



Please note that Cypress is an Infineon Technologies Company.

The document following this cover page is marked as “Cypress” document as this is the company that originally developed the product. Please note that Infineon will continue to offer the product to new and existing customers as part of the Infineon product portfolio.

Continuity of document content

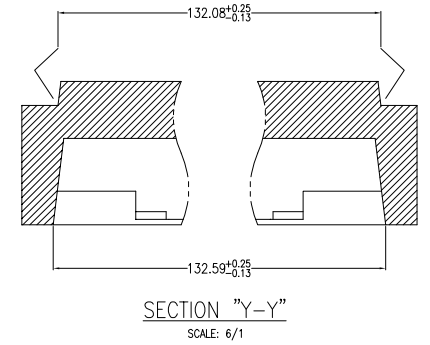
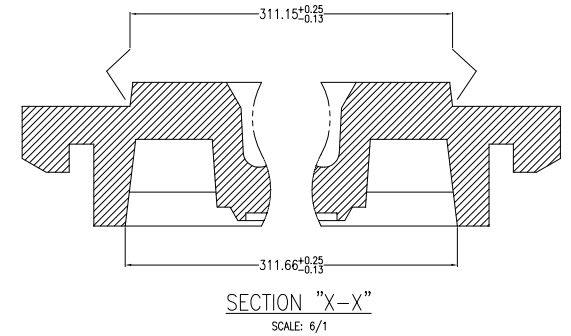
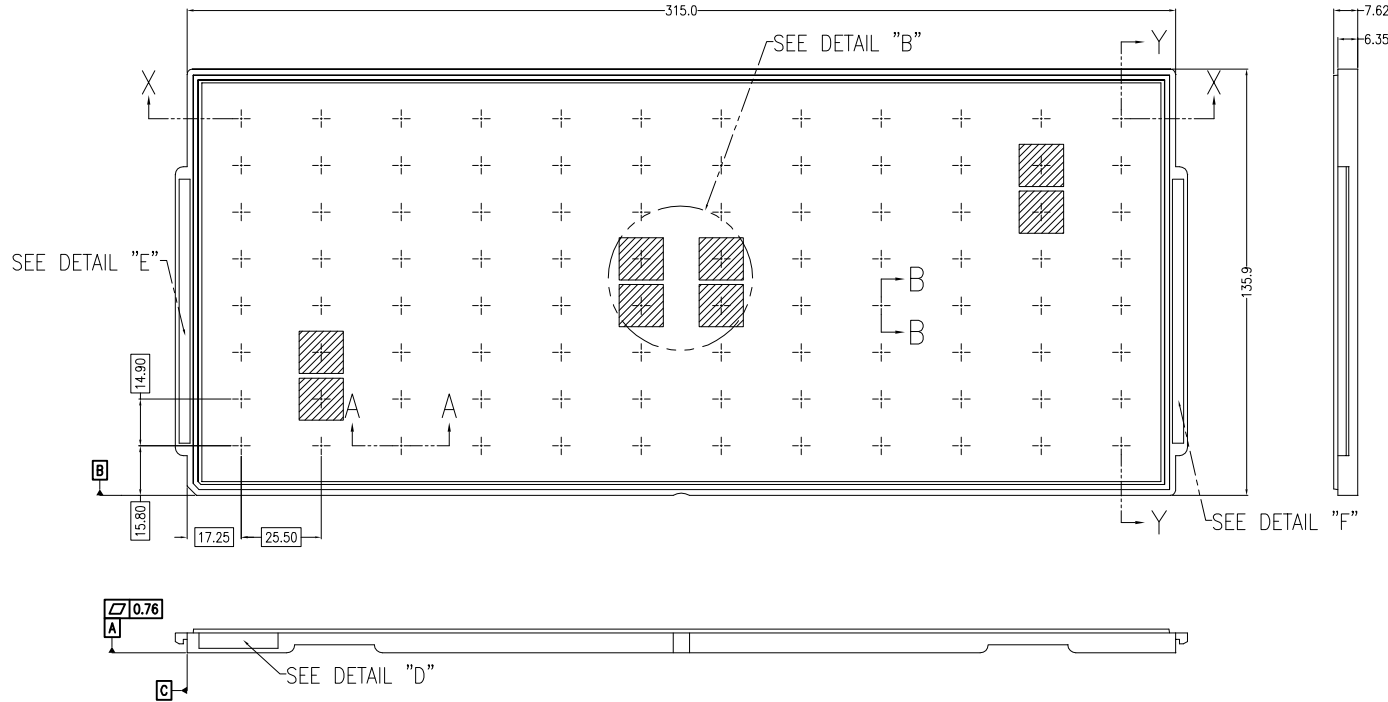
The fact that Infineon offers the following product as part of the Infineon product portfolio does not lead to any changes to this document. Future revisions will occur when appropriate, and any changes will be set out on the document history page.

Continuity of ordering part numbers

Infineon continues to support existing part numbers. Please continue to use the ordering part numbers listed in the datasheet for ordering.

- NOTE:
1. TRAYS MUST MEET ALL REQUIREMENTS OF AMKOR/ANAM # 01-0431-2283 PROCUREMENT SPEC FOR SHIPPING TRAY.
 2. BAKEABLE TRAYS ARE INTENDED TO BE CONTINUOUSLY BAKED FOR 48 HOURS AT THE BAKE TEMPERATURE AS SPECIFIED.
 3. TOTAL USEABLE CELL COUNT IS 96.
 4. TRAY VACUUM PICKUP METHOD REQUIRES A 28mm SQUARE (MINIMUM) WALLED PICKUP AREA, LOCATED AS CLOSE TO THE CENTER OF THE TRAY AS IS PRACTICABLE.
 5. CHAMFER DENOTES PACKAGE PIN#1 ORIENTATION.
 6. INTERPRET DIMENSIONS AND TOLERANCES IN ACCORDANCE WITH ASME Y14.5M-1994.
 7. CONTROLLING DIMENSIONS ARE IN MILLIMETERS.
 8. REVISION LETTER SHALL BE ENGRAVED TO THE RIGHT OF THE SID NUMBER ON SIDE OF TRAY AND SHALL BE CHANGED IN ALPHABETICAL ORDER (A~Z) WHEN ANY CHANGE OF DIMENSIONS, DESIGNS AND/OR MATERIAL PROPERTIES OCCUR.
 9. ESD-SURFACE RESISTIVITY SHALL BE $\geq 1 \times 10^5 < 1 \times 10^{12}$ OHMS/SQUARE PER EIA, JEDEC, ACH TRAY SPECIFICATIONS.
 10. MEETS JEDEC CO-020.

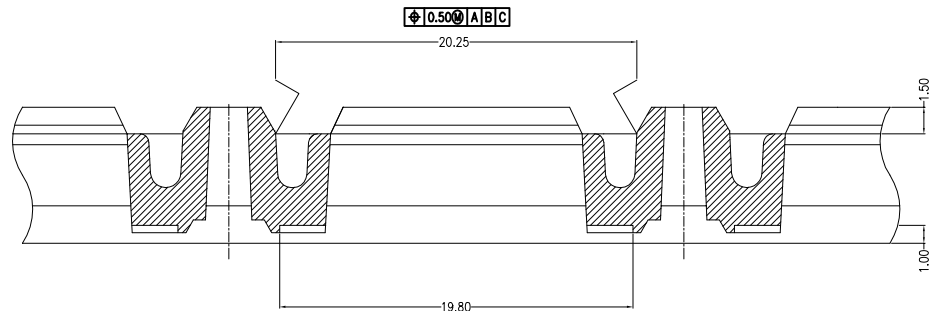
REVISIONS						
PAGE	ZONE	REV	ECN	DESCRIPTION	DATE	APPROVER
1	-	**	127565	NEW RELEASE	06/04/03	
1	-	*A	3277229	UPDATED DRAWING CHANGE DRAWING TEMPLATE	06/17/11	
1	-	*B	4605553	UPDATED DRAWING TEMPLATE	12/21/14	



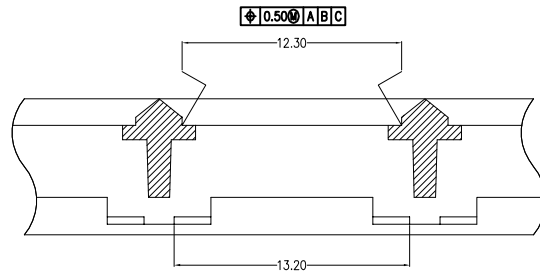
TRAY STACKING DETAIL

BAKEABLE	MODIFIED POLYPHENYLENE OXIDE (MPPO)	BLACK	1318841	B
BAKEABLE	MODIFIED POLY SULFONE (MPSU)	BLACK	1261665	B
BAKEABLE	POLY ETHER SULFONE (PES)	BLACK	1220314	B
NON-BAKEABLE	ACRYLONITRILE BUTADIENE STYRENE GLASS FILLED (ABS)	BLUE	1220322	B
DESCRIPTION	MATERIAL	COLOR	S.I.D. NBR	REV. LETTER

UNLESS OTHERWISE SPECIFIED ALL DIMENSIONS ARE IN MILLIMETERS STANDARD TOLERANCES ON: DECIMALS ± 0.25 .XX ± 0.10 .XXX ± 0.100 .XXXX ± 0.1500 ANGLES ± 0.5	DESIGNED BY	DATE		TITLE TRAY, TSOP48L (12x20MM)	SIZE A	PART NO. TZ48-*	DWG NO. 51-52106	REV *B
	DRAWN	DATE						
	CHK BY	DATE						
	APPROVED BY	DATE						
MATERIAL	APPROVED BY	DATE	DO NOT SCALE		SHEET 1 OF 2			
FINISH	SEE NOTE	UYO	12/21/14					

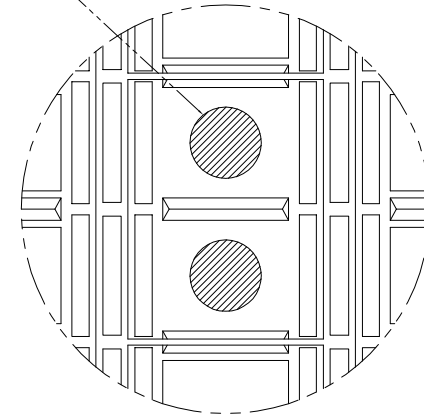


SECTION "A-A"
SCALE: 6/1



SECTION "B-B"
SCALE: 6/1

VACUUM PICKUP CELLS
8 PLACES (4 CENTER CELLS, 4 PERIPHERY CELLS)



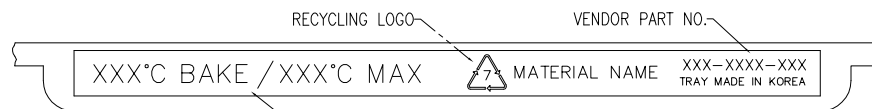
TOP VIEW
DETAIL "B"

TSOP 12X20 1.0T
XXXXXXX *

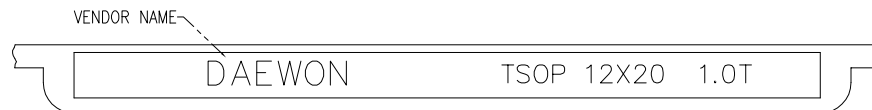
SID NBR

REVISION LETTER

DETAIL "D"



DETAIL "F"



DETAIL "E"

MATERIAL NAME	BAKE TEMP.
MPSU	125°C BAKE / 140°C MAX
PES	150°C BAKE / 180°C MAX
ABS	60°C MAX

TRAY COLOR	PART NUMBER
BLACK	TZ48-B
RED	TZ48-R

UNLESS OTHERWISE SPECIFIED ALL DIMENSIONS ARE IN MILLIMETERS STANDARD TOLERANCES ON: DECIMALS ± 0.25 .XX ± 0.25 .XXX ± 0.150 .XXXX ± 0.100 ANGLES ± 0.5	DESIGNED BY	DATE				
	DRAWN	DATE				
	CHEK BY	DATE				
	APPROVED BY	DATE				
MATERIAL	APPROVED BY	DATE	TITLE			
SEE NOTE	UYO	12/21/14	TRAY, TSOP48L (12x20MM)			
FINISH	SEE NOTE		SIZE	PART NO.	DWG NO	REV
			A	TZ48-*	51-52106	*B
			DO NOT SCALE			SHEET 2 OF 2