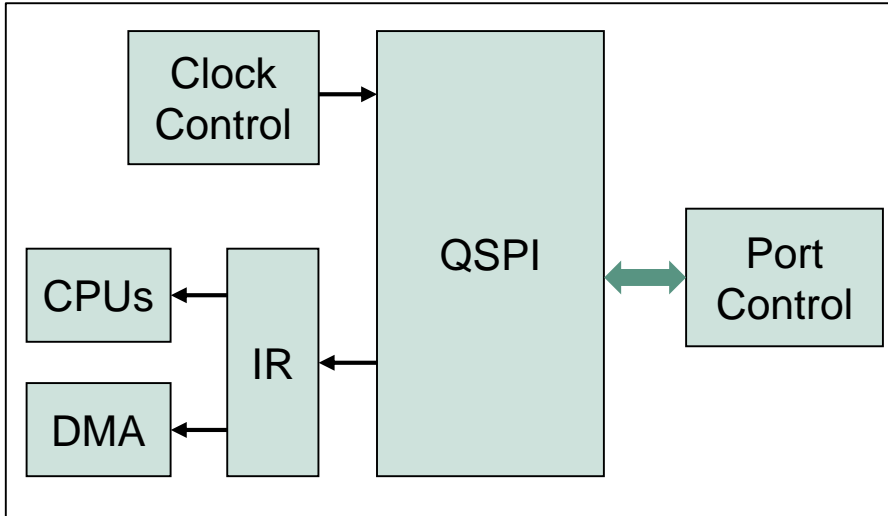


QSPI

Queued Synchronous Peripheral Interface

AURIX™ TC2xx Microcontroller Training
V1.0 2019-03





Highlights

QSPI module provides synchronous serial communication with external devices using clock, data-in, data-out and slave select signals.

- > Master and Slave full duplex operation
- > Up to 50 Mbit/s

Key Features

Queue support

Flexible frame format

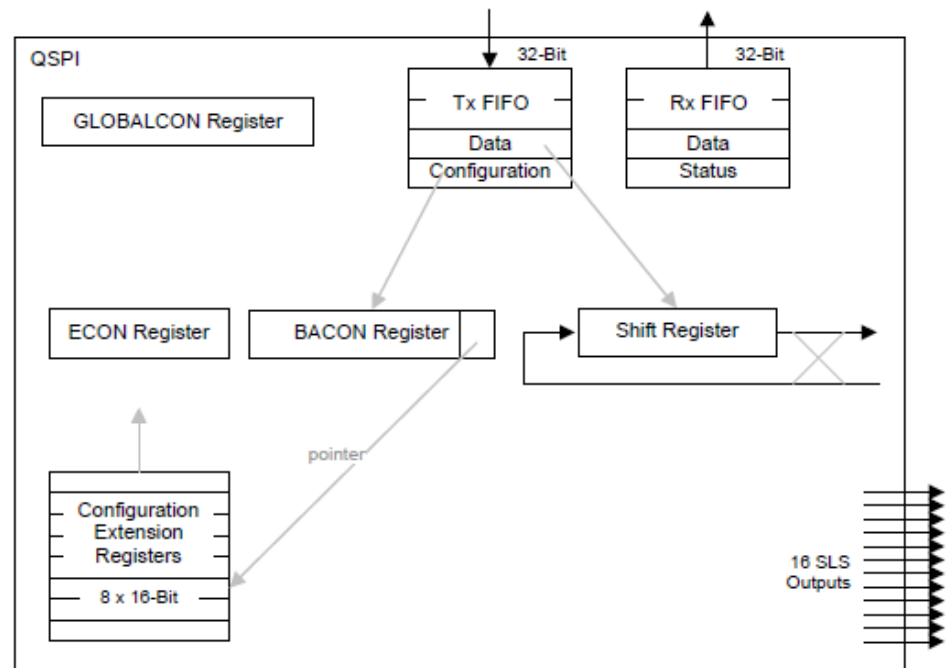
Customer Benefits

- > Configuration and data via the same Queue (Tx or Rx FIFO)
- > Configurable shift direction, clock polarity and phase

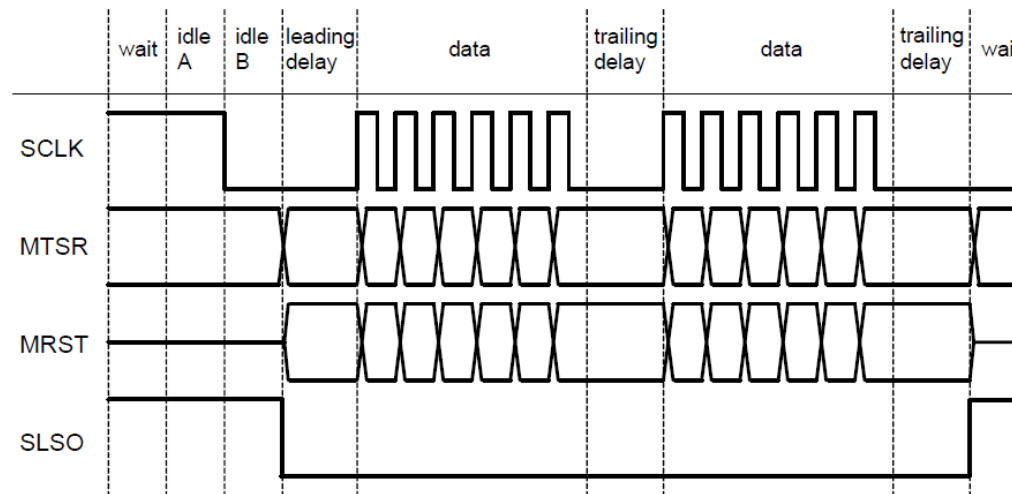
QSPI

Queue support

- › The Tx-FIFO could keep the data to be sent and additionally the configuration data for the SPI module
- › This enables dynamic and comfortable switching of SPI frame timings and data configuration independent for each channel:
 - Data length
 - LSB/MSB shift first
 - Clock polarity and clock phase
 - Flexible baud rates and delays
 - Parity Type
 - Flexible frame length



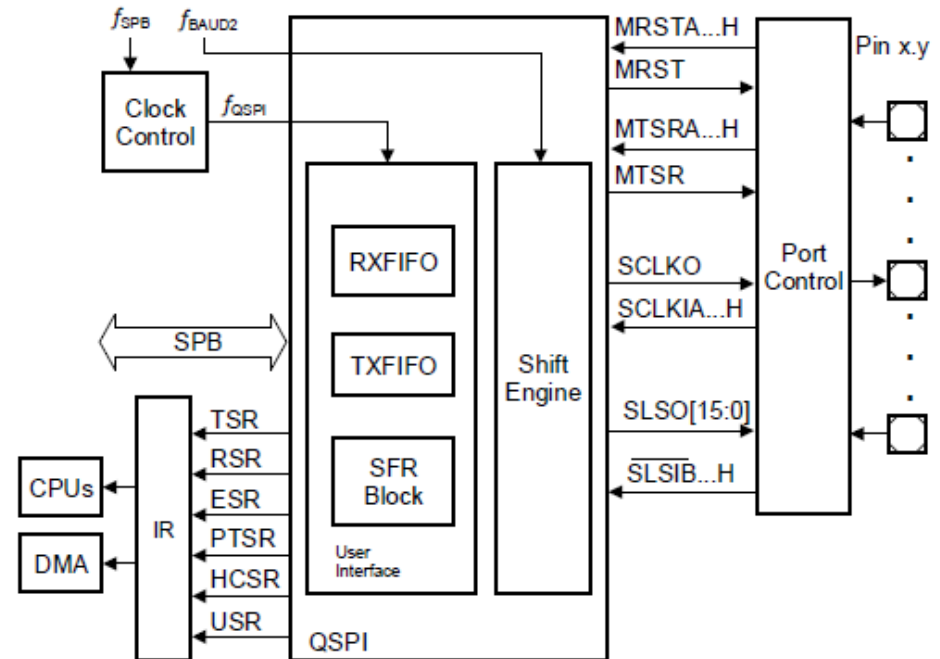
- › Programmable number of data bits: 2 to 32 data bits (plus parity: 3 to 33 bits)
- › 4 to 32 data bits possible for 50 Mbit/s
- › Programmable shift direction: LSB or MSB shift first
- › Programmable clock polarity: Idle low or idle high state for the shift clock
- › Programmable clock phase: data shift with leading or trailing edge of the shift clock
- › Flexible baud rate and delays (leading, trailing, idle) generation



QSPI

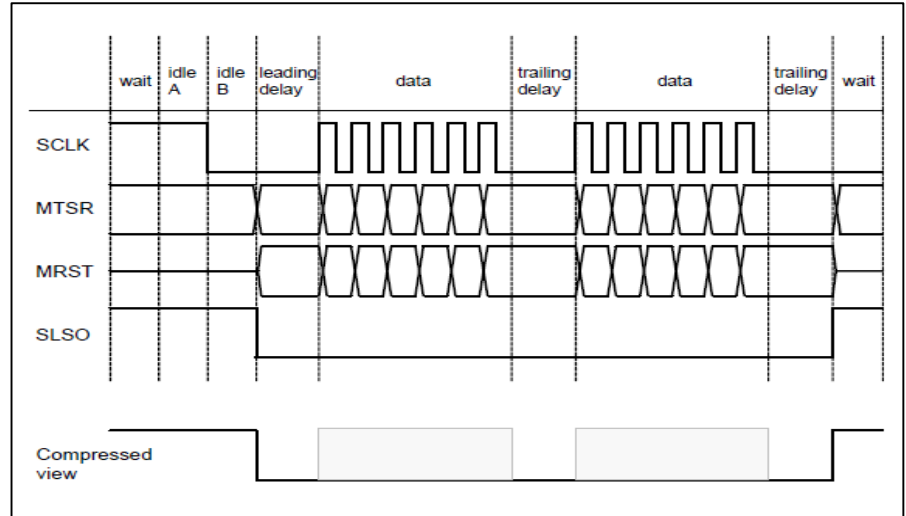
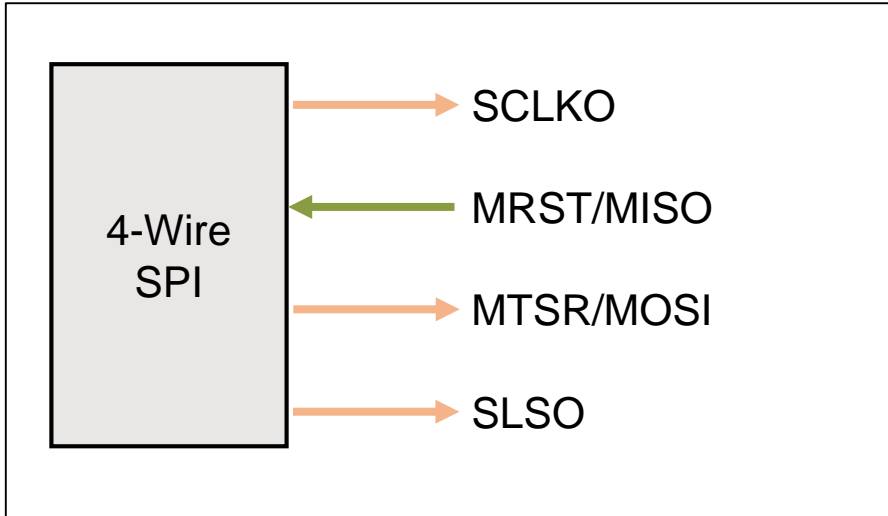
System integration

- › FIFOs can be handled by DMA controller
- › Interrupt generation on
 - transmitter FIFO event
 - receiver FIFO event
 - error condition
 - phase transition
- › Seven slave select inputs SLSI in Slave Mode
- › Sixteen programmable slave select outputs SLSO in Master Mode



Application example

SPI master



Overview

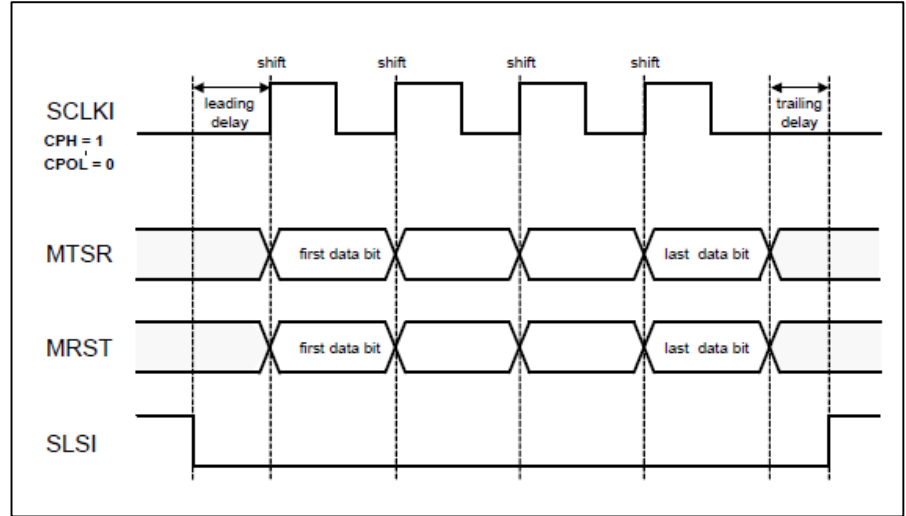
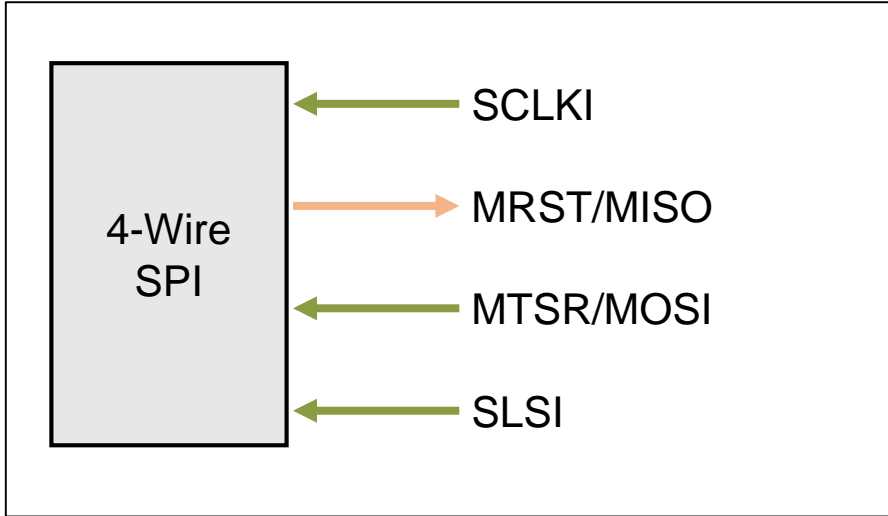
- › Typical 4-wire SPI Master communication
- › Support for Full-duplex, Half-duplex and Simplex modes

Advantages

- › Full configuration of Idle, Leading and Trailing delays
- › Flexible timing control allows to program the duty cycle and the sampling point properties of the serial clock

Application Example

SPI slave



Overview

- > Typical 4-wire SPI Slave communication
- > Support for Full-duplex, Half-duplex and Simplex modes

Advantages

- > Easy configuration with shift clock phase and polarity

Trademarks

All referenced product or service names and trademarks are the property of their respective owners.

Edition 2019-03

Published by

**Infineon Technologies AG
81726 Munich, Germany**

**© 2019 Infineon Technologies AG.
All Rights Reserved.**

Do you have a question about this document?

Email: erratum@infineon.com

Document reference

AURIX_Training_1_

Queued_Synchronous_Peripheral_Interface

IMPORTANT NOTICE

The information given in this document shall in no event be regarded as a guarantee of conditions or characteristics (“Beschaffenheitsgarantie”).

With respect to any examples, hints or any typical values stated herein and/or any information regarding the application of the product, Infineon Technologies hereby disclaims any and all warranties and liabilities of any kind, including without limitation warranties of non-infringement of intellectual property rights of any third party.

In addition, any information given in this document is subject to customer’s compliance with its obligations stated in this document and any applicable legal requirements, norms and standards concerning customer’s products and any use of the product of Infineon Technologies in customer’s applications.

The data contained in this document is exclusively intended for technically trained staff. It is the responsibility of customer’s technical departments to evaluate the suitability of the product for the intended application and the completeness of the product information given in this document with respect to such application.

For further information on the product, technology, delivery terms and conditions and prices please contact your nearest Infineon Technologies office (www.infineon.com).

WARNINGS

Due to technical requirements products may contain dangerous substances. For information on the types in question please contact your nearest Infineon Technologies office.

Except as otherwise explicitly approved by Infineon Technologies in a written document signed by authorized representatives of Infineon Technologies, Infineon Technologies’ products may not be used in any applications where a failure of the product or any consequences of the use thereof can reasonably be expected to result in personal injury.