

GPT12

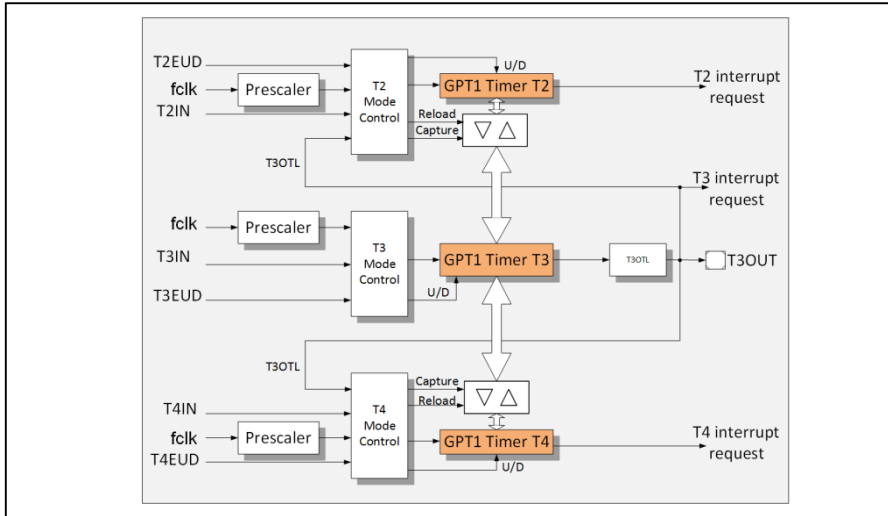
General Purpose Timer Unit

AURIX™ TC2xx Microcontroller Training
V1.0 2019-03



GPT12

General Purpose Timer Unit



Highlights

- > The General Purpose Timer Unit (GPT12) is used for timing, event counting, pulse width measurement and pulse generation
- > The five 16 bit timers are grouped in two timer blocks GPT1 and GPT2

Key Features

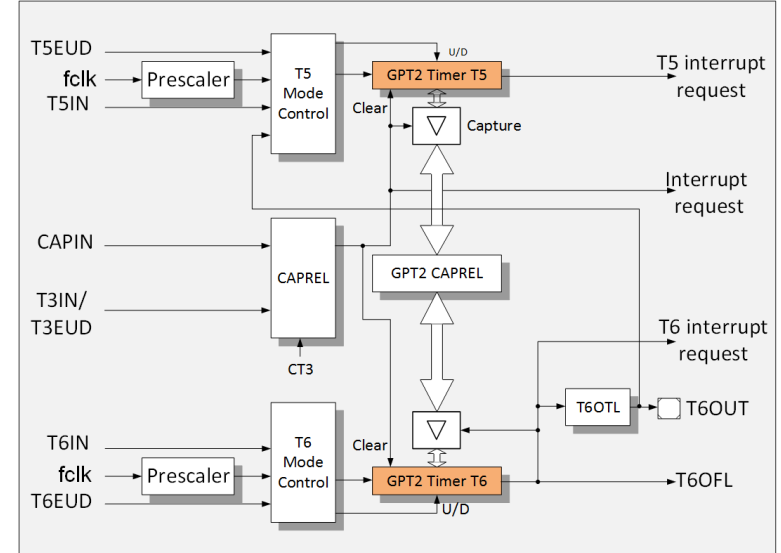
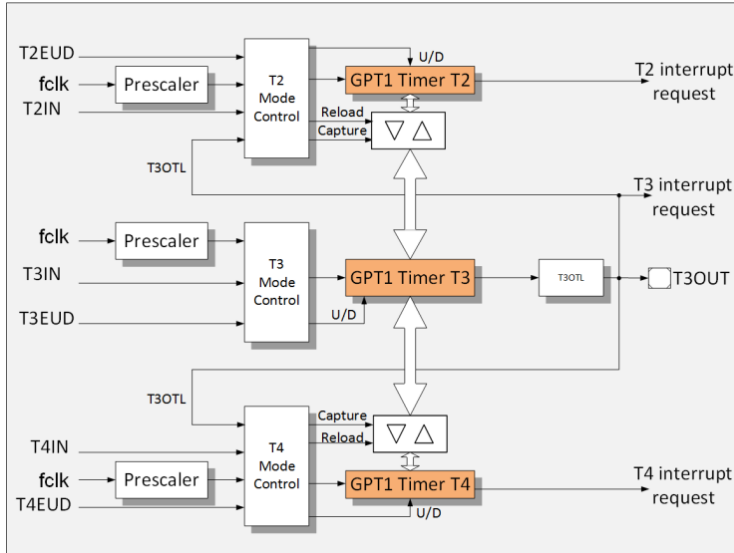
Each timer/counter generates interrupt request

Incremental interface mode

Customer Benefits

- > Fits perfectly to eMotor applications with encoder
- > Easy control of applications that include encoders

Each timer/counter generates interrupt request



› Separate Interrupt for each timer

- GPT1

- Each timer generates a separate interrupt request

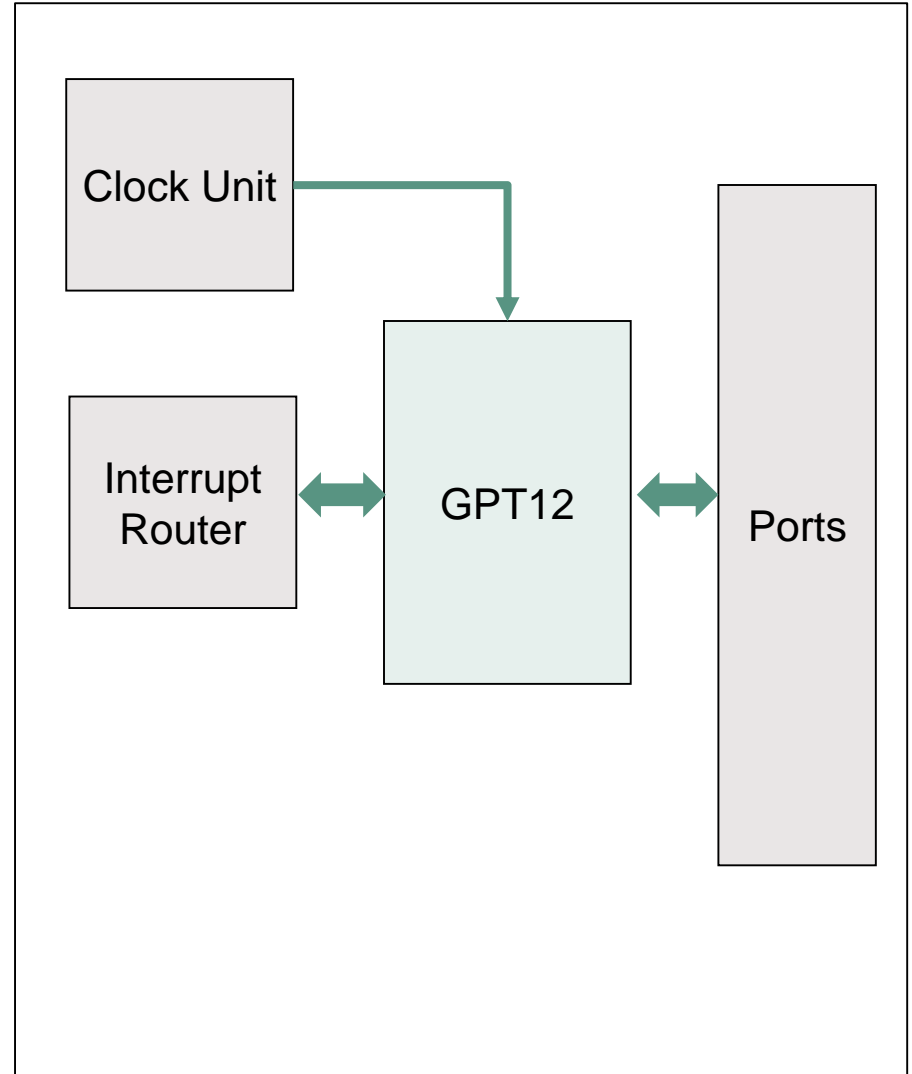
- GPT2

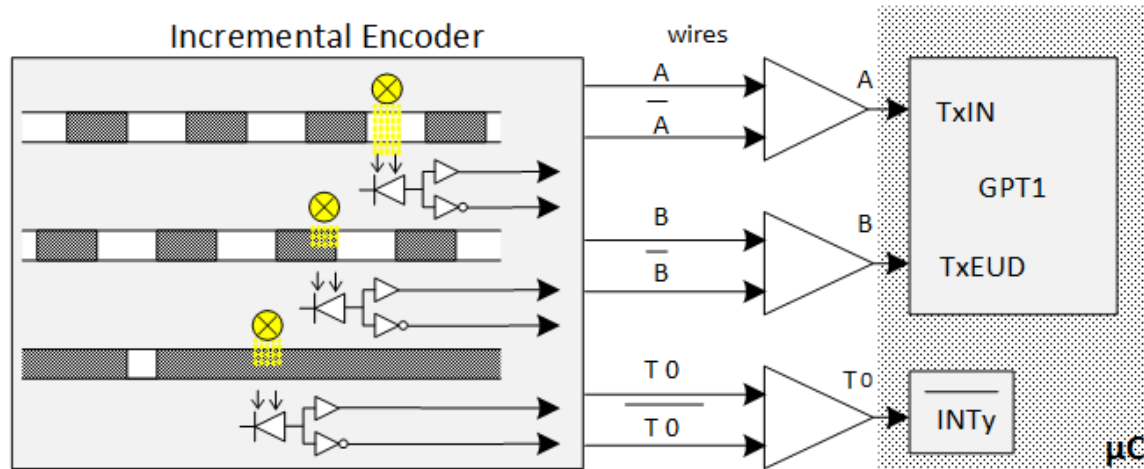
- Timer T5 and Timer T6 generates a separate interrupt request
- Ext. transition detection interrupt request (CAPIN)

Incremental interface mode

- › For low rotational speeds:
 - interrupt generation for each detected edge
 - can be used to capture elapsed time and start speed control algorithm
- › Detection of the rotational direction:
 - status bit indicating the current direction
 - can be easily used to reset / load the counter in the case of a T0 event (mechanical zero position of a motor)
 - status bit indicating a direction change
 - interrupt generation allows faster reaction in case of a direction change
- › Status flags are independent from interrupt generation, therefore control of GPT12 can be done without interrupts

- › The General Purpose Timer Unit blocks (GPT1 and GPT2) have very flexible multifunctional timer structures, which can be used for timing, event counting, pulse width measurement, etc.
- › Each block has alternate input/output functions and specific interrupts associated to them
- › Each timer of this module has an input pin assigned, which serves as the gate control or the count input. Moreover, T3 and T6 have an output pin associated for Output Toggle Latch





Overview

Mounted with an encoder, the motor delivers three signals (A,B,T0).
Two of them (A, B) provide a square wave signal with a 90 degree phase shift.
The third one (T0) generates once per revolution a short pulse for synchronization.

Advantages

- > The exact position of the rotor position of a motor can be delivered to apply the right commutation pattern
- > The timer of the GPT1 supply the exact position value to the application without additional software

Trademarks

All referenced product or service names and trademarks are the property of their respective owners.

Edition 2019-03

Published by

**Infineon Technologies AG
81726 Munich, Germany**

**© 2019 Infineon Technologies AG.
All Rights Reserved.**

Do you have a question about this document?

Email: erratum@infineon.com

Document reference

AURIX_Training_1_

General_Purpose_Timer_Unit

IMPORTANT NOTICE

The information given in this document shall in no event be regarded as a guarantee of conditions or characteristics (“Beschaffenheitsgarantie”).

With respect to any examples, hints or any typical values stated herein and/or any information regarding the application of the product, Infineon Technologies hereby disclaims any and all warranties and liabilities of any kind, including without limitation warranties of non-infringement of intellectual property rights of any third party.

In addition, any information given in this document is subject to customer’s compliance with its obligations stated in this document and any applicable legal requirements, norms and standards concerning customer’s products and any use of the product of Infineon Technologies in customer’s applications.

The data contained in this document is exclusively intended for technically trained staff. It is the responsibility of customer’s technical departments to evaluate the suitability of the product for the intended application and the completeness of the product information given in this document with respect to such application.

For further information on the product, technology, delivery terms and conditions and prices please contact your nearest Infineon Technologies office (www.infineon.com).

WARNINGS

Due to technical requirements products may contain dangerous substances. For information on the types in question please contact your nearest Infineon Technologies office.

Except as otherwise explicitly approved by Infineon Technologies in a written document signed by authorized representatives of Infineon Technologies, Infineon Technologies’ products may not be used in any applications where a failure of the product or any consequences of the use thereof can reasonably be expected to result in personal injury.