

UG-2024-02 EVAL-2EP130R-PR evaluation board

User guide

EiceDRIVER™ Power EVAL-2EP130R-PR

Full-bridge transformer driver for isolated gate driver power supply for IGBT and MOSFETs

About this document

Scope and purpose

This user guide is intended to provide information about the Infineon evaluation board EiceDRIVER™ Power EVAL-2EP130R-PR. It describes the start-up, measurements, and parameter adjustments of the 2EP1xxR (2EP100R, 2EP101R, 2EP110R, and 2EP130R) product family. The 2EP1xxR is a full-bridge transformer driver IC to design isolated gate driver supplies for IGBT and SiC MOSFETs.

Intended audience

This document is intended for electrical engineers who are knowledgeable about isolated gate driver supply with open loop architecture.

Evaluation board

This board is used for evaluating and measuring 2EP130R.

This user guide is intended to help adapt the evaluation board EVAL-2EP130R-PR to the supply needs of a large variety of switches. The board supports isolated supply voltages for two gate driver ICs, for example, a high-side and a low-side gate driver IC.

Note: *The PCB and auxiliary circuits are NOT optimized for final customer design.*

Important notice**Important notice**

“Evaluation Boards and Reference Boards” shall mean products embedded on a printed circuit board (PCB) for demonstration and/or evaluation purposes, which include, without limitation, demonstration, reference and evaluation boards, kits and design (collectively referred to as “Reference Board”).

Environmental conditions have been considered in the design of the Evaluation Boards and Reference Boards provided by Infineon Technologies. The design of the Evaluation Boards and Reference Boards has been tested by Infineon Technologies only as described in this document. The design is not qualified in terms of safety requirements, manufacturing and operation over the entire operating temperature range or lifetime.

The Evaluation Boards and Reference Boards provided by Infineon Technologies are subject to functional testing only under typical load conditions. Evaluation Boards and Reference Boards are not subject to the same procedures as regular products regarding returned material analysis (RMA), process change notification (PCN) and product discontinuation (PD).

Evaluation Boards and Reference Boards are not commercialized products, and are solely intended for evaluation and testing purposes. In particular, they shall not be used for reliability testing or production. The Evaluation Boards and Reference Boards may therefore not comply with CE or similar standards (including but not limited to the EMC Directive 2004/EC/108 and the EMC Act) and may not fulfill other requirements of the country in which they are operated by the customer. The customer shall ensure that all Evaluation Boards and Reference Boards will be handled in a way which is compliant with the relevant requirements and standards of the country in which they are operated.

The Evaluation Boards and Reference Boards as well as the information provided in this document are addressed only to qualified and skilled technical staff, for laboratory usage, and shall be used and managed according to the terms and conditions set forth in this document and in other related documentation supplied with the respective Evaluation Board or Reference Board.

It is the responsibility of the customer’s technical departments to evaluate the suitability of the Evaluation Boards and Reference Boards for the intended application, and to evaluate the completeness and correctness of the information provided in this document with respect to such application.

The customer is obliged to ensure that the use of the Evaluation Boards and Reference Boards does not cause any harm to persons or third party property.

The Evaluation Boards and Reference Boards and any information in this document is provided "as is" and Infineon Technologies disclaims any warranties, express or implied, including but not limited to warranties of non-infringement of third party rights and implied warranties of fitness for any purpose, or for merchantability.

Infineon Technologies shall not be responsible for any damages resulting from the use of the Evaluation Boards and Reference Boards and/or from any information provided in this document. The customer is obliged to defend, indemnify and hold Infineon Technologies harmless from and against any claims or damages arising out of or resulting from any use thereof.

Infineon Technologies reserves the right to modify this document and/or any information provided herein at any time without further notice.

Safety precautions

Safety precautions

Note: Please note the following warnings regarding the hazards associated with development systems.

Table 1 Safety precautions

	<p>Warning: The isolated output voltages provide a creepage/clearance of 4 mm between output 1 and output 2. Ensure proper protection and coverage in case of use for voltages above SELV level.</p>
	<p>Warning: The input to output isolation is built for reinforced applications. However the board has not a hipot-test and can therefore not be declared as proven reinforced isolation.</p>
	<p>Warning: Remove or disconnect power from the drive before you disconnect or reconnect wires, or perform maintenance work. Wait five minutes after removing power to discharge the bus capacitors. Do not attempt to service the drive until the bus capacitors have discharged to zero. Failure to do so may result in personal injury or death.</p>
	<p>Caution: The heat sink and device surfaces of the evaluation or reference board may become hot during testing. Hence, necessary precautions are required while handling the board. Failure to comply may cause injury.</p>
	<p>Caution: Only personnel familiar with the drive, power electronics and associated machinery should plan, install, commission and subsequently service the system. Failure to comply may result in personal injury and/or equipment damage.</p>
	<p>Caution: The evaluation or reference board contains parts and assemblies sensitive to electrostatic discharge (ESD). Electrostatic control precautions are required when installing, testing, servicing or repairing the assembly. Component damage may result if ESD control procedures are not followed. If you are not familiar with electrostatic control procedures, refer to the applicable ESD protection handbooks and guidelines.</p>
	<p>Caution: A drive that is incorrectly applied or installed can lead to component damage or reduction in product lifetime. Wiring or application errors such as undersizing the motor, supplying an incorrect or inadequate AC supply, or excessive ambient temperatures may result in system malfunction.</p>
	<p>Caution: The evaluation or reference board is shipped with packing materials that need to be removed prior to installation. Failure to remove all packing materials that are unnecessary for system installation may result in overheating or abnormal operating conditions.</p>

Table of contents

	About this document	1
	Important notice	2
	Safety precautions	3
	Table of contents	4
1	The board at a glance	5
2	System and functional description	8
2.1	Theory of 2EP1xxR using peak rectification topology	8
2.2	Getting started	10
2.3	Resistor based operating parameter adjustment	11
2.4	Bypass mode operation	12
2.5	Use case: SiC MOSFET supply example	12
3	System design	14
3.1	Schematics	14
3.2	Layout	14
3.3	Bill of material	15
3.4	Connector details	15
4	System performance	17
5	Additional information	21
	Revision history	22
	Disclaimer	23

1 The board at a glance

1 The board at a glance

This user guide (UG-2024-02) describes the evaluation board, EVAL-2EP130R-PR. This board has been designed as a validation board that can be used by design engineers to evaluate the family of full-bridge transformer driver ICs – 2EP1xxR.

The board is partially populated and needs final assembly at the position R3 and TR1 according to the target configuration of the output voltage.

Details about the transformer driver IC is available in the datasheet of the EiceDRIVER™ Power 2EP1xxR family.

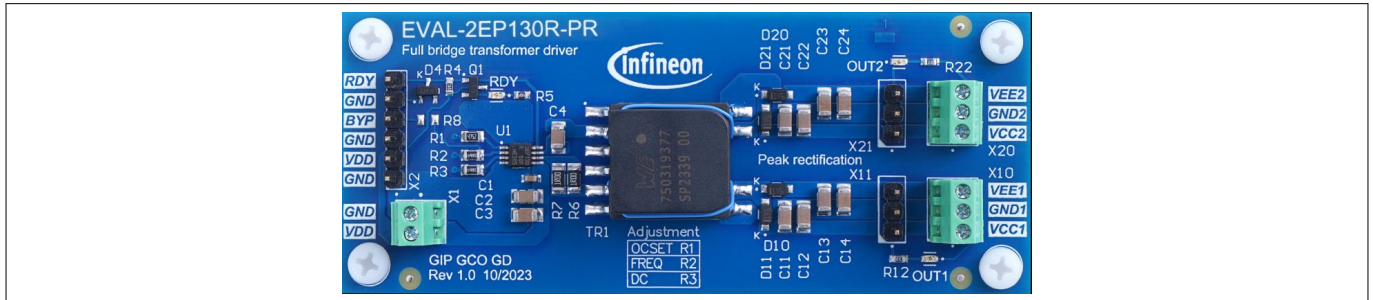


Figure 1 Evaluation board EVAL-2EP130R-PR

This image includes the originally not assembled components R3 and TR1.

Delivery content

The delivery contains:

- One EVAL-2EP130R-PR, 90 × 37 mm² in size
- Three transformers for custom assembly at position TR1
 - WE 750319375: TTR=1.25:1, with VDD=15 V, DC=33% provides +15/-7.5 V for IGBTs
 - WE 750319376: TTR=1.5:1, with VDD=15 V, DC=22% provides +15/-4 V for SiC MOSFETs
 - WE 750319377: TTR=1.4:1, with VDD=15 V, DC=14% provides +18/-2.5 V for SiC MOSFETs

Simplified schematic

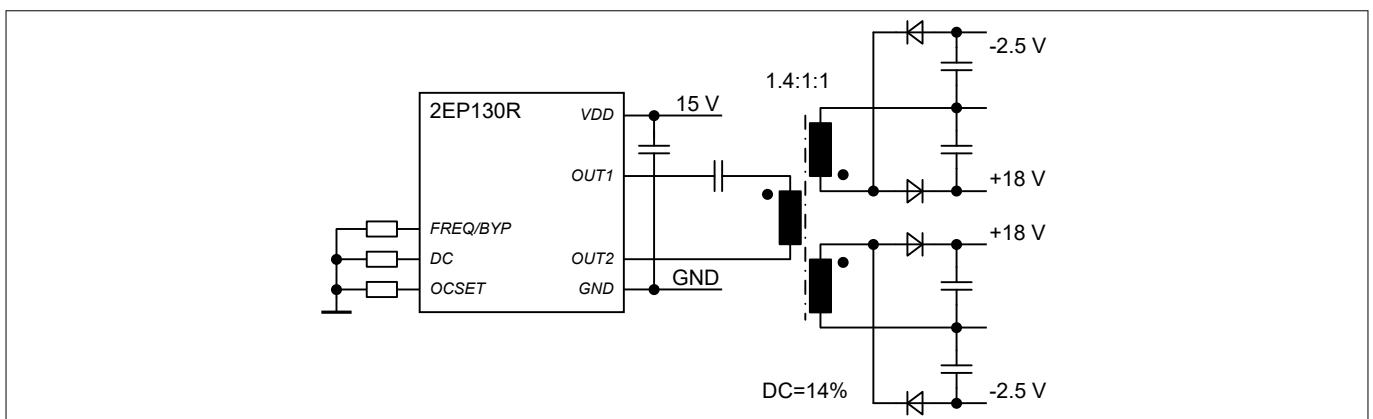


Figure 2 Peak rectifier schematic for 2EP130R

This simplified schematic shows the peak rectification for two separated rails, each with a positive and negative output voltage.

Main features

The evaluation board, EVAL-2EP130R-PR, is designed for easy evaluation of the full-bridge transformer driver IC. The following table shows the product variants in the EiceDRIVER™ Power 2EP1xxR family and their differentiating features.

1 The board at a glance

Table 2 2EP1xxR product variants

Product name	Frequency	Duty cycle	Average overcurrent protection	Bypass input
2EP100R	66 kHz or 100 kHz	33% or 50%	Level 4	no
2EP101R	50 kHz or 66 kHz	12% or 17%	Level 4	no
2EP110R	50 kHz or 66 kHz	10% .. 50%	Level 4	no
2EP130R	50 kHz .. 695 kHz	10% .. 50%	Level 1-5	yes

All product variants are pin compatible and can be used with matching configuration settings in customer-specific designs. 2EP130R is pre-assembled on EVAL-2EP130R-PR for complete feature evaluation.

The evaluation board provides all the necessary supply, load, and signal connections for an application. It offers the following features:

- Wide input supply range V_{VDD} from 5 V to 20 V
- Output power of up to 5 W (depending on duty cycle)
- Dual isolated output supply rails with peak rectification topology and duty cycle adjustable output voltage ratio
- Wide frequency operating range from 50 kHz to 695 kHz using the internal oscillator or an external pulse width modulation (PWM)
- Adjustable overcurrent threshold
- Short circuit protection of power outputs
- Overtemperature protection
- *RDY* status output indication for normal operation

Board parameters and technical data

Parameters of the evaluation board, EVAL-2EP130R-PR, must respect the absolute maximum ratings listed below and should be operated within the recommended operating range.

Table 3 Absolute maximum ratings

Parameter	Symbol	Values		Unit	Note/conditions
		Min	Max		
Supply voltage	V_{VDD}	0	22	V	Referenced to <i>GND</i>
Positive output voltage	V_{VCC1}, V_{VCC2}	0	35	V	Limited by capacitor and diode voltage rating, referenced to <i>GND1/GND2</i>
Negative output voltage	V_{VEE1}, V_{VEE2}	-35	0	V	Limited by capacitor and diode voltage rating, referenced to <i>GND1/GND2</i>
Input to output/between output rails	V_{ISO}	-800	800	V	Functional isolation, no HiPot test performed
Output current	$I_{VCC1}, I_{VCC2}, I_{VEE1}, I_{VEE2}$	2	400	mA	Depending on configuration, limited by IC
<i>RDY</i> sink current	I_{RDY}	0	10	mA	Referenced to <i>GND</i>
<i>RDY</i> voltage	V_{RDY}	0	6.5	V	Referenced to <i>GND</i>

1 The board at a glance

Table 4 Recommended operating range

Parameter	Symbol	Values		Unit	Note/conditions
		Min	Max		
Supply voltage	V_{DD}	5	20	V	Referenced to <i>GND</i> , depending on configuration
Positive output voltage	V_{VCC1}, V_{VCC2}	0	35	V	Limited by capacitor and diode voltage rating, referenced to <i>GND1/GND2</i>
Negative output voltage	V_{VEE1}, V_{VEE2}	-35	0	V	Limited by capacitor and diode voltage rating, referenced to <i>GND1/GND2</i>
Bypass signal voltage	V_{BYP}	0	5.5	V	Referenced to <i>GND</i>
Bypass signal frequency	f_{BYP}	50	695	kHz	Transformer and duty-cycle dependent
Output current	$I_{VCC1}, I_{VCC2}, I_{VEE1}, I_{VEE2}$	2 ¹⁾	150	mA	Depending on configuration, limited by IC
<i>RDY</i> sink current	I_{RDY}	0	10	mA	Referenced to <i>GND</i>

1) Minimal load for stable operation

2 System and functional description

2 System and functional description

2.1 Theory of 2EP1xxR using peak rectification topology

This section describes the theory behind the full-bridge power stage of 2EP1xxR and the peak rectification topology to provide two isolated output voltages. Each transformer output winding supports a positive and negative output voltage. The ratio between the positive voltage and negative voltage is defined by the duty cycle.

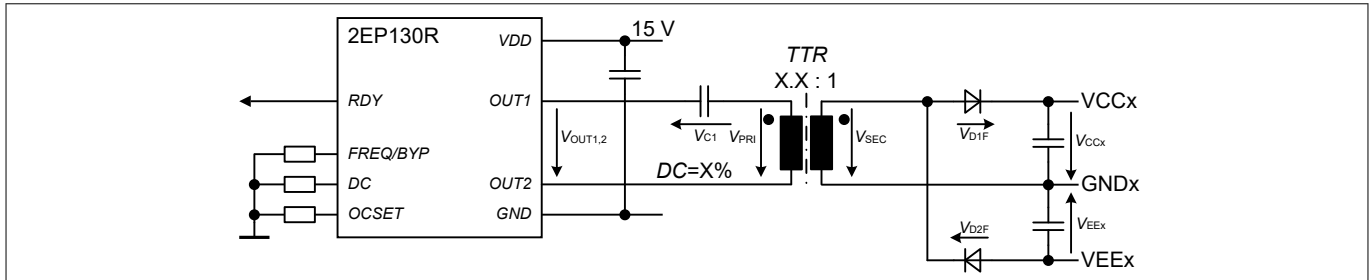


Figure 3 Simplified schematic of 2EP130R using peak rectification topology

The voltage arrows indicate the polarity of the corresponding symbol for use in the equations provided later. V_{PRI} and V_{SEC} represent the transformer voltages, V_{DXF} the individual diode forward voltages, V_{C1} the voltage across the primary DC blocking capacitor, and V_{CCX}/V_{EEEx} the output voltage.

The following sections describe how to determine the output voltages of a peak rectification according to:

- the applied input voltage to 2EP
- the applied duty cycle by chopping the input voltage
- the level-shift (offset) of the serial capacitor
- the transformer turn ratio
- the peak current rectification

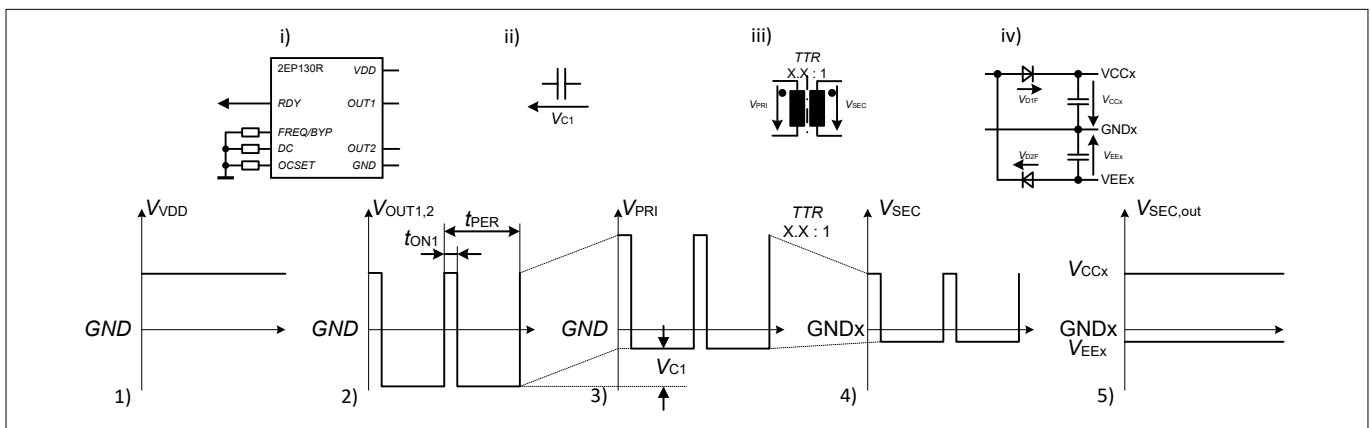


Figure 4 DC offset voltage and influence of transformer turn ratio output voltage

The figure visualizes the idealized voltage wave forms at each step (1-5) and the involved components at the intermediate step (i-iv). The input supply voltage V_{VDD} (1) is applied to 2EP130R (i). It provides the output voltage $V_{OUT1,2}$ (2) to the serial capacitor (ii). This results in the shifted input voltage V_{PRI} (3) for the transformer (iii). The transformer scales the input voltage to the secondary side as V_{SEC} (4). The last step is peak current rectification (iv) and its output voltages (5).

Full-bridge transformer driver 2EP130R

2EP130R chops the applied supply voltage, V_{VDD} , according to the configured switching frequency and duty cycle (DC). The output of $OUT1$ is switched between V_{DD} and GND . The same is valid for $OUT2$. However, its

2 System and functional description

switching pattern is inverted. This results in twice the amplitude of V_{VDD} across the outputs $V_{OUT1,2}$ or with a GND reference:

$$V_{OUT1,2} = \pm V_{VDD}$$

The duty cycle is calculated as: $DC = \frac{t_{ON1}}{t_{PER}}$ with the on duration of output 1, t_{ON1} , and the period time, t_{PER} , of the switching frequency. The duty cycle for $OUT2$ always complements that of $OUT1$. The duty cycle always refers to $OUT1$.

Serial capacitor C_1

The serial capacitor creates an offset derived from the duty cycle. The DC offset voltage, V_{C1} , is therefore an integral component for calculating output voltages. The capacitor voltage level during steady state operation is calculated as:

$$V_{C1} = V_{VDD} \left(1 - \frac{2 \cdot DC}{100\%} \right)$$

The offset voltage V_{C1} varies between 80% of V_{VDD} at 10% and 0% of V_{VDD} at 50% duty cycle. Since 2EP130R only allows duty cycles between 10% to 50%, the resulting offset voltage is positive according to its indicated polarity. Any waveform with a duty cycle not equal to 50% has a DC offset voltage component. The serial capacitor basically removes the direct component from the chopped supply voltage. Due to this, the asymmetric duty cycle converts the symmetric peak, $V_{OUT1,2}$, into asymmetric peak voltages:

$$V_{RPI} = \pm V_{VDD} + V_{C1}$$

The primary transformer voltage alternates between $(+V_{VDD} + V_{C1})$ and $(-V_{VDD} + V_{C1})$ due to the full-bridge output stage of 2EP130R and the aforementioned offset voltage stored within V_{C1} .

Transformer, transformer turn ratio (TTR), and transformer saturation

The transformer transforms the primary input voltage, V_{PRI} , according to the transformer turn ratio (TTR) to the secondary side. The secondary transformer voltage, V_{SEC} , is calculated as:

$$V_{SEC} = \frac{V_{PRI}}{TTR} = \pm \frac{V_{DD}}{TTR} + \frac{V_{C1}}{TTR}$$

The aforementioned V_{C1} offset voltage ensures an equal voltage * time product below and above ground potential for the primary winding. This equal voltage * time product prevents the transformer from saturating, even when driven with asymmetric peak voltages.

Peak current rectification

Due to the diodes in the peak rectification circuit, individual current paths must be considered separately. The matching voltage polarity of the secondary transformer voltage should be taken into account when calculating the expected output capacitor voltages.

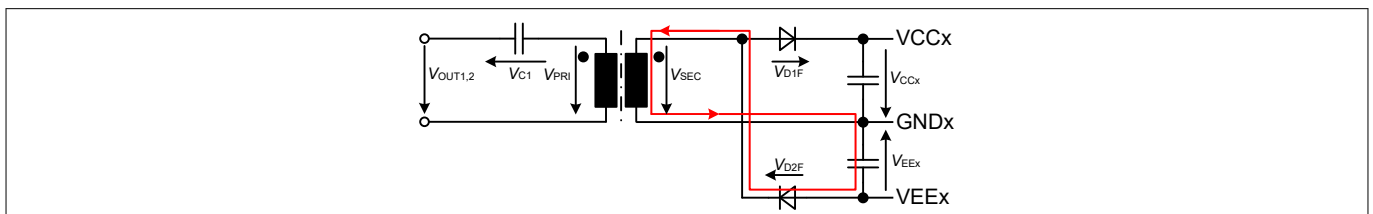


Figure 5 Current path of negative voltage rail

The current path to charge the negative voltage rail requires V_{SEC} to be in reverse polarity. The current charges the negative output voltage capacitor and closes the circuit via the diode, D_2 , in forward direction resulting in the V_{D2F} voltage drop.

The negative output voltage then results in: $V_{EEX} = V_{SEC(neg)} + V_{D2F}$

As the secondary transformer voltage is negative at that half-wave, the resulting output voltage is also negative, but reduced by the diode forward voltage.

The positive output voltage behaves similar to the negative output voltage.

2 System and functional description

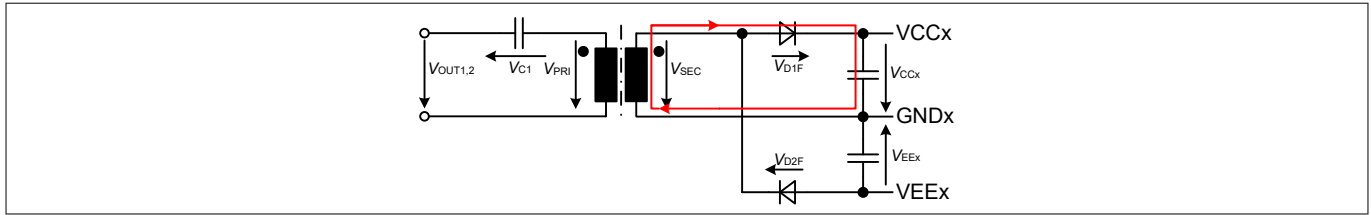


Figure 6 Current path of positive voltage rail

The current path to charge the positive voltage rail requires V_{SEC} to be in the indicated polarity (positive half-wave). The current charges the positive output voltage capacitor and closes the circuit via the diode, D1, in forward direction resulting in the V_{D1F} voltage drop.

The positive output voltage then results in: $V_{CCx} = V_{SEC(pos)} - V_{D1F}$

Both output voltages can be written as:

Assumption 1: All forward voltages are equal:

$$V_F = V_{D1F} = V_{D2F}$$

Assumption 2: Amplitudes of both the positive and negative half-waves experience the same offset:

$$V_{SEC} = \pm \frac{V_{DD}}{TTR} + \frac{V_{C1}}{TTR}$$

Positive output voltage:

$$V_{CCx} = \left(\frac{V_{DD}}{TTR} + \frac{V_{C1}}{TTR} - V_F \right)$$

Negative output voltage:

$$V_{EEx} = - \left(\frac{V_{DD}}{TTR} - \frac{V_{C1}}{TTR} - V_F \right)$$

(1)

Note: Equal load at positive and negative voltage rails result in asymmetric currents for positive and negative half-waves. This can result in output voltages different from the ones calculated using the equations given in this section. When designing a peak rectifier circuit with dual output rails, use the same winding polarity for both rails to ensure that the offset gets applied in the same manner.

Inserting the V_{C1} equation into the output voltage equations results in:

Positive output voltage:

$$V_{CCx} = \frac{2 \cdot V_{VDD}}{TTR} (1 - DC) - V_F$$

Negative output voltage:

$$V_{EEx} = \frac{2 \cdot V_{VDD}}{TTR} (-DC) + V_F$$

(2)

2.2 Getting started

This section describes the prerequisites to fully assemble the evaluation board and how to power it up.

Prerequisites

1. Select a transformer and a matching duty cycle configuration resistor for the intended output voltages, see [Chapter 2.5](#)
2. Assemble the selected transformer at the position TR1.
3. Assemble the selected duty cycle configuration resistor at the position R3.

2 System and functional description

4. Verify the OCset level configuration of R1. The default is 5.
5. Verify the switching frequency configuration of R2. The default is 65 kHz, which is generated internally.

Steps to power up EVAL-2EP130R-PR with its default configuration

1. Connect a load to the isolated transformer output terminals of X10/X11 and X20/X21 connectors.
 - Consider the polarities of VCC1/GND1/VEE1 and VCC2/GND2/VEE2
 - The LEDs OUT1 and OUT2 also act as a minimal base load. Without any external load, the output voltages will be higher than calculated in [Chapter 2.5](#)
2. Connect a positive supply voltage between VDD and GND at the corresponding terminals of the X1/X2 connectors. Select the voltage according to the output voltage calculation.
3. The RDY LED indicates the ready status of 2EP130R.

After the supply voltage is applied at VDD, 2EP130R performs a soft start. The voltage at the isolated outputs increases and the RDY status LED lights up. If the status LED does not light up, the transformer driver is either not powered correctly, is still in the start-up mode (soft start), or is in the fault mode (overcurrent or overtemperature).

2.3 Resistor based operating parameter adjustment

2EP130R offers three input pins to configure the switching frequency, the duty cycle, and the average overcurrent protection during an operation.

- Resistor R1 sets the overcurrent threshold at pin OCSET; default: R1 = 47500 Ω, OCset level: 5
- Resistor R2 sets the frequency at pin FREQ/BYP; default: R2 = 698, switching frequency: 65 kHz
- Resistor R3 sets the duty cycle at pin DC; default: R3 is not assembled

You can use the following table to select an individual resistor value from the column **E96 series** and match it to OCSET, FREQ, and DC column values in the same row.

Table 5 Parameter adjustments of resistor value to functional value

Resistor	R1	R2	R3	Resistor	R1	R2	R3
E96 series	OCSET	FREQ	DC	E96 series	OCSET	FREQ	DC
Ω	–	kHz	%	Ω	–	kHz	%
332	1	50	10	5760	3	199	31
412	1	53	11	6980	3	213	32
499	1	57	12	8250	3	227	33
590	1	61	13	9530	4	243	34
698	1	65	14	11000	4	259	35
806	1	70	15	12700	4	277	36
931	1	74	16	14700	4	295	37
1070	1	79	17	16500	4	316	38
1210	2	85	18	18700	4	337	39
1370	2	90	19	21000	4	360	40
1540	2	97	20	23700	4	384	41
1740	2	103	21	26700	5	410	42
1960	2	110	22	30100	5	438	43
2210	2	118	23	34000	5	468	44
2490	2	126	24	38300	5	500	45

(table continues...)

2 System and functional description

Table 5 (continued) Parameter adjustments of resistor value to functional value

Resistor	R1	R2	R3	Resistor	R1	R2	R3
E96 series	OCSET	FREQ	DC	E96 series	OCSET	FREQ	DC
2800	2	134	25	42200	5	534	46
3160	3	143	26	47500	5	570	47
3480	3	153	27	52300	5	609	48
3920	3	163	28	57600	5	651	49
4320	3	175	29	63400	5	695	50
4750	3	186	30				

2.4 Bypass mode operation

2EP130R supports bypass mode operation. In this mode, 2EP130R follows an externally applied pulse width modulation (PWM) signal at *FREQ/BYP* pin for frequency and duty cycle during operation.

During start-up, the IC follows the internal soft start sequence. Therefore, the frequency and individual pulse length deviate from the externally applied PWM signal during the soft start. The applied switching frequency should be kept constant during start-up. The transformer driver syncs up with that frequency in the final moments of the start-up sequence. For further information, see EiceDRIVER™ 2EP1xxR family datasheet.

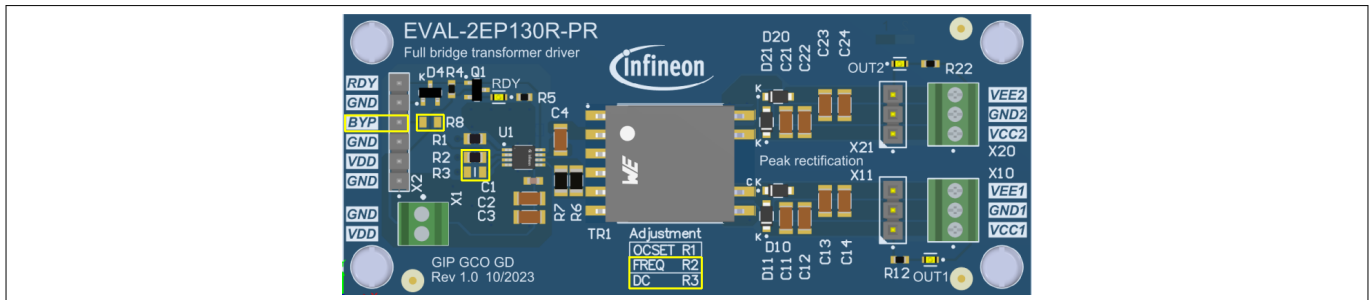


Figure 7 Modification for bypass mode operation

Modify the default assembly to operate the evaluation board in bypass mode:

- Resistor *R3* at *DC* pin: change to 0 Ω to enable bypass mode
- Resistor *R2* at *FREQ/BYP* pin: remove resistor
- Resistor *R8*: assemble a 0 Ω resistor to connect the *X2.BYP* pin to the *FREQ/BYP* pin

Ensure that the external frequency stays within the 2EP130R frequency, duty cycle, and voltage range.

2.5 Use case: SiC MOSFET supply example

The calculations in this section are based on the equations from Chapter 2.1. They have been re-arranged to calculate the duty cycle and transformer turn ratio (*TTR*) from the requested voltages. The purpose for this example is to get an output voltage suitable for SiC MOSFETs.

Application parameters (input)

- Input supply voltage for 2EP130R: $V_{DD} = 15\text{ V}$
- Nominal target positive output voltage after peak rectification: $V_{CCx} = 18\text{ V}$
- Nominal target negative output voltage after peak rectification: $V_{EEEx} = -2.5\text{ V}$
- Expected diode forward voltage: $V_F = 0.4\text{ V}$

The output voltages provided here are considered nominal when increase in light load output voltage and drop in load-dependent output voltage are negligible. For the transformer suggested in this example, the nominal

2 System and functional description

load is approximately 15 mA. To consider the impact of the diode forward voltage on the output voltages a more accurate calculation of parameters is required.

Calculating and selecting the duty cycle

To calculate the duty cycle (DC) for 2EPxxR, the positive output voltage V_{CCx} should be put relative to the total output voltage. The voltage at the transformer should be one forward voltage drop higher than each of the expected output voltages. The whole value then needs to be subtracted from 1 to get the duty cycle for $OUT1$:

$$DC = 1 - \frac{V_{CCx} + V_F}{2 \cdot V_F + V_{CCx} - V_{EEx}}$$

$$DC = 1 - \frac{18\text{ V} + 0.4\text{ V}}{2 \cdot 0.4\text{ V} + 18\text{ V} - (-2.5\text{ V})}$$

$$DC = 0.136 \Rightarrow DC_{selected} = 14\%$$

The percentage value needs to be a whole number to be compatible with 2EP. The selected duty cycle, in this example, is rounded to 14%. According to the resistor selection table given in the 2EP1xxR datasheet, this duty cycle setting requires a resistor value of 698 Ω at the DC pin. It introduces a slight offset in the actual output voltage compared to the target value.

Note: 2EP1xxR supports duty cycles in the range of 10% and 50%.

Calculating and selecting the transformer turn ratio

To calculate the transformer turn ratio (TTR), the total primary transformer voltage needs to be put relative to the total output voltage of the transformer on the secondary side as required by the application. As 2EP1xxR is a full-bridge transformer driver, the total voltage at the primary transformer winding is twice the input supply voltage of 2EP1xxR. The serial capacitor between 2EP1xxR and the transformer does not influence the total input voltage of the transformer. Its offset is applied to both polarities so that the absolute voltage remains constant:

$$TTR = \frac{2 \cdot V_{DD}}{2 \cdot V_F + V_{CCx} - V_{EEx}}$$

$$TTR = \frac{2 \cdot 15\text{ V}}{2 \cdot 0.4\text{ V} + 18\text{ V} - (-2.5\text{ V})}$$

$$TTR = 1.41 \Rightarrow TTR_{selected} = 1.4$$

In this example, the calculated transformer turn ratio is very close to that of the Würth Elektronik transformer (part number 750319377) that has a transformer turn ratio of 1.4:1. The calculation and selection of a matching transformer again introduces an offset from the target values. It is therefore, recommended that the selection be verified as the last step.

Verifying the selection

After all required parameters are identified and matched to their components, the resulting output voltage can be calculated and compared to the target voltages:

$$V_{CC} = \frac{2 \cdot V_{DD} \cdot (1 - DC_{selected})}{TTR_{selected}} - V_F \Rightarrow V_{CC} = 18.03\text{ V}$$

$$V_{EE} = \frac{2 \cdot V_{DD} \cdot (-DC_{selected})}{TTR_{selected}} + V_F \Rightarrow V_{EE} = -2.60\text{ V}$$

In this example, the output voltages match with the target values quite well and only deviate by 0.2% for the positive and 4% for the negative output voltage. Considering that 2EP1xxR is an open loop transformer driver, the actual output voltages also depend on the stability of the input voltages and the load condition of these output voltages.

3 System design

3 System design

3.1 Schematics

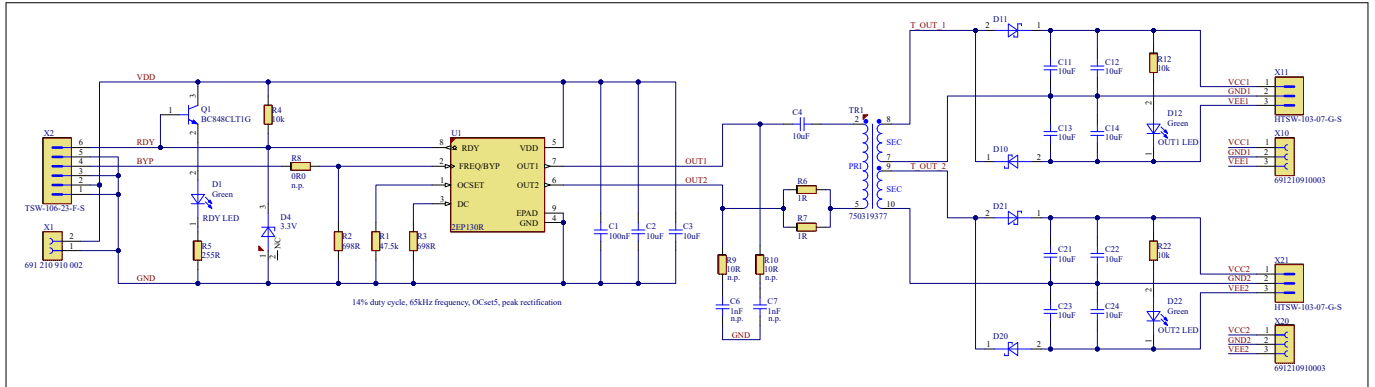


Figure 8 Schematic

The schematic uses default resistor values for average overcurrent setting level 5 and a target switching frequency of 65 kHz. The resistor for the duty cycle adjustment and the transformer are not assembled by default. Assuming a transformer turn ratio of 1.4:1 and a duty cycle of 14%, an input voltage of 15 V will result in a positive output voltage of approximately 18 V and a negative output voltage of -2.6 V.

3.2 Layout

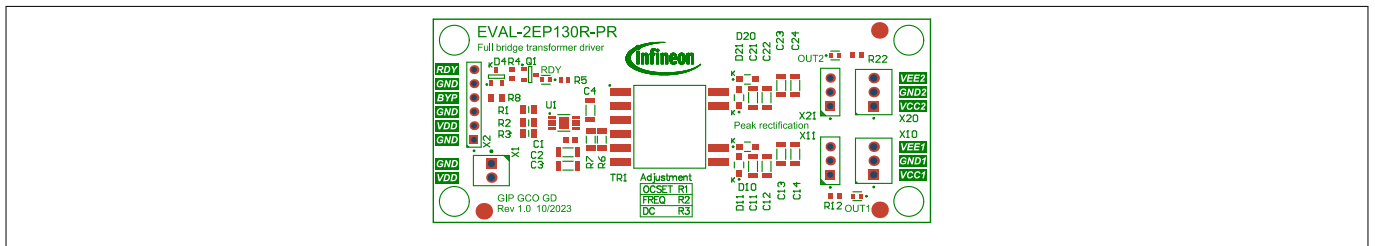


Figure 9 Component side assembly

The EVAL-2EP130R-PR evaluation board has an approximate size of $91 \times 37 \text{ mm}^2$. The two-layer PCB uses a standard copper thickness of 1 oz. The top layer is used for routing. The bottom layer mainly consists of three GND planes. A single-layer design is possible.

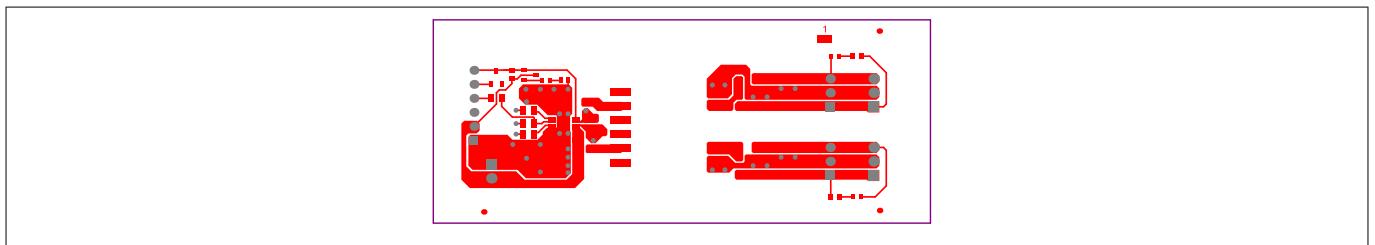


Figure 10 Top layer

3 System design

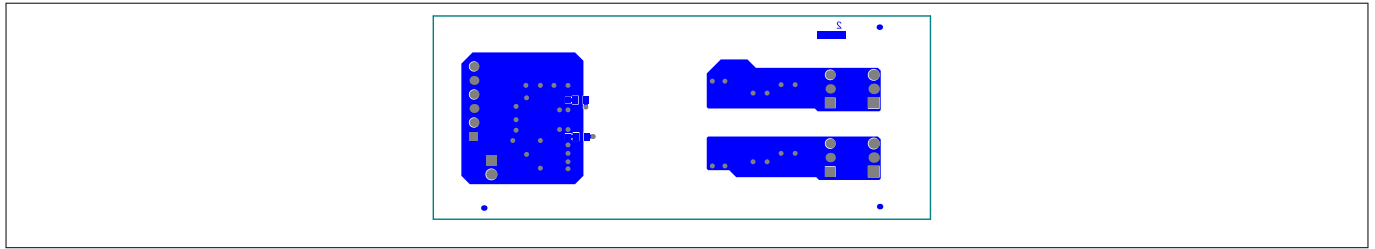


Figure 11 Bottom layer



Figure 12 Solder side assembly

3.3 Bill of material

The complete bill of material is available in the download section of Infineon's homepage. Login credentials are required to download this material.

Table 6 BOM of the most important parts of the evaluation board

S. No.	Ref Designator	Description	Manufacturer	Manufacturer P/N	Populated
1	R1	RES SMD 47.5 kΩ 125 mW 1% 0805	Vishay	CRCW080547K5FK	Yes
1	R2	RES SMD 698 Ω 125 mW 1% 0805	Vishay	CRCW0805698RFK	Yes
1	R3	RES SMD 698 Ω 125 mW 1% 0805	Vishay	CRCW0805698RFK	No
1	TR1	Transformer, 1 mH, Turn Ratio 1.4:1	Würth Elektronik	750319377 r00	No
1	U1	Full-bridge transformer driver for IGBT and SiC MOSFET gate driver supply	Infineon	2EP130R	Yes

3.4 Connector details

Table 7 Connector X1 - Input supply (alternate connector)

PIN	Label	Function
X1.1	GND	Primary input ground reference
X1.2	VDD	Input supply voltage for transformer driver 2EP130R

3 System design

Table 8 Connector X2 - Input side signals and supply

PIN	Label	Function
X2.1	GND	Primary input ground reference
X2.2	VDD	Input supply voltage for transformer driver 2EP130R
X2.3	GND	Primary input ground reference
X2.4	BYP	External PWM input pin for bypass operation mode
X2.5	GND	Primary input ground reference
X2.6	RDY	Ready status output pin, open drain

Table 9 Connectors X10 and X11 - Output supply rail 1

PIN	Label	Function
X10.1, X11.1	VCC1	Positive supply voltage output rail 1
X10.2, X11.2	GND1	Ground reference output rail 1
X10.3, X11.3	VEE1	Negative supply voltage output rail 1

Table 10 Connectors X20 and X21 - Output supply rail 2

PIN	Label	Function
X20.1, X21.1	VCC2	Positive supply voltage output rail 2
X20.2, X21.2	GND2	Ground reference output rail 2
X20.3, X21.3	VEE2	Negative supply voltage output rail 2

4 System performance

4 System performance

This section shows measurement results of the EVAL-2EP130R-PR evaluation board on efficiency, switching wave forms, start-up behavior of output voltages, and output voltage ripple.

Efficiency

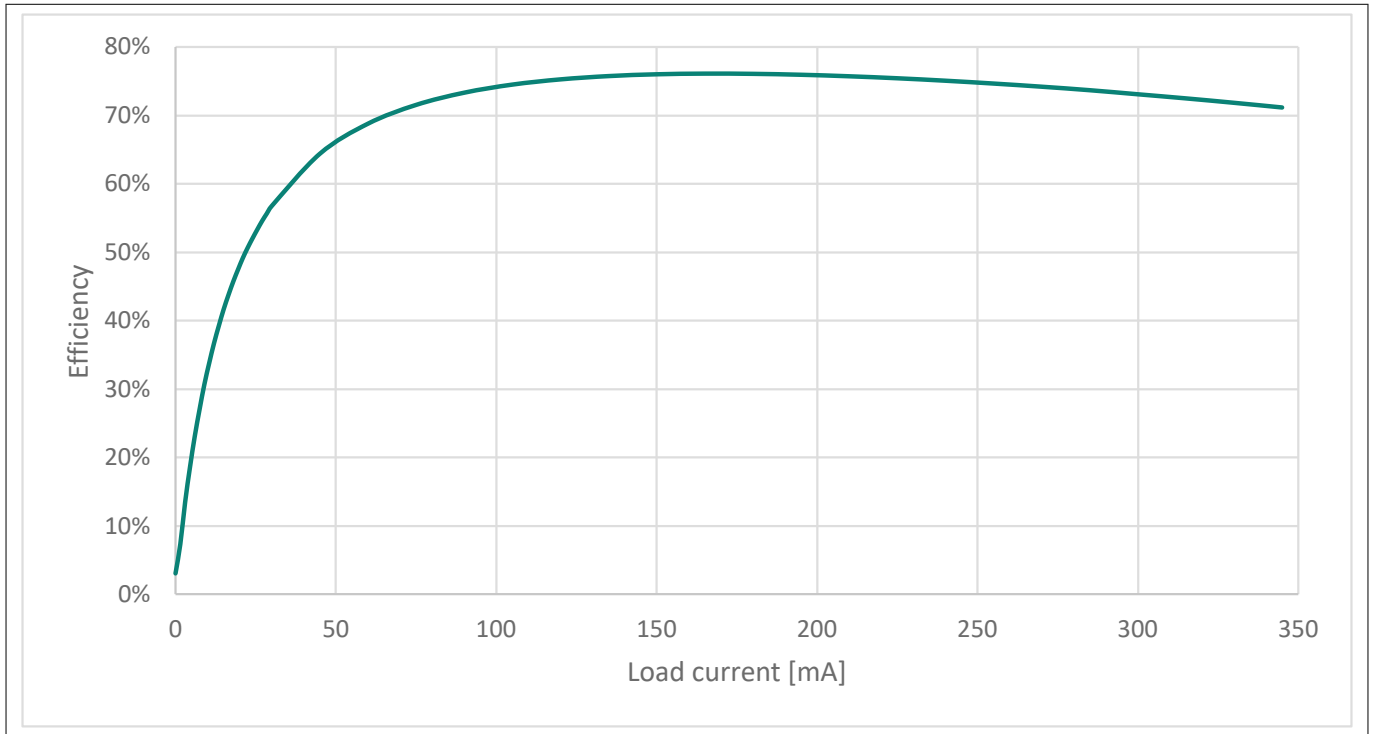


Figure 13 Measuring efficiency using 15 V input voltage and the WE 750319377 transformer

The efficiency measurement records the output voltages and currents and puts them relative to the 2EP input voltage and current during a steady state operation. This measurement was repeated for each individual load current point and drawn on this graph. The efficiency curve varies under different operating conditions such as input voltage, switching frequency, duty cycle and component selection of the transformer. This measurement was performed at 15 V, 80 kHz, 12% duty cycle, and using Würth Elektronik's transformer 750319377.

4 System performance

Switching waveform at start-up

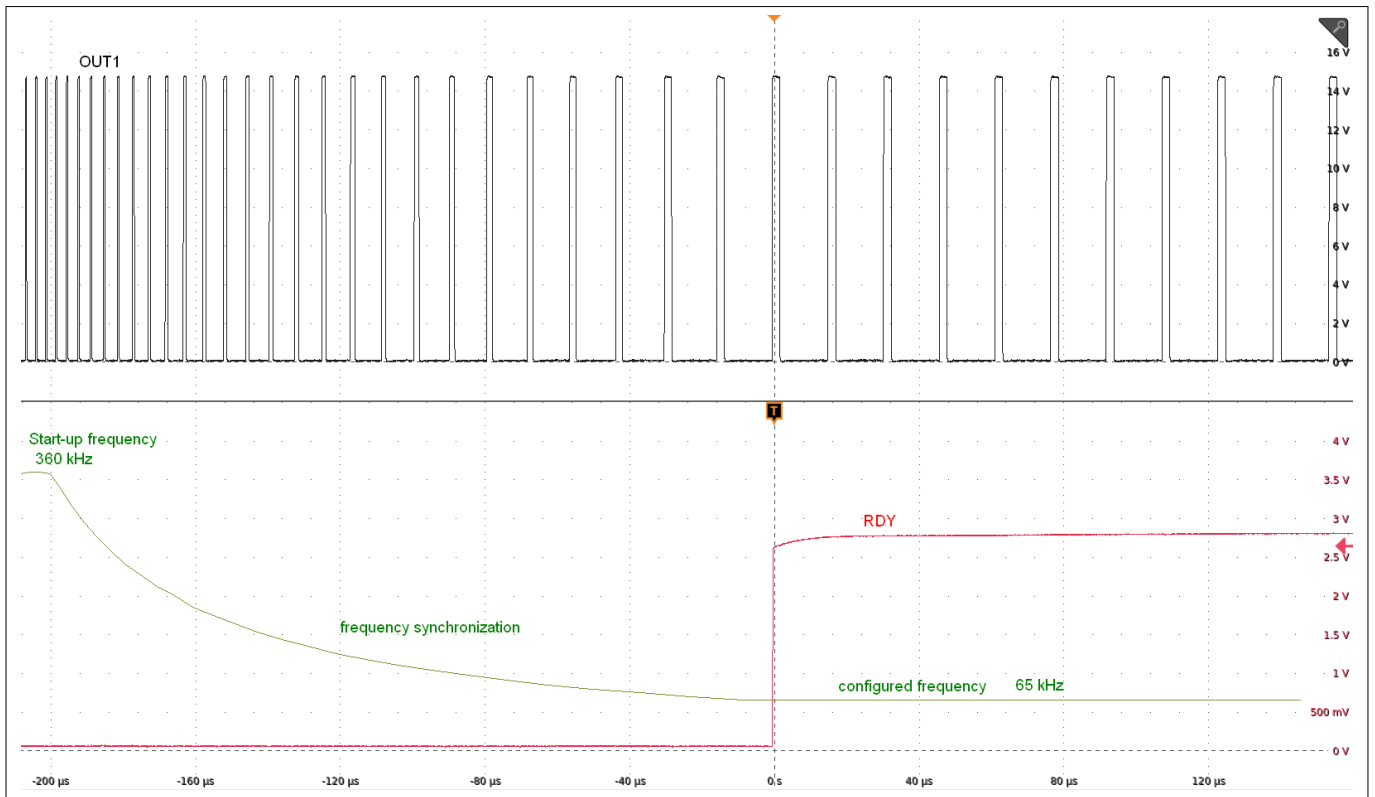


Figure 14 **OUT1 switching waveform**

The upper diagram shows the *OUT1* switching waveform. From left to right, 2EP1xxR is operating in the start-up peak current mode. When it reaches the target duty cycle without triggering the peak current limits, it synchronizes the switching frequency with the configured frequency. On reaching the target frequency, 2EP1xxR releases the *RDY* pin to indicate a successful start-up.

4 System performance

Start-up behavior of the output voltages

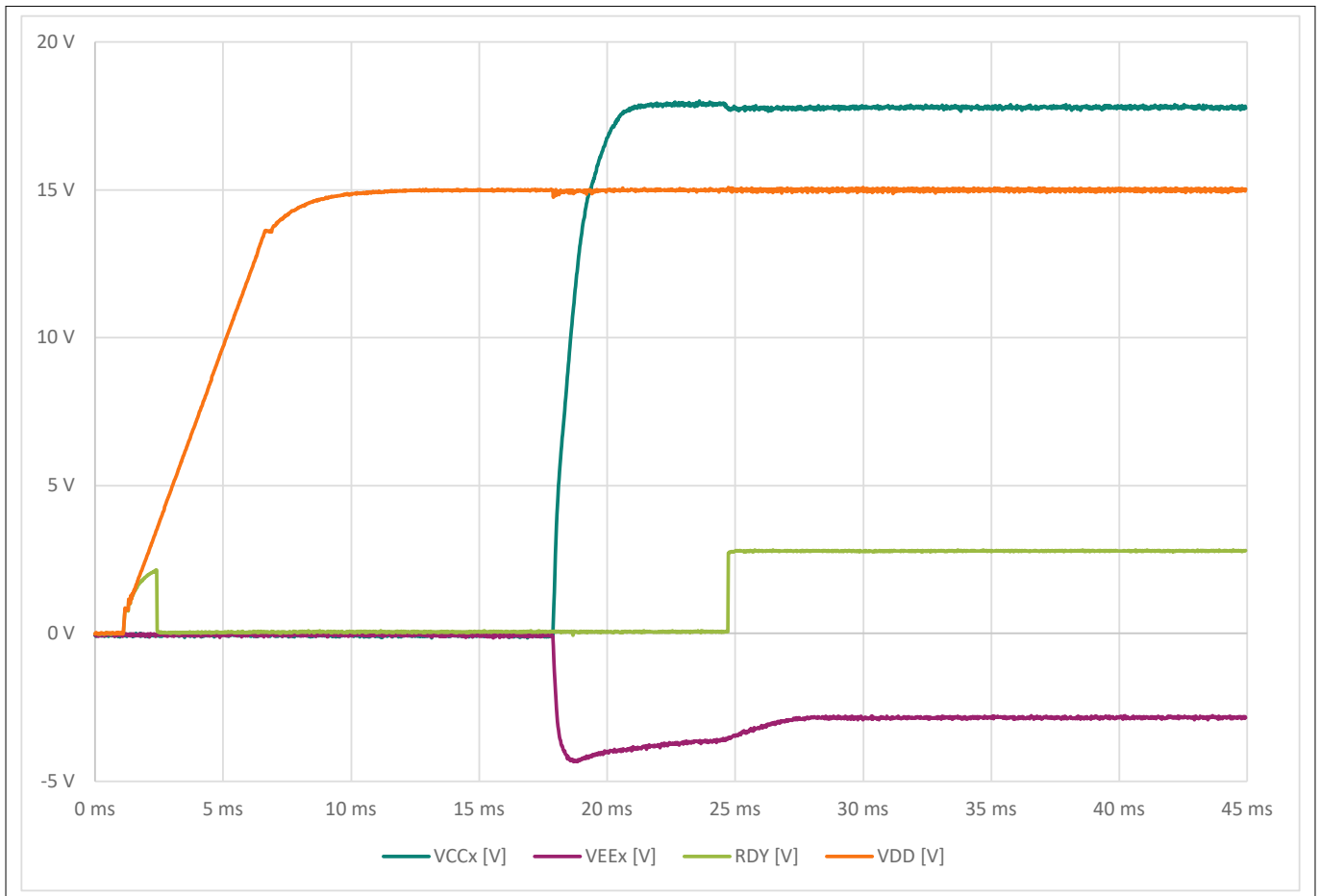


Figure 15 Start-up behavior

This diagram shows the input voltage ramp up at *VDD* together with the generated output voltages, *VCCX* and *VEEX*, and the *RDY* signal of the evaluation board.

The *RDY* signal briefly follows the input supply voltage, *VDD*, until the internal under voltage lockout (UVLO) circuit activates and pulls the *RDY* signal down to *GND* level. 2EP1xxR releases the *RDY* signal after the internal start-up phase.

4 System performance

Output voltage ripple

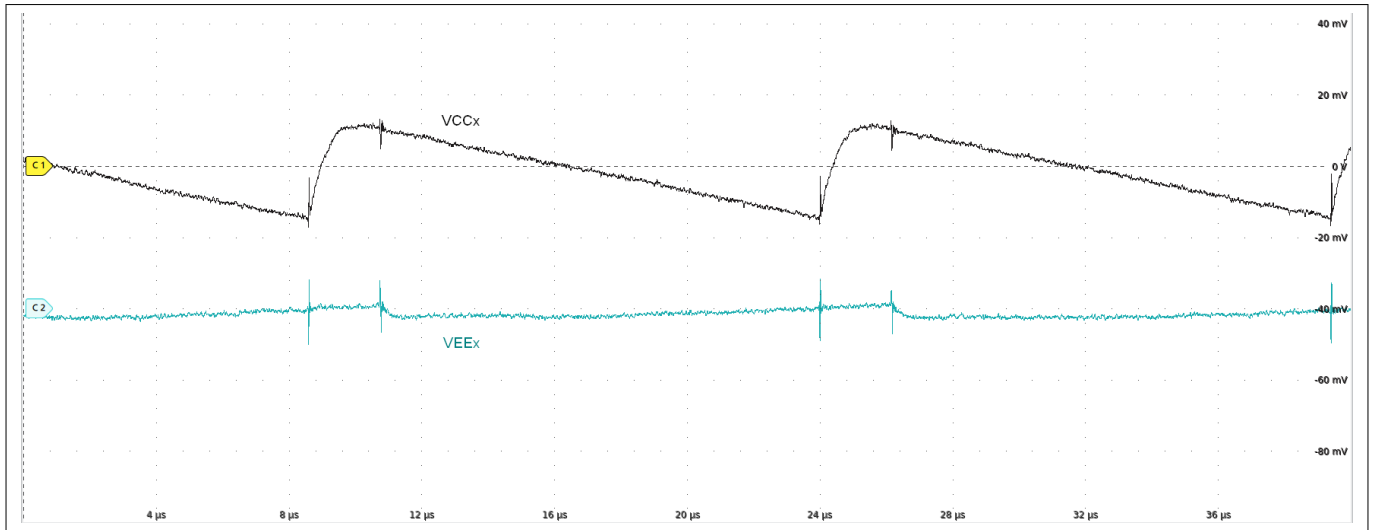


Figure 16 VCCx and VEEx output voltage ripple

The output voltage ripple of VCCx has a higher amplitude due to the selected duty cycle. At a constant load on both output levels, 2EP1xxR needs to recharge the output capacitor for VCCx within a shorter period of time compared to the output capacitor for VEEx. This measurement shows the output ripple for a load current of approximately 30 mA.

5 Additional information

5 Additional information

Table 11 Orderable part numbers

Evaluation board	OPN	Description
EVAL-2EP130R-PR	EVAL2EP130RPRTOBO1	2EP130R board with peak rectification and 3 transformers
EVAL-2EP130R-PR-SiC	EVAL2EP130RPRSICTOBO1	2EP130R board with peak rectification for SiC MOSFETs
EVAL-2EP130R-VD	EVAL2EP130RVDTOBO1	2EP130R board with voltage doubler for IGBTs

Table 12 Compatible gate driver evaluation boards

Evaluation board	OPN	Description
EVAL-1ED3121MX12H	EVAL1ED3121MX12HTOBO1	1ED3121MX12H board - 2300 V, 5.5 A, 5.7 kV (rms) with separate output
EVAL-1ED3122MX12H	EVAL1ED3122MX12HTOBO1	1ED3122MX12H board - 2300 V, 10 A, 5.7 kV (rms) with active Miller clamp
EVAL-1ED3124MX12H	EVAL1ED3124MX12HTOBO1	1ED3124MX12H board - 2300 V, 14 A, 5.7 kV (rms) with separate output
EVAL-1ED3142MU12F-SiC	EVAL1ED3142MU12FSICTOBO1	1ED3142MU12F board - 2300 V, 6.5 A, 3 kV (rms) with separate output
EVAL-1ED3241MC12H	EVAL1ED3241MC12HTOBO1	1ED3241MC12H board - 2300 V, 18 A, 5.7 kV (rms) with two-level slew-rate control
EVAL-1ED3251MC12H	EVAL1ED3251MC12HTOBO1	1ED3251MC12H board - 2300 V, 18 A, 5.7 kV (rms) with slew-rate control and clamp
EVAL-1ED3321MC12N	EVAL1ED3321MC12NTOBO1	1ED3321MC12N board - 2300 V, 8.5 A, 5.7 kV (rms) with DESAT and Soft-off
EVAL-1ED3491MX12M	EVAL1ED3491MX12MTOBO1	1ED3491MX12M board - 2300 V, 9 A, 5.7 kV (rms) with adjustable DESAT and Soft-off
EVAL-1ED3890MX12M	EVAL1ED3890MX12MTOBO1	1ED3890MX12M board - 2300 V, 9 A, 5.7 kV (rms) with I2C configurable behavior

Revision history

Revision history

Document version	Date of release	Description of changes
v1.00	2024-02-26	<ul style="list-style-type: none">initial version
		<ul style="list-style-type: none">

Trademarks

All referenced product or service names and trademarks are the property of their respective owners.

Edition 2024-02-26

Published by

Infineon Technologies AG

81726 Munich, Germany

© 2024 Infineon Technologies AG

All Rights Reserved.

Do you have a question about any aspect of this document?

Email: erratum@infineon.com

Document reference

IFX-akc1703078346547

For further information on the product, technology, delivery terms and conditions and prices please contact your nearest Infineon Technologies office (www.infineon.com)

Warnings

Due to technical requirements products may contain dangerous substances. For information on the types in question please contact your nearest Infineon Technologies office.

Except as otherwise explicitly approved by Infineon Technologies in a written document signed by authorized representatives of Infineon Technologies, Infineon Technologies' products may not be used in any applications where a failure of the product or any consequences of the use thereof can reasonably be expected to result in personal injury.