



产品简介

采用 TO-220 FullPAK 全隔离封装的 OptiMOS™ 已针对消费者应用进行了优化

英飞凌的功率 MOSFET 旨在满足客户要求, 在提高系统效率的同时降低系统成本。该产品采用最新的硅技术, 与其他可选设备相比, 具有低导通电阻 $R_{DS(on)}$ 和更出色的品质因数 (FOM)。

采用 TO-220 FullPAK 全隔离封装的 OptiMOS™ 是英飞凌针对适配器、游戏、台式机和电视应用推出的最新产品组合扩展。新型 MOSFET 采用具有成本效益的封装以及领先、可靠且成熟的硅技术, 因此可以提供最佳性价比。

全新的 TO-220 FullPAK 全隔离封装产品组合具有更高的功率密度及更高的效率, 因此这是同步整流的最佳解决方案。此外, 因其具备低 $R_{DS(on)}$ 的优势, 所需的并联处理也少, 这有助于降低整个系统的成本。

TO-220 FullPAK 是一款全隔离封装, 无需使用电气隔离材料, 而 TO-220 封装通常需要使用该材料。这样可以减少应用中产生的热量。

关键性能

- > 低电压过冲
- > 低导通电阻($R_{DS(on)}$)
- > 无需使用电气隔离材料, 而 TO-220 封装通常需要使用该材料

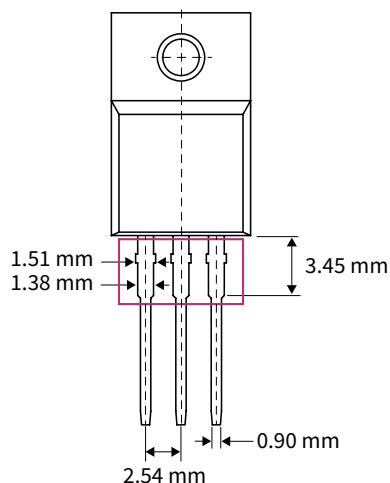
主要优点

- > 减少并联
- > 产生的热量不会转移到印刷电路板
- > 产生的热量少
- > 适合 TO-220 封装

主要应用

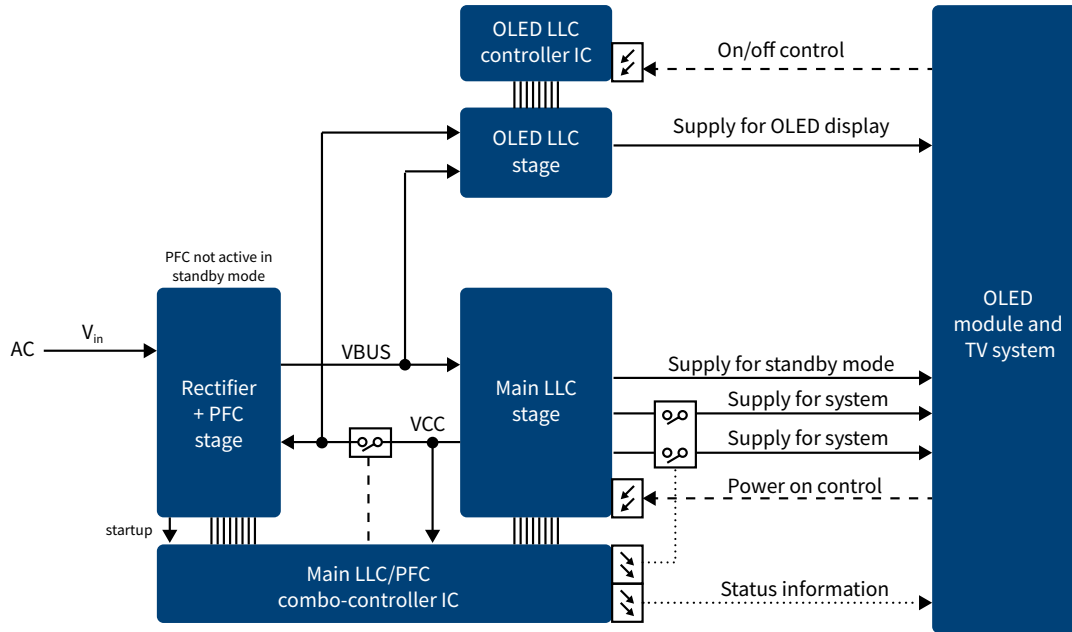
- > 适配器
- > 游戏
- > 台式机
- > 电视

TO-220 FullPAK



采用 TO-220 FullPAK 全隔离封装的 OptiMOS™ 已针对消费者应用进行了优化

应用图



产品组合

产品系列	V_{DS} [V]	$R_{DS(ON)}$ 最大值 @ $V_{GS}=10$ V [mΩ]	零件编号	订购零件编号
OptiMOS™ 3	40	2.8	IPA028N04NM3S	IPA028N04NM3SXKSA1
OptiMOS™ 5	60	2.9	IPA029N06NM5S	IPA029N06NM5SXKSA1
		4.0	IPA040N06NM5S	IPA040N06NM5SXKSA1
		6.0	IPA060N06NM5S	IPA060N06NM5SXKSA1
	80	4.0	IPA040N08NM5S	IPA040N08NM5SXKSA1
		5.2	IPA052N08NM5S	IPA052N08NM5SXKSA1
		5.0	IPA050N10NM5S	IPA050N10NM5SXKSA1
OptiMOS™ 3	100	8.3	IPA083N10NM5S	IPA083N10NM5SXKSA1
		12.6	IPA126N10NM3S	IPA126N10NM3SXKSA1
	200	32.0	IPA320N20NM3S	IPA320N20NM3SXKSA1
	250	60.0	IPA600N25NM3S	IPA600N25NM3SXKSA1

Published by
Infineon Technologies Austria AG
9500 Villach, Austria

© 2019 Infineon Technologies AG.
All Rights Reserved.

Please note!

THIS DOCUMENT IS FOR INFORMATION PURPOSES ONLY AND ANY INFORMATION GIVEN HEREIN SHALL IN NO EVENT BE REGARDED AS A WARRANTY, GUARANTEE OR DESCRIPTION OF ANY FUNCTIONALITY, CONDITIONS AND/OR QUALITY OF OUR PRODUCTS OR ANY SUITABILITY FOR A PARTICULAR PURPOSE. WITH REGARD TO THE TECHNICAL SPECIFICATIONS OF OUR PRODUCTS, WE KINDLY ASK YOU TO REFER TO THE RELEVANT PRODUCT DATA SHEETS PROVIDED BY US. OUR CUSTOMERS AND THEIR TECHNICAL DEPARTMENTS ARE REQUIRED TO EVALUATE THE SUITABILITY OF OUR PRODUCTS FOR THE INTENDED APPLICATION.

WE RESERVE THE RIGHT TO CHANGE THIS DOCUMENT AND/OR THE INFORMATION GIVEN HEREIN AT ANY TIME.

Additional information

For further information on technologies, our products, the application of our products, delivery terms and conditions and/or prices, please contact your nearest Infineon Technologies office (www.infineon.com).

Warnings

Due to technical requirements, our products may contain dangerous substances. For information on the types in question, please contact your nearest Infineon Technologies office.

Except as otherwise explicitly approved by us in a written document signed by authorized representatives of Infineon Technologies, our products may not be used in any life-endangering applications, including but not limited to medical, nuclear, military, life-critical or any other applications where a failure of the product or any consequences of the use thereof can result in personal injury.