

OPTIGA™ Authenticate NBT

Extended datasheet

The OPTIGA™ Authenticate NBT is a ready-to-use dual-interface bridge tag with a contactless passive NFC interface and an I2C target interface to the MCU. It supports high performance NFC-to-I2C communication, comes with an NFC Forum Type 4 Tag compliant 8 KB file system with file-based password protection, one-way authentication using ECDSA asymmetric cryptography and symmetric AES-128-CMAC based cryptography

Features

- NFC-to-I2C bridge device for synchronous high-speed communication from an NFC reader to an I2C-connected host MCU
- NFC Forum Type 4 Tag with 4 KB NDEF message plus 4 KB proprietary files storage for NFC tag application and asynchronous data transfer between the host MCU and NFC reader
 - Flexible file access policy
- ECDSA-based one-way authentication using NIST P-256 and public key infrastructure for offline authentication
- AES-128-CMAC-based cryptographic one-time token for online authentication

Potential applications

NFC bridge tag applications

Bluetooth or Wi-Fi pairing
Headless configuration
Product activation
Key-less entry

NFC tag applications

Accessory authentication
Brand protection with offline verification
Brand protection with online verification

Product validation

Qualified for applications according to the test conditions in the relevant tests of JEDEC JESD22 and J-STD-020.

Description

The OPTIGA™ Authenticate NBT can be powered by an external NFC field, where the NFC reader connects to the NFC tag application via the contactless interface (L_A , L_B) and an externally connected antenna. In addition to the NFC interface, the device can also be supplied from an external power supply (V_{CC} , GND), including an integrated I2C interface and one IRQ for communication with external host systems.

The OPTIGA™ Authenticate NBT embedded software includes an NFC tag application that complies with the NFC Forum Tag Application Specification for Type 4 Tag (Listener) for NFC-A, and an NFC-to-I2C bridge functionality.

Ordering information

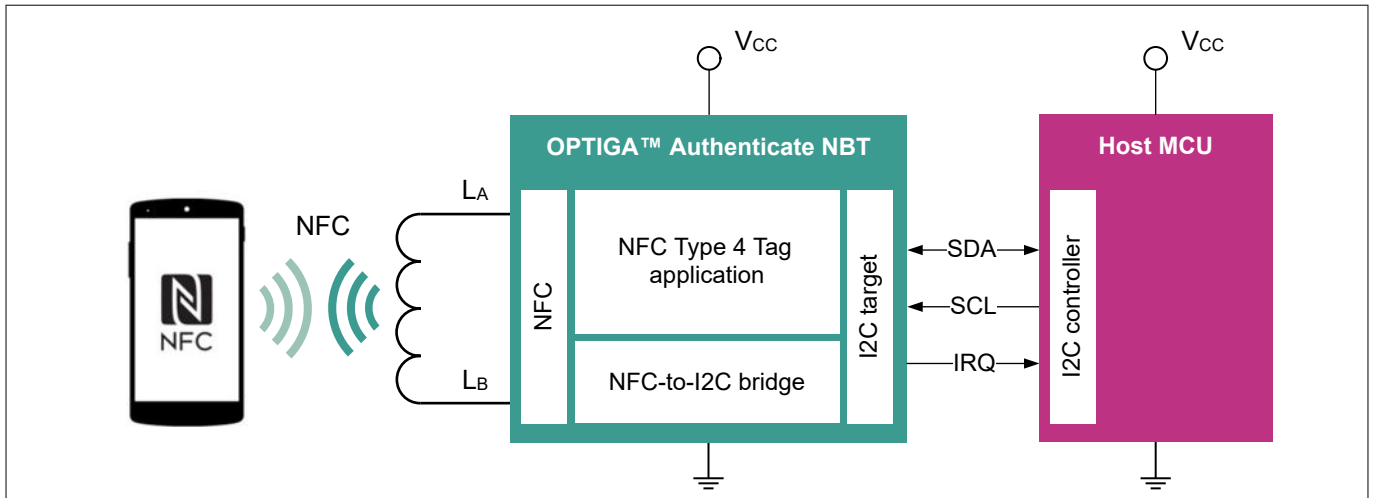


Figure 1 Block diagram - OPTIGA™ Authenticate NBT

Ordering information

Product name	Ordering code	Marking	Package
OPTIGA™ Authenticate NBT	NBT2000A8K0T4	NBT2	PG-USON-8-8

About this document

Scope and purpose

This document describes the features, functionality and operational characteristics of the OPTIGA™ Authenticate NBT.

Intended audience

This document is primarily intended for system and application developers.

Table of contents

	About this document	2
	Table of contents	3
	List of tables	7
	List of figures	9
1	Introduction	10
1.1	Target applications	10
1.2	Interface description	10
1.3	Conventions used	11
2	Solution overview	12
2.1	Use cases	12
2.1.1	Use case: Asynchronous data transfer (ADT)	12
2.1.2	Use case: Synchronous pass-through (PT)	13
2.1.3	Use case: Brand protection (online) using AES-128-CMAC-based cryptographic one-time token (COTT)	13
2.1.4	Use case: Brand protection (offline) using ECDSA one-way authentication	14
2.2	Security guidance	15
2.3	Functional compliance	15
3	Delivery forms	16
3.1	SMD package	16
3.1.1	PG-USON-8-8	16
3.2	RoHS compliance	19
4	System architecture	21
4.1	Architecture diagram	21
4.2	Component description	22
5	Solution details	23
5.1	Hardware details	23
5.1.1	Technical data	23
5.1.1.1	Absolute maximum ratings	23
5.1.1.2	Operational characteristics	25
5.1.1.2.1	AC electrical characteristics	25
5.1.1.2.2	DC electrical characteristics	27
5.1.2	NFC interface characteristics	28
5.1.3	I2C interface characteristics	28
5.1.3.1	General I2C characteristics	28
5.1.3.2	I2C standard/fast mode interface characteristics	29
5.1.3.3	I2C fast mode plus interface characteristics	31
5.1.4	IRQ interface characteristics	33

Table of contents

5.1.5	Package characteristics	33
5.1.6	Hardware integration diagram	35
5.2	Embedded software	36
5.2.1	Communication interfaces	36
5.2.1.1	I2C protocol	38
5.2.1.2	NFC protocol	38
5.2.2	Product life cycle states	39
5.2.3	Power and communication states	39
5.2.4	Product administration	40
5.2.4.1	Hardware configuration	40
5.2.4.2	File access policy	43
5.2.4.3	Key loading	43
5.2.4.4	Certificate loading	43
5.2.5	NFC tag	43
5.2.5.1	Capability Container (EF.CC) file	44
5.2.5.2	NDEF file	46
5.2.5.3	Proprietary files	46
5.2.5.4	File access policy file	46
5.2.5.5	Password management	48
5.2.5.5.1	Password verification	48
5.2.5.5.2	UNBLOCK PASSWORD	48
5.2.5.5.3	CHANGE PASSWORD	48
5.2.5.5.4	CREATE PASSWORD	48
5.2.5.5.5	DELETE PASSWORD	48
5.2.6	Use cases operation	48
5.2.6.1	Asynchronous data transfer	48
5.2.6.2	Synchronous pass-through communication	49
5.2.6.3	Brand protection with offline authentication	50
5.2.6.4	Brand protection with online authentication using COTT	52
5.3	Product delivery condition and application configuration	53
5.3.1	Default product configuration	53
5.3.2	Default NFC tag application configuration	54
5.3.3	Default keys	55
5.4	Command reference	55
5.4.1	SELECT	56
5.4.1.1	Command message	56
5.4.1.2	Response message	57
5.4.2	PERSONALIZE DATA	58
5.4.2.1	Command message	58
5.4.2.2	Response message	59
5.4.3	UPDATE BINARY	59
5.4.3.1	Command message	60

Table of contents

5.4.3.2	Response message	60
5.4.4	READ BINARY	60
5.4.4.1	Command message	61
5.4.4.2	Response message	61
5.4.5	AUTHENTICATE TAG	61
5.4.5.1	Command message	61
5.4.5.2	Response message	62
5.4.6	CREATE PASSWORD	62
5.4.6.1	Command message	62
5.4.6.2	Response message	63
5.4.7	DELETE PASSWORD	64
5.4.7.1	Command message	64
5.4.7.2	Response message	65
5.4.8	CHANGE/UNBLOCK PASSWORD	65
5.4.8.1	Command message	65
5.4.8.2	Response message	66
5.4.9	GET DATA	67
5.4.9.1	Command message	67
5.4.9.2	Response message	67
5.4.10	BACKEND TEST	68
5.4.10.1	Command message	68
5.4.10.2	Response message	69
5.4.11	SET CONFIGURATION	69
5.4.11.1	Command message	69
5.4.11.2	Response message	70
5.4.12	GET CONFIGURATION	70
5.4.12.1	Command message	70
5.4.12.2	Response message	70
5.4.13	PASS-THROUGH FETCH DATA	71
5.4.13.1	Command message	71
5.4.13.2	Response message	71
5.4.14	PASS-THROUGH PUT RESPONSE	72
5.4.14.1	Command message	72
5.4.14.2	Response message	73
5.5	Host software	73
A	Appendix	74
	References	77
	Glossary	78
	Revision history	81

Disclaimer 82

List of tables

List of tables

Table 1	Marking table for PG-USON-8-8 packages	18
Table 2	Pin-to-signal reference for PG-USON-8-8	19
Table 3	Supported applications of the OPTIGA™ Authenticate NBT (real and virtual)	22
Table 4	Absolute maximum ratings	24
Table 5	AC electrical characteristics	25
Table 6	DC electrical characteristics	27
Table 7	NFC interface characteristics	28
Table 8	I2C operational supply and input voltages	28
Table 9	I2C standard mode interface characteristics	29
Table 10	I2C fast mode interface characteristics	30
Table 11	I2C fast mode interface characteristics	31
Table 12	DC electrical characteristics of the IRQ	33
Table 13	AC electrical characteristics of the IRQ	33
Table 14	PG-USON-8-8 package characteristics	34
Table 15	Configuration reference table	40
Table 16	EF.CC file content	45
Table 17	NDEF-File_Ctrl_TLV	45
Table 18	Proprietary-File_Ctrl_TLV	46
Table 19	File READ access condition	46
Table 20	File WRITE access condition	46
Table 21	Access policy	47
Table 22	Configuration byte	47
Table 23	EF.FAP content	47
Table 24	Product configuration at delivery	53
Table 25	Default configuration NFC tag application	54
Table 26	Default keys	55
Table 27	Command overview	55
Table 28	SELECT application command APDU	56
Table 29	SELECT application data fields	56
Table 30	SELECT file command APDU	56
Table 31	SELECT file data fields	57
Table 32	SELECT application response status words	57
Table 33	File control parameter - SELECT file response data	57
Table 34	SELECT file response status word	57
Table 35	PERSONALIZE DATA: Command APDU	58
Table 36	Supported DGIs in PERSONALIZE DATA command	58
Table 37	Status words	59
Table 38	UPDATE BINARY command APDU	60
Table 39	UPDATE BINARY response status words	60
Table 40	READ BINARY command APDU	61
Table 41	Status words	61
Table 42	AUTHENTICATE TAG command APDU	61
Table 43	Status words	62

List of tables

Table 44	CREATE PASSWORD command APDU	62
Table 45	CREATE PASSWORD command data field	62
Table 46	Status words	63
Table 47	DELETE PASSWORD command	64
Table 48	Reference control parameter – P2	64
Table 49	DELETE PASSWORD command data field	64
Table 50	Status words	65
Table 51	CHANGE/UNBLOCK PASSWORD command APDU	65
Table 52	Reference control parameter – P2	65
Table 53	Coding of CHANGE/UNBLOCK password options	66
Table 54	CHANGE/UNBLOCK PASSWORD command data field	66
Table 55	Status words	66
Table 56	GET DATA command APDU	67
Table 57	Reference control parameter	67
Table 58	File Control Parameter – NFC Applet version	67
Table 59	Status words	68
Table 60	BACKEND TEST command APDU	68
Table 61	Command instruction parameters BACKEND TEST command APDU	68
Table 62	P2 command instruction parameter for BACKEND TEST command APDU	68
Table 63	Status words	69
Table 64	SET CONFIGURATION command	69
Table 65	Configuration data TLV structure	70
Table 66	Status words	70
Table 67	GET CONFIGURATION command	70
Table 68	Status words	70
Table 69	PASS-THROUGH FETCH DATA command	71
Table 70	PASS-THROUGH FETCH DATA response structure	71
Table 71	Pass-through status word first byte (PT-SW1)	71
Table 72	Pass-through status word second byte (PT-SW2)	71
Table 73	Status words	72
Table 74	PASS-THROUGH PUT RESPONSE command	72
Table 75	Status words	73

List of figures

List of figures

Figure 1	Block diagram - OPTIGA™ Authenticate NBT	2
Figure 2	Asynchronous data transfer mode	12
Figure 3	Synchronous pass-through mode	13
Figure 4	Online authentication using AES-128-CMAC-based COTT	14
Figure 5	Offline authentication using ECDSA one-way authentication	14
Figure 6	PG-USON-8-8 package outline	16
Figure 7	PG-USON-8-8 package footprint	17
Figure 8	PG-USON-8-8 tape & reel packing	17
Figure 9	PG-USON-8-8 sample marking pattern	18
Figure 10	PG-USON-8-8 package layout	18
Figure 11	OPTIGA™ Authenticate NBT product architecture	21
Figure 12	Recommended power-up behavior	26
Figure 13	Device start-up behavior	26
Figure 14	Package characteristics	34
Figure 15	NFC-only tag	35
Figure 16	Bridge tag	35
Figure 17	Communication interface handling	37
Figure 18	Power and communication states	39
Figure 19	Type 4 Tag file structure	44
Figure 20	NFC-to-I2C pass-through (PT) communication mode	49
Figure 21	NFC-to-I2C pass-through standard case communication flow	50
Figure 22	Brand protection with offline authentication	51
Figure 23	Brand protection with online authentication using COTT	52
Figure 24	NFC well-known record type	53
Figure 25	System software landscape	73
Figure 26	Infineon X.509 device certificate and PKI	74
Figure 27	Infineon X.509v3 device certificate	75
Figure 28	NFC well-known record type payload	76

1 Introduction

1 Introduction

The OPTIGA™ Authenticate NBT is a dynamic and secure turn-key solution for embedded NFC tag applications with varying levels of security and communication.

The OPTIGA™ Authenticate NBT communicates with the host MCU via I2C and with NFC-enabled mobile phones and NFC readers via NFC. The two interfaces can be operated in a mode known as "bridge mode". An IRQ can be used to signal the presence of an NFC field to the host system.

To meet the needs of demanding applications, the OPTIGA™ Authenticate NBT includes an NFC Forum Type 4 Tag compliant file system: Capability Container (EF.CC) file, NDEF file (4 KB), and four additional proprietary files (1 KB each). Using 32 bit passwords, a flexible password-based file access policy allows to restrict access on a per-file and per-interface basis.

The OPTIGA™ Authenticate NBT is equipped with state-of-the-art elliptic curve (EC) and AES-based features for cryptographic security needed in brand protection applications.

A pre-installed, chip-individual Infineon X.509 certificate provides the OEM with an EC-based originality check of the chip. The originality check is actively authenticated using a reader-supplied nonce, a protected chip-individual private key.

The OPTIGA™ Authenticate NBT can be easily personalized to customer public key infrastructures (PKIs) using customer-issued certificates and EC keys. For brand protection applications, even in offline scenarios, cutting-edge ECDSA with NIST P-256 one-way authentication offers protection.

Additionally, the OPTIGA™ Authenticate NBT enables dynamic computation of a NDEF-embedded cryptographic one-time token for server-side symmetric-key based authentication. Each time the Type 4 Tag application on the device is selected, the token is freshly computed using a secured AES-128-CMAC key. When the NDEF message is read, this token gets embedded into the response. The one-time token can be transferred to a server-side system as part of a URL to authenticate a tag without the use of specific mobile applications.

Note: For a collection of all available support material for the OPTIGA™ Authenticate NBT, refer to its product page [14].

1.1 Target applications

The OPTIGA™ Authenticate NBT is suitable for a wide range of applications, including the following:

- Offline brand protection: I2C or NFC-based authentication of products or accessories when internet connectivity is not available
- Online brand protection: NFC-based authentication of products or accessories without requiring a dedicated application on the mobile phone
- Headless configuration/readout of consumer IoT devices or industrial equipment
- Wi-Fi/Bluetooth pairing
- Product activation
- Accessory authentication

1.2 Interface description

The OPTIGA™ Authenticate NBT provides an ISO/IEC 14443-4 [4] compliant interface that allows it to connect to any NFC-enabled mobile phone, tablets and other portable and stationary NFC reader devices. On top of the contactless interface, an NFC Forum compliant Type 4 Tag application is implemented.

The OPTIGA™ Authenticate NBT can be powered by the NFC field for NFC-only applications. Alternatively, the device can be supplied from the host system's V_{CC} .

Furthermore, the OPTIGA™ Authenticate NBT includes an I2C interface that uses the Global Platform standardized GP T=1' over I2C protocol for easy integration with a wide range of host systems. Polling and interrupt-based communication are both supported by the device.

1 Introduction

Using both NFC and I2C interfaces in bridge mode, OPTIGA™ Authenticate NBT enables NFC-to-I2C (and reverse) communication. The bridge mode supports two pass-through modes:

- Asynchronous pass-through via the file system, where the chip can be power-cycled in-between
- Synchronous pass-through, where the APDUs are forwarded between NFC and I2C immediately

The OPTIGA™ Authenticate NBT can detect the presence of an NFC field and signal it to the host system via its IRQ, triggering host-side actions.

Depending on the configuration, the IRQ can be used for one or more of the following tasks:

- Signaling states of the NFC state machine (RF-IRQ)
- GP T=1' over I2C interruption to the host system (I2C-IRQ)
- Pass-through data availability interruption to the host system (PT-IRQ)

1.3 Conventions used

Throughout this document:

- Communication to and from the OPTIGA™ Authenticate NBT is accomplished logically through the use of Application Data Protocol Units (APDUs). Command-APDUs (C-APDUs) are APDUs transferred from the communication initiator (host system using I2C or NFC reader using NFC), while Response-APDUs (R-APDUs) are the responses of the device
- "Pass-through" will represent only "synchronous pass-through"
- All lengths are represented in bytes, unless otherwise specified

2 Solution overview

2 Solution overview

This section describes the intended use cases of the product, security guidance and compliance.

2.1 Use cases

This section describes the four primary product use cases. The OPTIGA™ Authenticate NBT enables a variety of applications. A customer can configure and personalize the device for one or more of these use cases, depending on the application needs.

2.1.1 Use case: Asynchronous data transfer (ADT)

Asynchronous data transfer (ADT) allows the transfer of arbitrary application-specific data from an NFC reader to the host system or from the host system to an NFC reader.

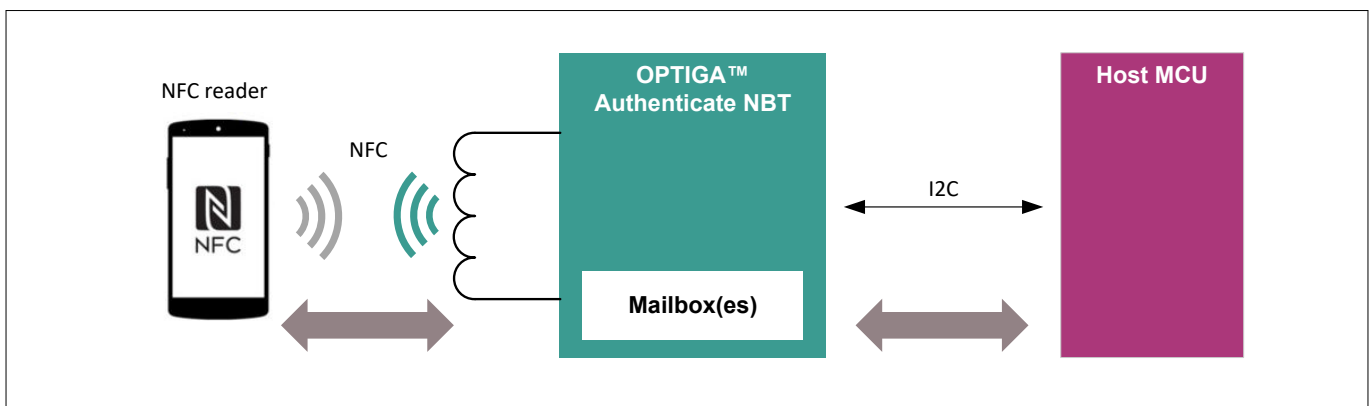


Figure 2 Asynchronous data transfer mode

The OPTIGA™ Authenticate NBT implements data exchange in asynchronous data transfer mode via "mailboxes". These mailbox files are part of the NFC Type 4 Tag application and can be accessed through the I2C and NFC interfaces. Depending on the needs of the application, the NFC reader or host system serves as the initiator. They can write data to or read data from the NDEF message or one (or more) of the proprietary files. The data written to these files is stored in the non-volatile memory of the OPTIGA™ Authenticate NBT and persists across power cycles. Later, the "other party" obtains data from the mailboxes. As a result, using the file system in the Type 4 Tag application results in asynchronous data transfer. The device governs file access rights (read or write) and restricts file read or write access from the host-side, respectively the NFC reader-side, via its file access policy configuration (in EF.FAP). Interface multiplexing mediates parallel access from both interfaces to avoid race conditions.

The asynchronous data transfer mode can be used in the following scenarios.

Scenario 1: Device manufacturing

During device manufacturing, the OEM stores device initialization data on the OPTIGA™ Authenticate NBT using an NFC reader. These initialization data can be obtained from the device when the host system powers up in the field.

Scenario 2: Configuring an unpowered device

An end customer can send onboarding information to a light bulb before powering it. After the light bulb is screwed into the mains, the light bulb's host system when powered on, obtains the onboarding information to join the customer's local network.

Scenario 3: Reporting diagnostic data

The host system periodically writes usage and diagnostic data to a file. In the event that the device host system fails, an NFC reader can power the OPTIGA™ Authenticate NBT and read the most recent data.

Scenario 4: Obtain Wi-Fi/Bluetooth pairing data

The host system sends a Connection Handover (CH) NDEF message to the OPTIGA™ Authenticate NBT with the most recent Wi-Fi/Bluetooth pairing information. If the host system needs to update this information, the NDEF message is replaced again (for example, if the Bluetooth speaker is reset; or the Wi-Fi router password

2 Solution overview

changed). By simply powering on the device and reading the NDEF message containing the CH record, the phone can read the most recent configuration at any time.

2.1.2 Use case: Synchronous pass-through (PT)

In synchronous pass-through mode (PT), the OPTIGA™ Authenticate NBT bridges data received from the NFC interface (from an Initiator) to the I2C interface connected to the host system (Responder). The device notifies the host system about the availability of data via its IRQ after receiving the NFC command data. The host system (as I2C controller) actively obtains the Initiators command, executes the operation, prepares a response, and sends the response back to the device returns the response data to the NFC reader without evaluating the content.

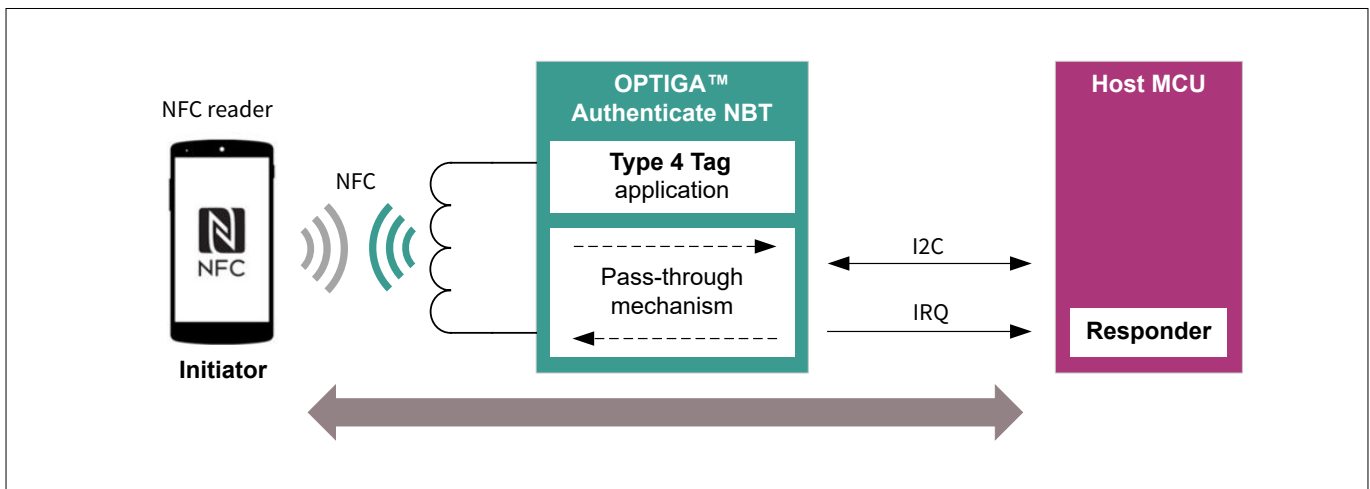


Figure 3 Synchronous pass-through mode

By selecting an unregistered application¹⁾ on the OPTIGA™ Authenticate NBT, the NFC reader can enable pass-through mode. This use case simplifies the implementation of "virtual" applications on the host system.

The synchronous pass-through is applicable in the following scenarios:

Scenario 1: Download firmware update to the host system

To update the firmware of a host system, the NFC reader transfers the firmware data in a series of command frames to the host system.

Scenario 2: Configure or control a host system ("headless")

The NFC device sends control or configuration data to the host system, which the host system immediately uses, for example, to establish a Wi-Fi connection from the host system to the local Wi-Fi network. The host system may return the most recent status information in its response.

2.1.3 Use case: Brand protection (online) using AES-128-CMAC-based cryptographic one-time token (COTT)

If configured, the OPTIGA™ Authenticate NBT generates a new cryptographic one-time token (COTT) value for each NDEF message access. The COTT is encoded in Base64url format and contains a 1-byte header, a 7-byte UID for the tag, an 8-byte random number, and an AES-128-CMAC signature computed over the header, UID, and random number. The device will insert this COTT value in the NDEF message at a brand owner-defined location, for example, in the parameters of a URL contained in an URI NDEF record.

An NFC Forum compliant mobile phone will automatically recognize and prompt the user to access the URL. Upon access, the COTT value is sent to the server as part of the URL. To determine whether the URL access was the result of a recent tag readout, the server can use cryptographic and heuristic measures.

¹⁾ The OPTIGA™ Authenticate NBT supports two registered applications: the NFC Type 4 Tag application and the CONFIGURATOR application. Other applications than these two are considered "unregistered." For more information, refer to [Chapter 4](#).

2 Solution overview

The main advantage of this system is that no mobile phone application is required since all major phone operating systems support reading and opening URLs from NFC tags. Validation logic is implemented only on server side.

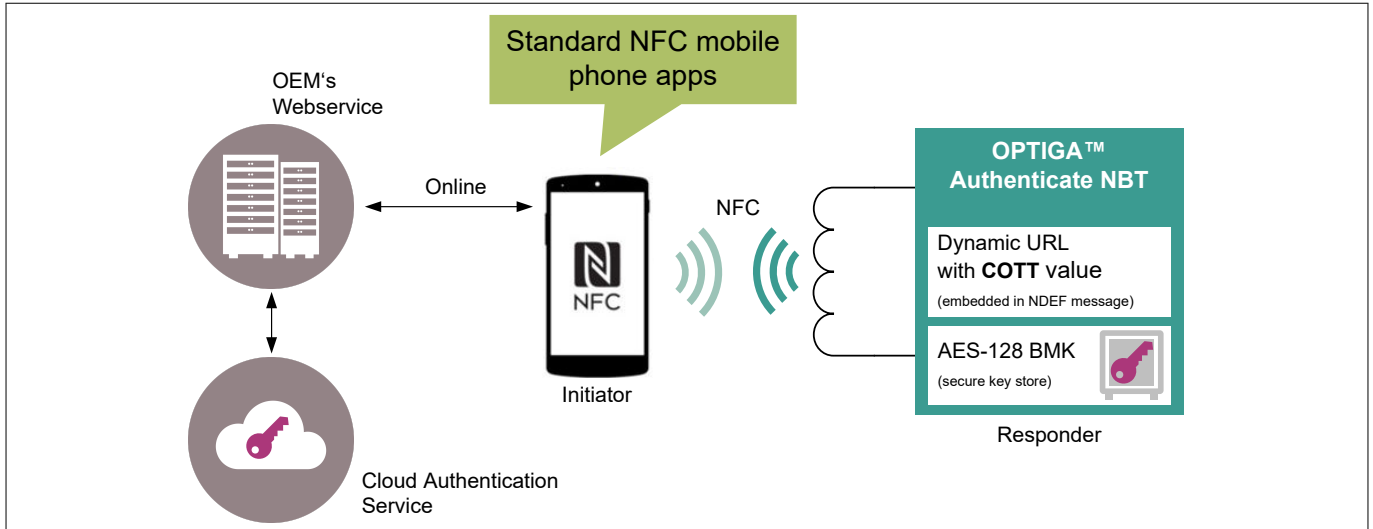


Figure 4 Online authentication using AES-128-CMAC-based COTT

Scenario 1: Validate authenticity of a product without using a mobile application

The customer taps the OPTIGA™ Authenticate NBT, which directs them to the vendor's website. The web server uses the COTT value in the URL to validate the product, and to display the validation result to the user as a web page.

Scenario 2: Validate/track smart poster usage

The customer taps a smart poster (as defined by the NFC Forum) and is directed to a web page advertised by the poster. The website uses the COTT value in the URL to validate and track access to a specific poster and user-tag interaction.

2.1.4 Use case: Brand protection (offline) using ECDSA one-way authentication

In this use case, the NFC reader/phone obtains a public-key certificate from the OPTIGA™ Authenticate NBT using active challenge-response. The use of public-key certificates and a vendor public key infrastructure allows the mobile application to validate without internet access or a web server. Furthermore, the certificate can include any preferred information about the device that needs to be authenticated, such as product details or manufacturing/expiry dates, etc.

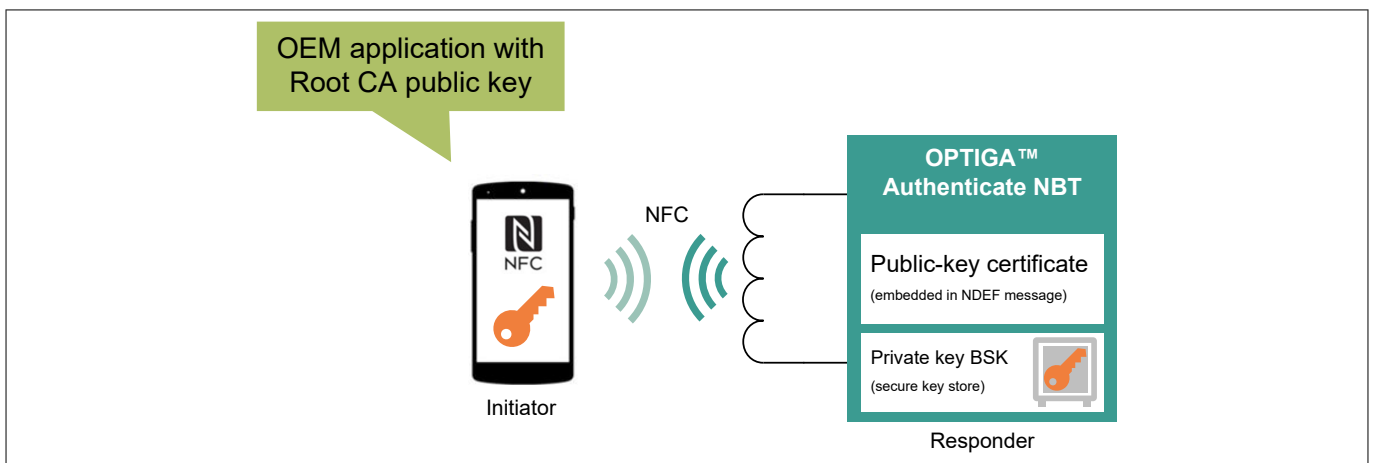


Figure 5 Offline authentication using ECDSA one-way authentication

2 Solution overview

Scenario 1: Main system validates disposable or accessory

The OPTIGA™ Authenticate NBT can be used to authenticate a disposable or accessory that connects to a main system. The main system uses one of the following communication channels to perform the challenge-response authentication:

- NFC reader, which is used to communicate to accessory's device
- Bluetooth, which is used to communicate with the host (MCU) system of the accessory. The host MCU delegates authentication to the device using I2C

2.2 Security guidance

This section provides information on how to configure and how to use the OPTIGA™ Authenticate NBT in an effective way in a customer solution.

Personalization environment

The personalization entity is responsible for:

- The generation and protection of to-be-personalized key and certificate data
- The initialization and protection of the personalization data generation infrastructure

Product delivery state and product personalization

- In the product's delivery condition, Infineon-generated keys are present
 - To validate the product's origin, the personalization entity should use the initial Infineon-generated certificate
 - When offline brand protection is used, then
 - It is recommended to personalize a customer-generated Brand Protection Signing Key (BSK) to replace the initial Infineon-generated BSK
 - The personalization entity must personalize a customer-specific certificate
 - When using COTT for online brand protection, the personalization entity must personalize a customer-specific Brand Protection MAC'ing Key (BMK). The initial BMK shall not be used for production
- The personalization entity must configure a file access policy based on the needs of the individual use case. If required by the respective use case needs, the personalization entity must protect the file access policy file (EF.FAP) by configuring respective access conditions
 - For example, an NDEF file with the write access condition "ALWAYS" can be modified in the field by any entity, erasing the certificate required for offline brand protection
- Before the product leaves the secured personalization environment, the personalization entity must change the product's life cycle state to OPERATIONAL, using the FINALIZE PERSONALIZATION command (PERSONALIZE DATA command with DGI BF6300_H)

2.3 Functional compliance

The OPTIGA™ Authenticate NBT, including its integrated Type 4 Tag application, complies with the following:

- NFC Forum Type 4 Tag Technical Specification [7]
- NFC Forum Analog Technical Specification [8]
- NFC Forum Digital Protocol Technical Specification [9]
- NFC Forum Activity Technical Specification [10]
- NFC Forum NDEF Technical Specification [11]

3 Delivery forms

3 Delivery forms

This chapter provides information about available delivery forms and how the product's interfaces are assigned to the package pins. For further information on compliance of the packages with European Parliament Directives, see [Chapter 3.2](#).

For details and recommendations on the assembly of packages on PCBs, please refer to [\[23\]](#).

3.1 SMD package

The following package is available:

- PG-USON-8-8

The figures in the sections below show the following aspects of the package:

- **Package outline:** It shows the package dimensions of the device in the individual packages
- **Package footprint:** It shows footprint recommendations
- Tape and reel packing
- **Sample marking pattern:** It describes the productive sample marking pattern on the package
- **Package layout:** It shows a simple layout with the pin numbers described in the pin-to-signal reference section

Notes:

1. The drawings are for information only and not drawn to scale. More detailed information about package characteristics and assembly instructions is available on request.
2. Unless specified otherwise, all figure dimensions are given in mm.

3.1.1 PG-USON-8-8

Package outline

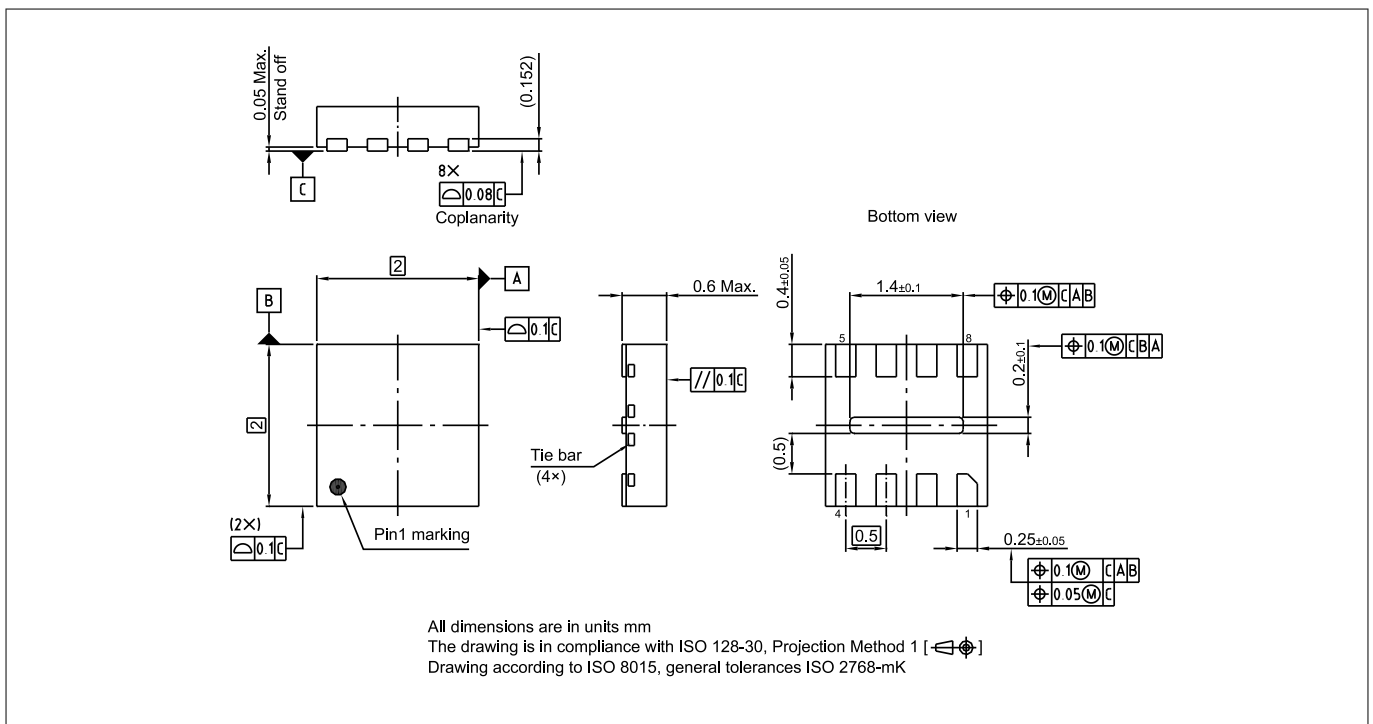


Figure 6 PG-USON-8-8 package outline

3 Delivery forms

Package footprint

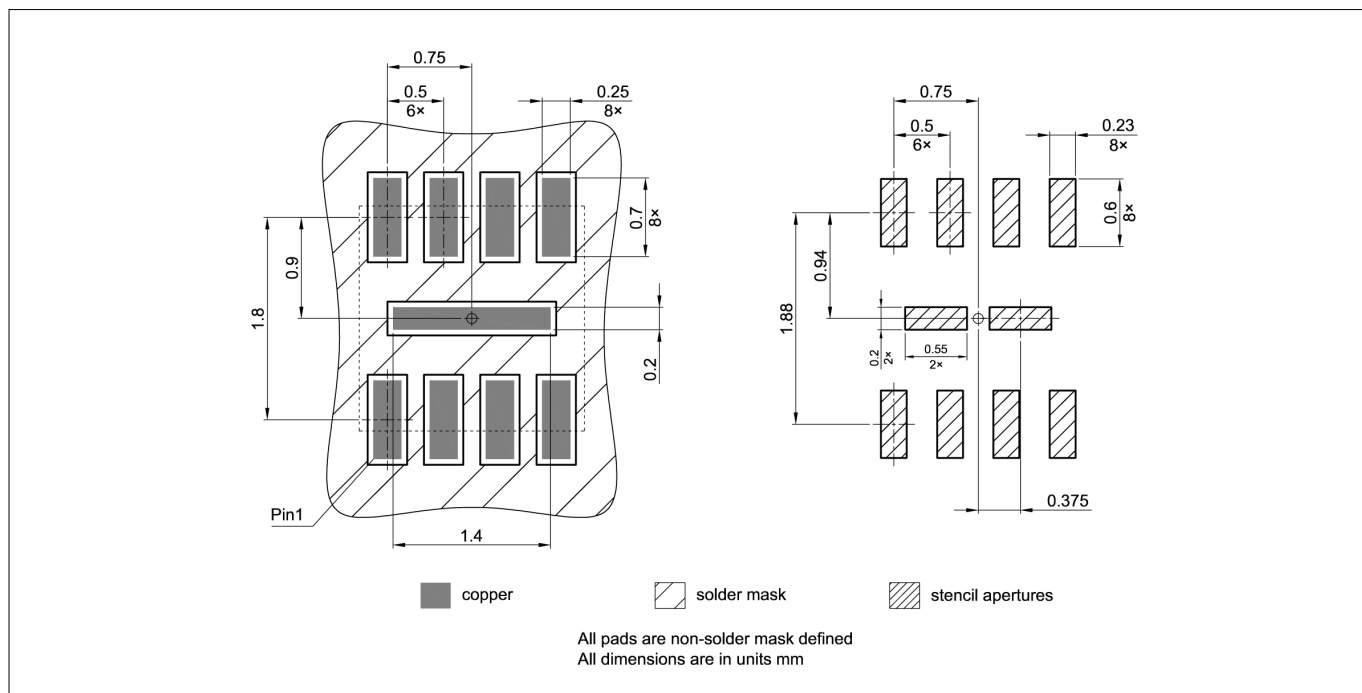


Figure 7 PG-USON-8-8 package footprint

Tape & reel packing

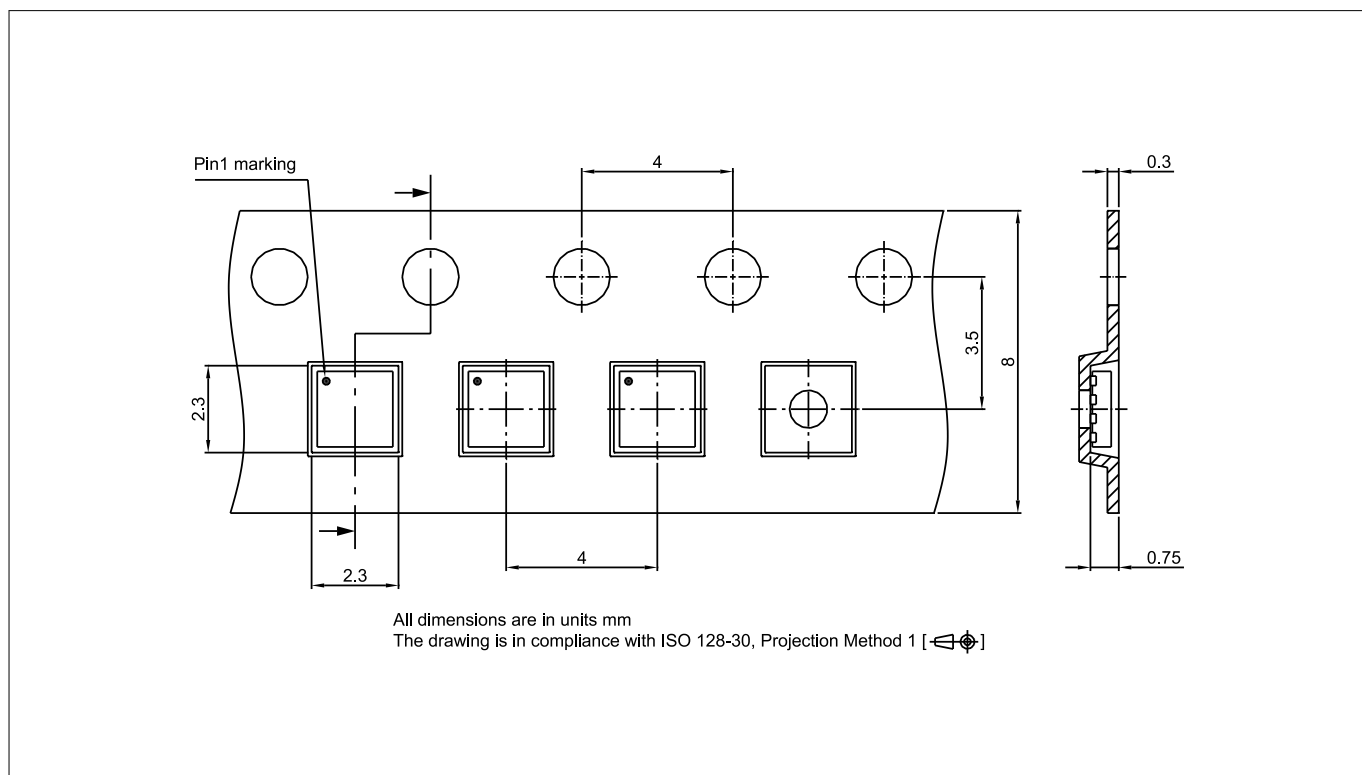


Figure 8 PG-USON-8-8 tape & reel packing

3 Delivery forms

Production sample marking pattern

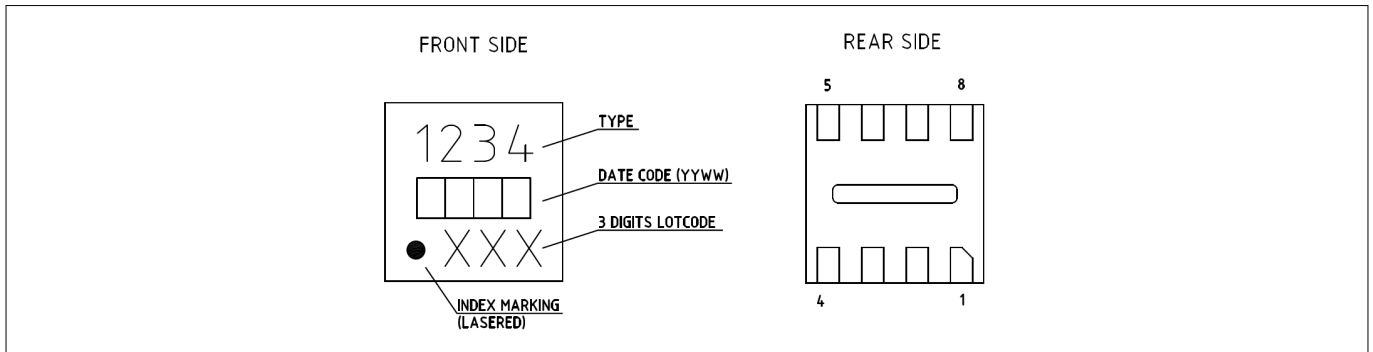


Figure 9 PG-USON-8-8 sample marking pattern

The dot indicates pin 1 for the chip. The following table describes the sample marking pattern:

Table 1 Marking table for PG-USON-8-8 packages

Indicator	Description
1234 ¹⁾	Type code <ul style="list-style-type: none"> OPTIGA™ Authenticate NBT: NBT2
□□□□	Production date: “<YYWW>”, two bytes, BCD coded <ul style="list-style-type: none"> <YY>: Production year <WW>: Production week It is inserted during fabrication
XXX	Lot code It is defined and inserted during fabrication, issued by the packaging site

1) "1234" in Figure 9 represents a wildcard.

Package layout

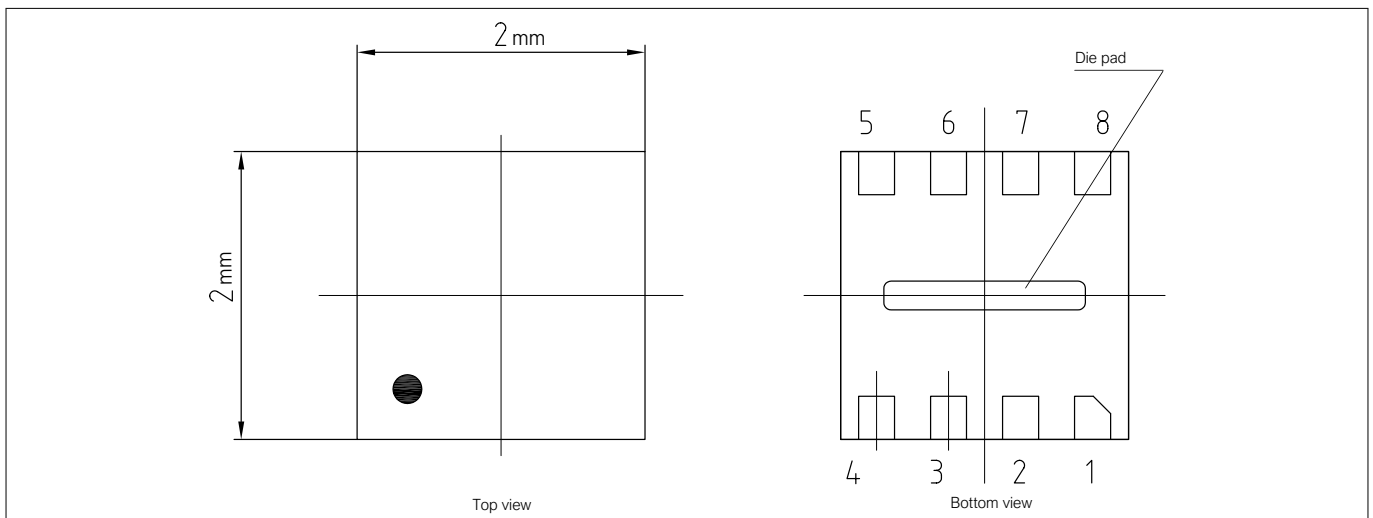


Figure 10 PG-USON-8-8 package layout

Note: *It is recommended to connect the exposed die pad to the common ground reference (GND) for heat distribution.*

3 Delivery forms

Pin-to-signal reference

Table 2 Pin-to-signal reference for PG-USON-8-8

Pin	Symbol	Pin configuration	Signal function/remarks
1	GND	GND	Power supply: Common ground reference
2	L _A	Contactless	Antenna connection: Contactless usage
3	SDA	I/O	I2C interface: Data line
4	NC	-	No internal connection
5	IRQ	Output	Interrupt: The respective output function can be configured
6	SCL	Input	I2C interface: Clock line
7	L _B	Contactless	Antenna connection: Contactless usage
8	V _{CC}	PWR	Power supply: Power and pad supply (V _{CC})

3.2 RoHS compliance

On January 27, 2003 the European Parliament and the council adopted the directives:

- 2002/95/EC on the Restriction of the use of certain Hazardous Substances in electrical and electronic equipment ("RoHS")
- 2002/96/EC on Waste Electrical and Electronic Equipment ("WEEE")

Some of these restricted (lead) or recycling-relevant (brominated flame retardants) substances are currently found in the terminations (e.g. lead finish, bumps, balls) and substrate materials or mold compounds.

The European Union has finalized the Directives. It is the member states' task to convert these Directives into national laws. Most national laws are available, some member states have extended timelines for implementation. The laws arising from these Directives have come into force in 2006 or 2007.

The electro and electronic industry has to eliminate lead and other hazardous materials from their products. In addition, discussions are on-going with regard to the separate recycling of certain materials, for example plastic containing brominated flame retardants.

Infineon is fully committed to giving its customers maximum support in their efforts to convert to lead-free and halogen-free²⁾ products. For this reason, Infineon's "Green Products" are ROHS-compliant.

Since all hazardous substances have been removed, Infineon calls its lead-free and halogen-free semiconductor packages "green." Details on Infineon's definition and upper limits for the restricted materials can be found here.

The assembly process of our high-technology semiconductor chips is an integral part of our quality strategy. Accordingly, we will accurately evaluate and test alternative materials in order to replace lead and halogen so that we end up with the same or higher quality standards for our products.

The use of lead-free solders for board assembly results in higher process temperatures and increased requirements for the heat resistivity of semiconductor packages. This issue is addressed by Infineon by a new classification of the Moisture Sensitivity Level (MSL). In a first step the existing products have been classified according to the new requirements.

²⁾ Any material used by Infineon is PBB and PBDE-free. Plastic containing brominated flame retardants, as mentioned in the WEEE directive, will be replaced if technically/economically beneficial.

3 Delivery forms



4 System architecture

4 System architecture

This section describes the product architecture, including major internal components and interfaces to common customer system architectures.

4.1 Architecture diagram

The OPTIGA™ Authenticate NBT is delivered with the following selectable applications:

- CONFIGURATOR application: Used to modify the device's hardware-related settings or configuration such as interface settings, IRQ behavior, life cycle state, and additional settings
- Type 4 Tag application: Contains application data files that are the EF.CC (Capability Container file), the NDEF file, proprietary "mailbox" files, and the EF.FAP (File Access Policy file)
- Pass-through application: This "virtual" application allows to transfer bigger amount of data between an NFC reader device and a host. The device manages the NFC protocol in terms of framing, timing, and waiting time extensions during the exchange of application commands

In a protected secure key store, the OPTIGA™ Authenticate NBT hosts the BSK (Brand Protection Signing Key) and the BMK (Brand Protection MAC'ing Key). Furthermore, the passwords used to manage the access to the application files are saved in a secured memory area.

Figure 11 depicts the main components of the product architecture of the OPTIGA™ Authenticate NBT.

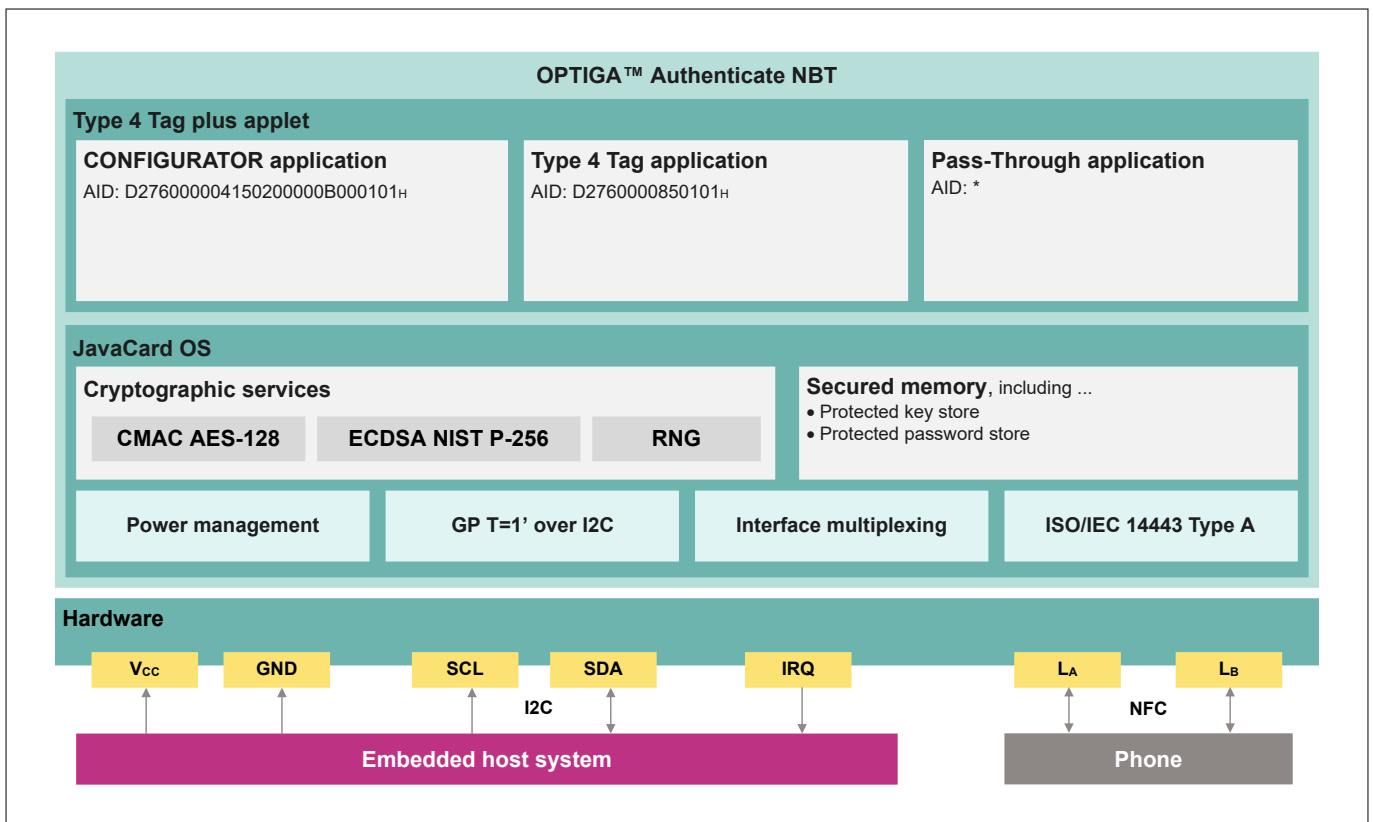


Figure 11 OPTIGA™ Authenticate NBT product architecture

The OPTIGA™ Authenticate NBT can be powered from the host system (V_{CC} , GND). The host system serves as an I2C controller, offering serial clock (SCL) and read/write serial data (SDA) to/from the device as an I2C target. The device uses the IRQ to signal RF field detection, I2C or pass-through events to the host system.

The OPTIGA™ Authenticate NBT can also be powered by NFC from a mobile phone (or any NFC Forum compliant reader device).

Note: While the OPTIGA™ Authenticate NBT is powered from the NFC reader field only, its IRQ and I2C interfaces are not functional given that they require V_{CC} supply to operate

4 System architecture

Interfaces are handled depending on the configured use case. The I2C and NFC interfaces can be operated simultaneously (refer to [Chapter 5.2.3](#)).

4.2 Component description

The OPTIGA™ Authenticate NBT hosts two applications, which are as follows:

- The **CONFIGURATOR application** (refer to [Chapter 5.2.4.1](#)) is used to adjust hardware-related configuration during the production of the host system, of which the device is an integral part
- The **Type 4 Tag application** provides the majority of personalization and operational features, including the file system and the authentication features. Refer to [Chapter 5.3.2](#) for personalization, and refer to [Chapter 5.2.5](#) for operational features

The **synchronous pass-through** application is a "virtual" application that can be activated by attempting to select an application with an AID, which is not used by the CONFIGURATOR or the Type 4 Tag application (refer to [Chapter 5.2.6.2](#)).

Table 3 Supported applications of the OPTIGA™ Authenticate NBT (real and virtual)

Application ID (AID)	Application	Functionality
D2 76 00 00 04 15 02 00 00 0B 00 01 01 _H	CONFIGURATOR	Interface configurations
D2 76 00 00 85 01 01 _H	Type 4 Tag	NFC Forum Type 4 Tag
Any other (length: 5 to 16 Bytes)	Pass-through	NFC to I2C Bridge Tag

5 Solution details

The following section provides comprehensive details about the OPTIGA™ Authenticate NBT solution, including information about the chip hardware's operational characteristics, embedded software, and implemented functionalities that enable different use cases. Additionally, the list of supported commands provides guidance on how to personalize and operate the device in the field.

5.1 Hardware details

The OPTIGA™ Authenticate NBT includes a contactless passive NFC interface and an I2C target interface for connecting to an I2C controller (host MCU). The interfaces are configurable and support following features.

I2C interface:

- Target interface, 7-bit address, initial value: 18_H
- Supported clock frequencies:
 - Standard mode (SM) 100 kHz
 - Fast mode (FM) 400 kHz
 - Fast mode plus (FM+) 1000 kHz
- Protocol: GlobalPlatform T=1' I2C [12] and [13]

NFC interface:

- 7-byte UID (fixed, programmed during manufacturing at Infineon)
- ISO/IEC 14443-4 Type A [4]
- Data rate: Up to 848 kbit/s
- Frame size: 255 bytes
- WTX handling enabled
- Chaining supported
- NFC Forum Type 4 Tag compliant (see [Chapter 2.3](#))

IRQ line:

- Configurable behavior depending on the mode of operation
 - Wake-up signal for host system
 - Indicating NFC state machine state transitions
 - Signaling I2C Data transfer
 - Initiating pass-through mode

5.1.1 Technical data

This section provides a brief overview of the absolute maximum ratings and operational characteristics of the OPTIGA™ Authenticate NBT. These include electrical AC and DC characteristics, interface characteristics and package characteristics.

Notes:

1. T_A as given for the operating temperature range of the device unless otherwise stated
2. All currents flowing into the device are considered positive

5.1.1.1 Absolute maximum ratings

This section defines the absolute maximum ratings. Stresses exceeding the values listed in [Table 4](#) may permanently damage the device. This is only a stress rating; functional operation of the device under these or any other conditions with values greater than those specified in the operational characteristics sections of this

5 Solution details

specification is not implied. Long-term exposure to absolute maximum rating conditions may have an impact on device reliability, including NVM data retention and programming endurance.

Table 4 Absolute maximum ratings

Parameter	Symbol	Values			Unit	Note or test condition
		Min.	Typ.	Max.		
Operating temperature, ambient	T_A	-25	-	+85	°C	T_J (max) must not be exceeded
Operating temperature, ambient, extended range, no NFC field available	$T_{A_EXT_NONFC}$	-40	-	+105	°C	T_J (max) must not be exceeded; maximum depends on PCB design and operating conditions
Operating temperature, ambient, extended range, NFC field available	$T_{A_EXT_NFC}$	-40	-	+85	°C	T_J (max) must not be exceeded
Junction temperature	T_J	-	-	+110	°C	T_J (max) must not be exceeded
Supply voltage	V_{CC}	-0.3	-	4.6	V	
Input voltage SDA, SCL, IRQ	$V_{IN_I2C_IRQ}$	-0.3	-	$V_{CC} + 0.3$ or 4.6	V	
Input voltage ($L_A - L_B$)	V_{IN_LALB}	-6.0	-	+6.0	V	Maximum peak-to-peak amplitude of the AC input voltage at conditions of the "Alternating magnetic field" as per ISO/IEC14443-1 [1]
Input current ($L_A - L_B$)	I_{IN_LALB}	-	-	+/-150	mA	Maximum peak-to-peak amplitude of the AC input voltage at conditions of the "Alternating magnetic field" as per ISO/IEC14443-1 [1]
ESD robustness SDA, SCL, IRQ	$V_{ESD_I2C_IRQ,HBM}$	4000	-	-	V	Human body model
ESD robustness SDA, SCL, IRQ	$V_{ESD_I2C_IRQ,CDM}$	750	-	-	V	Charge device model
ESD robustness L_A, L_B	$V_{ESD_LALB,HBM}$	3000	-	-	V	Human body model
ESD robustness L_A, L_B	$V_{ESD_LALB,CDM}$	750	-	-	V	Charge device model
ESD robustness L_A, L_B against SDA, SCL, IRQ	$V_{ESD_LALB_I2C_IRQ,HBM}$	2000	-	-	V	Human body model
ESD robustness L_A, L_B against SDA, SCL, IRQ	$V_{ESD_LALB_I2C_IRQ,CDM}$	750	-	-	V	Charge device model
NVM data retention		10	-	-	Years	$T_A = 25^\circ\text{C}$
NVM cycle endurance		200.000	-	-	Cycles	per NVM block ¹⁾

(table continues...)

5 Solution details

Table 4 (continued) Absolute maximum ratings

Parameter	Symbol	Values			Unit	Note or test condition
		Min.	Typ.	Max.		
Storage temperature	T_S	+5	-	+40	°C	Infineon-originally packed, 10..75% humidity, up to 36 months. Condensation and bedewing shall be avoided

1) NVM blocks are not individually addressable with APDUs

5.1.1.2 Operational characteristics

This section specifies the AC and DC characteristics of the OPTIGA™ Authenticate NBT, as well as details about the specific interfaces provided by the device.

5.1.1.2.1 AC electrical characteristics

This section describes the AC electrical characteristics of the device.

Table 5 AC electrical characteristics

Parameter	Symbol	Values			Unit	Note or test condition
		Min.	Typ.	Max.		
V_{CC} ramp-up time	t_{VCCR}	2 ¹⁾	-	-	µs	0 to 100% of V_{CC} target voltage ramp
Device start-up time V_{CC} powered	$t_{STARTUP_VCC}$	-	1	-	ms	$T_A = +25^\circ\text{C}$ Defines the time from power-on ($V_{CC} \geq 1.62\text{ V}$) to STANDBY mode
Device start-up time NFC field powered	$t_{STARTUP_NFC}$	-	420	-	µs	$T_A = +25^\circ\text{C}$ Class-5 reference antenna, resonance frequency: 13.8 MHz
Contactless interface initialization time	t_{INIT_NFC}	-	150	-	µs	$T_A = +25^\circ\text{C}$ Device is V_{CC} powered, NFC interface initialization time until it is ready for communication

1) At a faster supply ramp-up time the device internal ESD elements cause temporarily a cross current between V_{CC} and GND

Power-up considerations

The ramp-up times in Table 5 are based on the assumption of a linear voltage rise from 0% to 100% of the target voltage level. However, due to the possibility of current spike effects, it is recommended to follow the voltage characteristics shown in the figure below.

5 Solution details

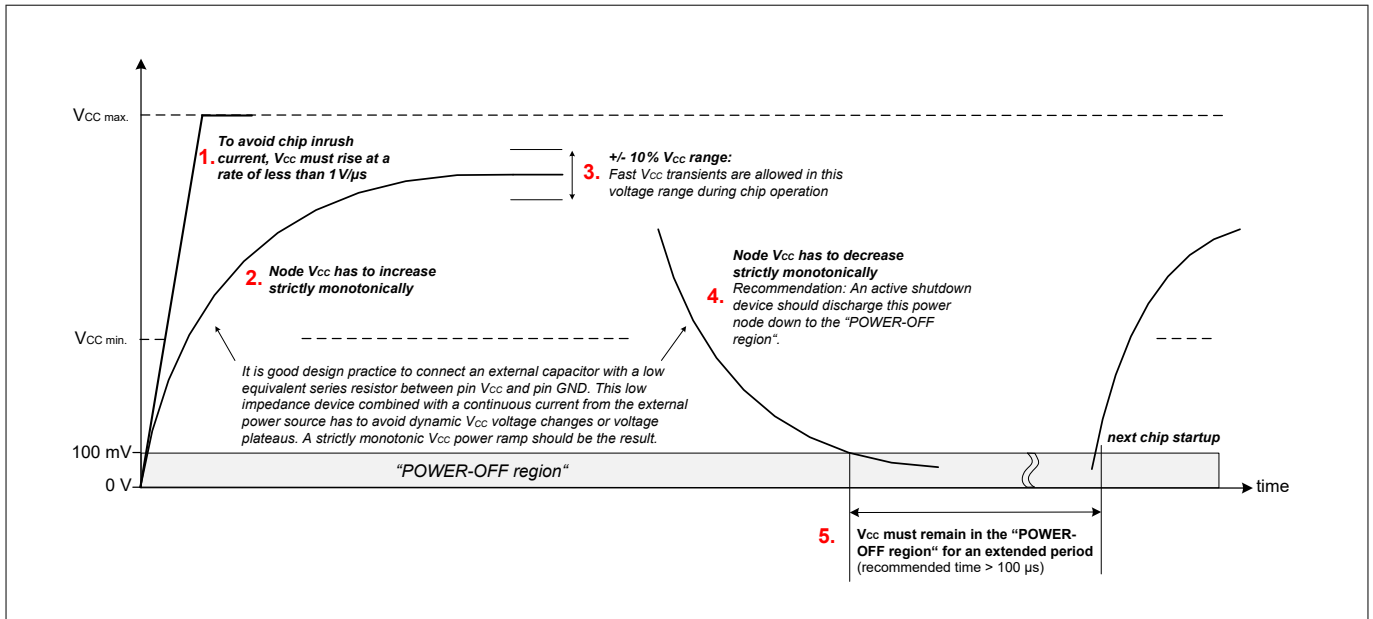


Figure 12 Recommended power-up behavior

Device start-up

After a power-on reset, the device starts by executing a boot initialization sequence before entering STANDBY mode. At the end of the start-up, the pins are re-configured for the use as I2C interface and IRQ.

Prior to re-configuration, the pins are in the hardware reset state:

- SCL and SDA: Input is enabled, output is disabled (SDA), and internal weak pull-up is enabled
- IRQ: Input is enabled, output is disabled³⁾

After the device start-up:

- SCL and SDA pins are reconfigured for I2C operation to open drain and the internal pull-up is disabled
- The IRQ pin is reconfigured to act as output (push-pull)

Figure 13 depicts the device start-up behavior and the corresponding basic timings and average currents.

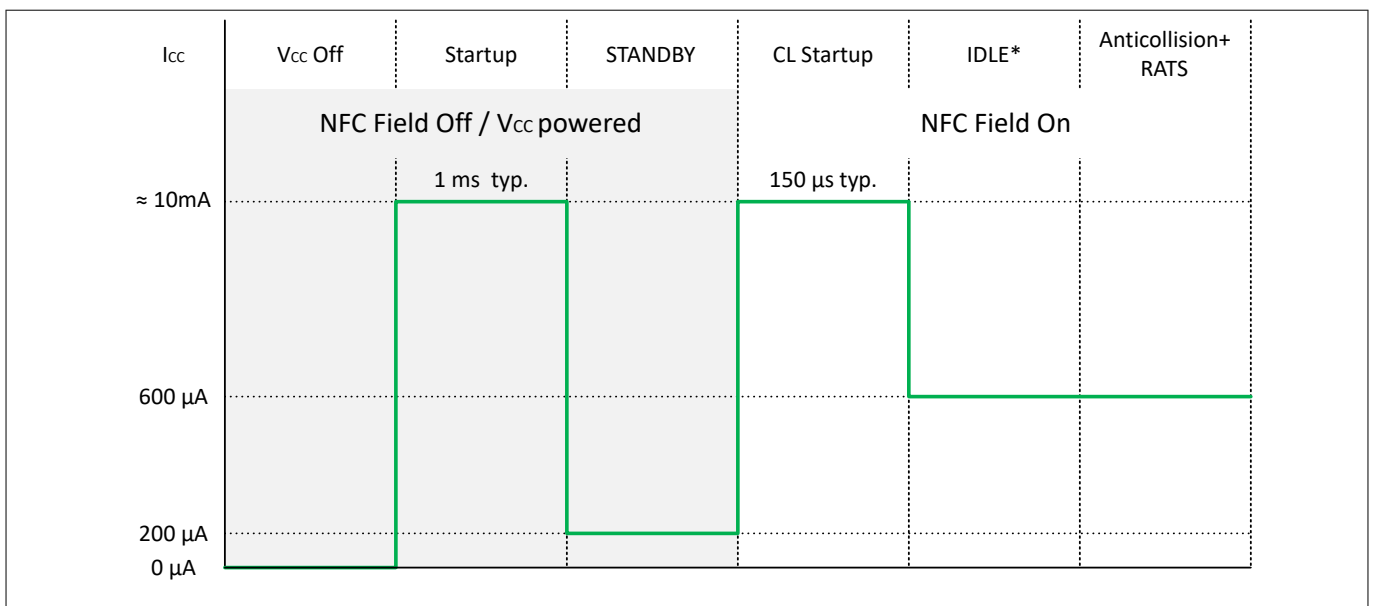


Figure 13 Device start-up behavior

³ The host system and/or external circuitry must keep the IRQ static (0 or 1) during $t_{STARTUP_VCC}$

5 Solution details

5.1.1.2.2 DC electrical characteristics

This section describes the DC electrical characteristics of the device.

Table 6 DC electrical characteristics

Parameter	Symbol	Values			Unit	Note or test condition
		Min.	Typ.	Max.		
Supply voltage	V_{CC}	1.62	-	3.63	V	Overall functional range
Supply voltage operational	V_{CC_OP}	$V_{CC_NOM} * 0.9$	-	$V_{CC_NOM} * 1.1$	V	During device operation (all states, including STANDBY) the supply voltage must stay within this range around the nominal supply voltage V_{CC_NOM} . Maximum operating voltage must stay below V_{CC_max} .
Supply current, ACTIVE mode	I_{CC_ACTIVE}	-	10.1	-	mA	$V_{CC} = 3.3\text{ V}, T_A = 25^\circ\text{C}$
Supply current, no NFC field available	I_{CC1}	-	9.9	-	mA	$V_{CC} = 1.98\text{ V}, T_A = 25^\circ\text{C}$
Supply current, no NFC field available	I_{CC2}	-	10.3	-	mA	$V_{CC} = 1.98\text{ V}, T_A = 105^\circ\text{C}$
Supply current, no NFC field available	I_{CC3}	-	10.0	-	mA	$V_{CC} = 3.63\text{ V}, T_A = 25^\circ\text{C}$
Supply current, no NFC field available	I_{CC4}	-	10.4	-	mA	$V_{CC} = 3.3\text{ V}, T_A = 105^\circ\text{C}$
Supply current, no NFC field available, current limitation enabled	I_{CC1_CURLIM}	-	4.2	-	mA	$V_{CC} = 1.98\text{ V}, T_A = 25^\circ\text{C}$ Current limitation = ON (default value: 06 _H)
Supply current, no NFC field available	I_{CC2_CURLIM}	-	4.4	-	mA	$V_{CC} = 1.98\text{ V}, T_A = 105^\circ\text{C}$ Current limitation = ON (default value: 06 _H)
Supply current, no NFC field available	I_{CC3_CURLIM}	-	4.3	-	mA	$V_{CC} = 3.63\text{ V}, T_A = 25^\circ\text{C}$ Current limitation = ON (default value: 06 _H)
Supply current, no NFC field available	I_{CC4_CURLIM}	-	4.6	-	mA	$V_{CC} = 3.63\text{ V}, T_A = 105^\circ\text{C}$ Current limitation = ON (default value: 06 _H)
Supply current IDLE mode, NFC	$I_{CC_IDLE_NFC}$	-	600	-	μA	$V_{CC} = 3.3\text{ V}, T_A = 25^\circ\text{C}$
Supply current IDLE mode, I2C	$I_{CC_IDLE_I2C}$	-	600	-	μA	$V_{CC} = 3.3\text{ V}, T_A = 25^\circ\text{C}$
Supply current STANDBY mode	$I_{CC_STANDBY}$	-	-	200	μA	$V_{CC} = 3.3\text{ V}, T_A = 25^\circ\text{C}$

5 Solution details

5.1.2 NFC interface characteristics

The interface pads to an antenna coil are L_A and L_B . The resonance frequency of the serial resonance circuit depends on the input capacitance between L_A and L_B and with the coil inductance.

The voltage obtained at the device contacts is primarily defined by the following factors:

- The RF field strength and, together with the coil geometry, the resulting induced voltage
- The resonance frequency and
- The quality factor (mainly defined by the current consumption of the OPTIGA™ Authenticate NBT)

Table 7 NFC interface characteristics

Parameter	Symbol	Values			Unit	Note or test condition
		Min.	Typ.	Max.		
Maximum input current at ($L_A - L_B$), L_B	$I_{IN_LALB_OP}$	-	-	+/-90	mA	Maximum peak input current
L_A/L_B input capacitance	C_P	-	75.6	-	pF	Tolerance +/- 10% see Note

Notes:

1. *Measurement conditions for L_A/L_B input capacitance:
Threshold point: 2.8 V_{PEAK} , 13.56 MHz, RFI in reception mode (system in STANDBY mode), device operating on contactless power; bare die only (package details available on request, please contact Infineon Technologies).*
2. *The parameter L_A/L_B input capacitance is not tested during production. Value ranges are based on measurements during qualification of the product at different technology corners.*
3. *Hints and guidelines for antenna design are available in the Antenna Design Guide document [16].*

5.1.3 I2C interface characteristics

The electrical characteristics of the I2C interface are given below.

5.1.3.1 General I2C characteristics

Table 8 I2C operational supply and input voltages

Parameter	Symbol	Values			Unit	Note or test condition
		Min.	Typ.	Max.		
Supply voltage	V_{CC}	1.62	-	3.63	V	V_{CC} to 3.3 V +10%
SDA, SCL input voltage	V_{IN_I2C}	-0.3	-	$V_{CC} + 0.5$	V	V_{IN_I2C} is the internal voltage domain for the I2C interface, which is internally connected to the V_{CC} pad
	$V_{IN_I2C_SWITCHED}$ OFF	-0.3	-	0.5	V	V_{CC} is switched off. See Note

Note: *The power supply of the OPTIGA™ Authenticate NBT must not be switched off as the device may drain significant pad input current.*

5 Solution details

5.1.3.2 I2C standard/fast mode interface characteristics

The electrical characteristics of the I2C interface are in accordance with the I2C bus specification [25] for "standard-mode" (f_{SCL} up to 100 kHz), "fast-mode" (f_{SCL} up to 400 kHz), and "fast-mode plus" (f_{SCL} up to 1 MHz), with the exceptions listed in the tables below.

Table 9 I2C standard mode interface characteristics

Parameter	Symbol	Values			Unit	Note or test condition
		Min.	Typ.	Max.		
SCL clock frequency	f_{SCL}	0	-	100	kHz	
Input low-level voltage	V_{IL}	-0.3	-	$0.3 \cdot V_{CC}$	V	
Input high-level voltage	V_{IH}	$0.7 \cdot V_{CC}$	-	$V_{CC} + 0.5$	V	
Low-level output voltage	V_{OL1}	0	-	0.4	V	Sink current 3 mA; $V_{CC} \geq 2.7$ V Sink current 2 mA; $V_{CC} < 2.7$ V
Low-level output current	I_{OL}	3 2	-	-	mA	$V_{OL} = 0.4$ V; $V_{CC} \geq 2.7$ V $V_{OL} = 0.4$ V; $V_{CC} < 2.7$ V
Output fall time from V_{IHmin} to V_{ILmax} (at device pin)	t_{OF}	-	-	250	ns	$C_b \leq 400$ pF; $V_{CC} \geq 2.7$ V $C_b \leq 200$ pF; $V_{CC} < 2.7$ V
Hold time for START (S, Sr) condition	$t_{HD;STA}$	4	-	-	μ s	
SCL low period	t_{LOW}	4.7	-	-	μ s	
SCL high period	t_{HIGH}	4.0	-	-	μ s	
Setup time for repeated START (Sr) condition	$t_{SU;STA}$	4.7	-	-	μ s	
SDA hold time	$t_{HD;DAT}$	0	-	-	ns	
SDA input setup time	$t_{SU;DAT}$	250	-	-	ns	
SDA/SCL rise time (bus line)	t_r	-	-	1000	ns	
SDA fall time (bus line, input)	t_{fSDA}	-	-	300	ns	
SCL fall time (bus line, input)	t_{fSCL}	-	-	300	ns	
Setup time for STOP (P) condition	$t_{SU;STO}$	4.0	-	-	μ s	

(table continues...)

5 Solution details

Table 9 (continued) I2C standard mode interface characteristics

Parameter	Symbol	Values			Unit	Note or test condition
		Min.	Typ.	Max.		
Bus free time between STOP (P) and START (S) condition	t_{BUF}	4.7	-	-	μs	
SDA output valid time	$t_{VD;DAT}$	-	-	3.45	μs	
Input capacitance (package pin)	C_I	-	9	15	pF	
Capacitance load for each bus line	C_b	-	-	400 200	pF	$V_{CC} \geq 2.7 V$ $V_{CC} < 2.7 V$

Table 10 I2C fast mode interface characteristics

Parameter	Symbol	Values			Unit	Note or test condition
		Min.	Typ.	Max.		
SCL clock frequency	f_{SCL}	0	-	400	kHz	
Input low-level voltage	V_{IL}	-0.3	-	$0.3 \cdot V_{CC}$	V	
Input high-level voltage	V_{IH}	$0.7 \cdot V_{CC}$	-	$V_{CC} + 0.5$	V	
Low-level output voltage	V_{OL1}	0	-	0.4	V	Sink current 3 mA; $V_{CC} \geq 2.7 V$ Sink current 2 mA; $V_{CC} < 2.7 V$
Low-level output voltage	V_{OL2}	0	-	$0.2 \cdot V_{CC}$	V	Sink current 2 mA; $V_{CC} \leq 2 V$
Low-level output current	$I_{OL(0.4)}$	3 2	-	-	mA	$V_{OL} = 0.4 V; V_{CC} \geq 2.7 V$ $V_{OL} = 0.4 V; V_{CC} < 2.7 V$
Output fall time from V_{IHmin} to V_{ILmax} (at device pin)	t_{OF}	-	-	250	ns	$C_b \leq 400 pF; V_{CC} \geq 2.7 V$ $C_b \leq 200 pF; V_{CC} < 2.7 V$
Output fall time from V_{IHmin} to V_{ILmax} (at device pin)	t_{OF}	$20 \cdot V_{CC} / 5.5 V$	-	250	ns	$C_b = 400 pF$
Spikes suppressed by input filters	t_{SP}	-	-	50	ns	
Hold time for START (S, Sr) condition	$t_{HD;STA}$	0.6	-	-	μs	
SCL low period	t_{LOW}	1.3	-	-	μs	

(table continues...)

5 Solution details

Table 10 (continued) I2C fast mode interface characteristics

Parameter	Symbol	Values			Unit	Note or test condition
		Min.	Typ.	Max.		
SCL high period	t_{HIGH}	0.6	-	-	μs	
Setup time for repeated START (Sr) condition	$t_{SU;STA}$	0.6	-	-	μs	
SDA hold time	$t_{HD;DAT}$	0	-	-	ns	
SDA input setup time	$t_{SU;DAT}$	100	-	-	ns	
SDA/SCL rise time (bus line)	t_r	20	-	300	ns	
SDA fall time (bus line, input)	t_{fSDA}	-	-	300	ns	
SCL fall time (bus line, input)	t_{fSCL}	-	-	300	ns	
Setup time for STOP (P) condition	$t_{SU;STO}$	0.6	-	-	μs	
Bus free time between STOP (P) and START (S) condition	t_{BUF}	1.3	-	-	μs	
SDA output valid time	$t_{VD;DAT}$	-	-	0.9	μs	
Input capacitance (package pin)	C_I	-	9	15	pF	
Capacitance load for each bus line	C_b	-	-	400 200	pF	$V_{CC} \geq 2.7 V$ $V_{CC} < 2.7 V$

5.1.3.3 I2C fast mode plus interface characteristics

The electrical characteristics of the I2C interface are in accordance with the I2C bus specification [25] for "fast mode plus" (f_{SCL} up to 1 MHz), with a few exceptions listed in the table below.

Table 11 I2C fast mode interface characteristics

Parameter	Symbol	Values			Unit	Note or test condition
		Min.	Typ.	Max.		
SCL clock frequency	f_{SCL}	0	-	1	MHz	
Input low-level voltage	V_{IL}	-0.3	-	$0.3 \cdot V_{CC}$	V	
Input high-level voltage	V_{IH}	$0.7 \cdot V_{CC}$	-	$V_{CC} + 0.5$	V	

(table continues...)

5 Solution details

Table 11 (continued) I2C fast mode interface characteristics

Parameter	Symbol	Values			Unit	Note or test condition
		Min.	Typ.	Max.		
Low-level output voltage	V_{OL1}	0	-	0.4	V	Sink current 3 mA; $V_{CC} \geq 2.7$ V Sink current 2 mA; $V_{CC} < 2.7$ V
Low-level output current	I_{OL}	3 2	-	-	mA	$V_{OL} = 0.4$ V; $V_{CC} \geq 2.7$ V $V_{OL} = 0.4$ V; $V_{CC} < 2.7$ V
Output fall time from V_{IHmin} to V_{ILmax} (at device pin)	t_{OF}	-	-	120	ns	$C_b \leq 150$ pF
Spikes suppressed by input filters	t_{SP}	-	-	50	ns	
Hold time for START (S, Sr) condition	$t_{HD;STA}$	260	-	-	ns	
SCL low period	t_{LOW}	500	-	-	ns	
SCL high period	t_{HIGH}	260	-	-	ns	
Setup time for repeated START (Sr) condition	$t_{SU;STA}$	260	-	-	ns	
SDA hold time	$t_{HD;DAT}$	0	-	-	ns	
SDA input setup time	$t_{SU;DAT}$	50	-	-	ns	
SDA/SCL rise time (bus line)	t_r	-	-	120	ns	
SDA fall time (bus line, input)	t_{fSDA}	-	-	120	ns	
SCL fall time (bus line, input)	t_{fSCL}	-	-	120	ns	
Setup time for STOP (P) condition	$t_{SU;STO}$	260	-	-	ns	
Bus free time between STOP (P) and START (S) condition	t_{BUF}	500	-	-	ns	
SDA output valid time	$t_{VD;DAT}$	-	-	450	ns	
Input capacitance (package pin)	C_I	-	9	15	pF	
Capacitance load for each bus line	C_b	-	-	150	pF	

5 Solution details

5.1.4 IRQ interface characteristics

The electrical characteristics of the OPTIGA™ Authenticate NBT's IRQ pin, including restrictions on maximum sink / source currents, are listed below.

Table 12 DC electrical characteristics of the IRQ

Parameter	Symbol	Values			Unit	Note or test condition
		Min.	Typ.	Max.		
Output low voltage	V_{OL}	-	-	0.3	V	$I_{OL} = 1 \text{ mA}$
Output low voltage	V_{OL}	-	-	0.4	V	$I_{OL} = 4 \text{ mA}$ $V_{CC} \geq 2.7 \text{ V}$
Output low current	I_{OL}	1	-	-	mA	$V_{OL} = 0.3 \text{ V}$
Output low current	I_{OL}	4	-	-	mA	$V_{OL} = 0.4 \text{ V}$ $V_{CC} \geq 2.7 \text{ V}$
Output high voltage	V_{OH}	$V_{CC} - 0.3$	-	-	V	$I_{OL} = -1 \text{ mA}$
Output high voltage	V_{OH}	$V_{CC} - 0.4$	-	-	V	$I_{OL} = -4 \text{ mA}$ $V_{CC} \geq 2.7 \text{ V}$
Output high current	I_{OH}	-1	-	-	mA	$V_{OH} = V_{CC} - 0.3 \text{ V}$
Output high current	I_{OH}	-4	-	-	mA	$V_{OH} = V_{CC} - 0.4 \text{ V}$ $V_{CC} \geq 2.7 \text{ V}$
Input capacitance	C_{IN_IRQ}	-	9	15	pF	Pad capacitance is subject to process variation and depending on supply voltage (increasing capacitance at lower supply)

Note: The power supply of the OPTIGA™ Authenticate NBT must not be switched off as the device may drain significant pad input current.

Table 13 AC electrical characteristics of the IRQ

Parameter	Symbol	Values			Unit	Note or test condition
		Min.	Typ.	Max.		
Output signal rise time	t_r	-	4.5	15	ns	10% V_{CC} to 90% V_{CC} $C_{LOAD} = 15 \text{ pF}$ pull-up/pull-down: off no DC load
Output signal fall time	t_f	-	4.5	15	ns	90% V_{CC} to 10% V_{CC} $C_{LOAD} = 15 \text{ pF}$ pull-up/pull-down: off no DC load

5.1.5 Package characteristics

The overall thermal performance of a package in a system is generally characterized by junction-to-ambient thermal resistance chains. Typically, the application of the device defines the thermal requirements of the

5 Solution details

system while the package type and outline defines the boundary conditions for implementing the thermal management on the PCB assembly.

Table 14 PG-USON-8-8 package characteristics

Parameter	Symbol	Values			Unit	Note or test condition
		Min.	Typ.	Max.		
Thermal resistance	R_{th-ja}	-	58.1	-	K/W	JEDEC 2s2p board and PG-USON-8-8 package; exposed die pad of package connected to common ground (GND) for heat distribution with two vias
Thermal resistance case to top of package	$R_{th-jCtop}$	-	96.4	-	K/W	Exposed die pad of PG-USON-8-8 package connected to common ground (GND) for heat distribution with two vias. See Figure 14
Thermal resistance pins and case to bottom of package	$R_{th-jpins_Cbot}$	-	6.44	-	K/W	Exposed die pad of PG-USON-8-8 package connected to common ground (GND) for heat distribution with two vias. See Figure 14

[Figure 14](#) shows the thermal equivalent circuit of the packaged device.

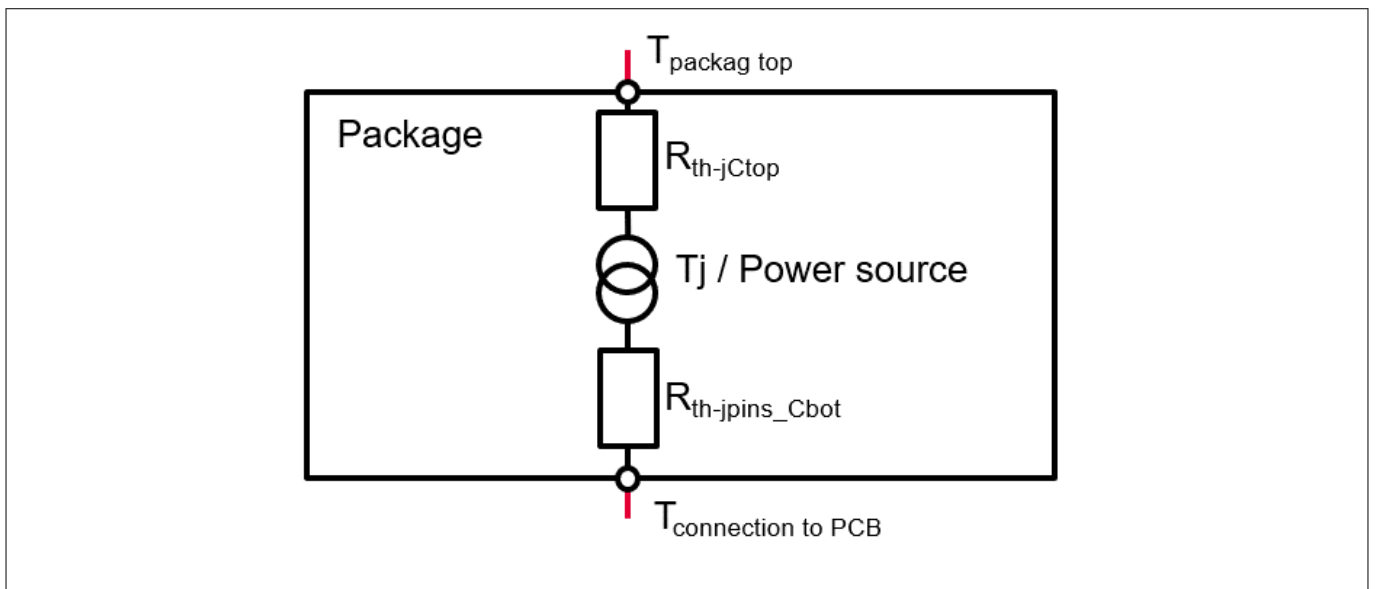


Figure 14 Package characteristics

5 Solution details

5.1.6 Hardware integration diagram

This section list some key principles for the integration of the OPTIGA™ Authenticate NBT in various application use cases. The device can operate as a standalone device without requiring any connection to a host. The device must be connected to an NFC antenna through its L_A and L_B pins to obtain energy from the electromagnetic field the NFC reader. [Figure 15](#) illustrates the NFC-only tag configuration.

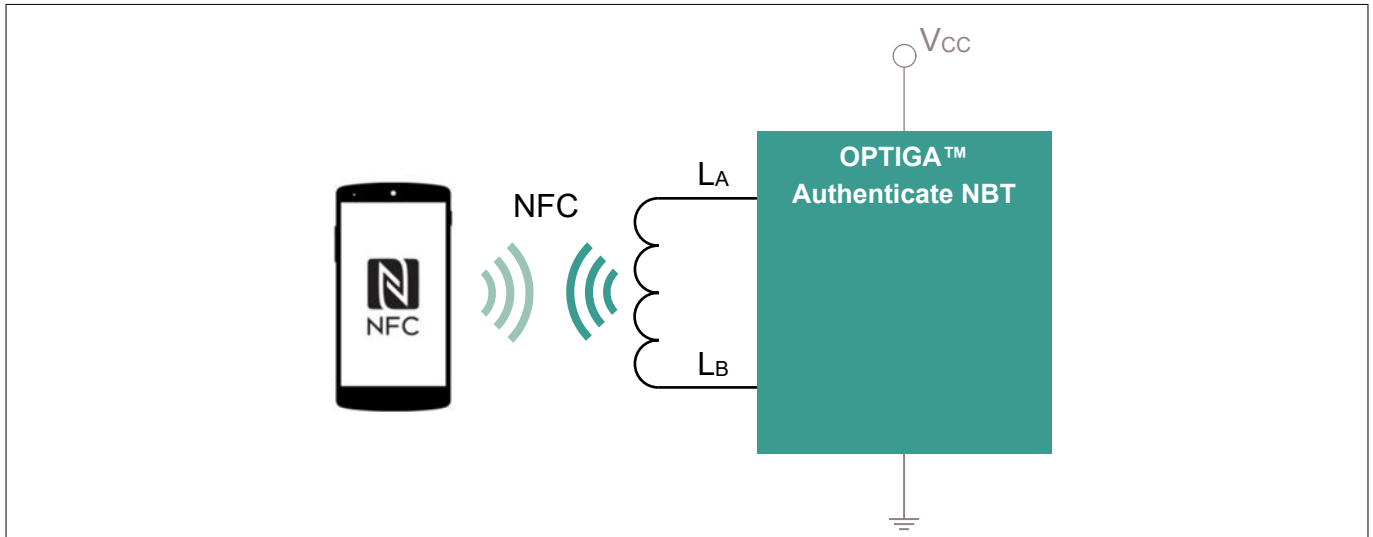


Figure 15 NFC-only tag

The tag may also be connected to an external supply via its power pins (V_{CC} , GND). In this scenario, the OPTIGA™ Authenticate NBT is powered from this external supply and may communicate with the NFC reader in the range of its NFC antenna.

In NFC-to-I2C bridge use cases, the OPTIGA™ Authenticate NBT is embedded into a system that includes a host MCU and an NFC antenna. The device is externally supplied from the host system through its power pins V_{CC} and GND and is connected to the host MCU via its I2C target interface (see [Figure 16](#)).

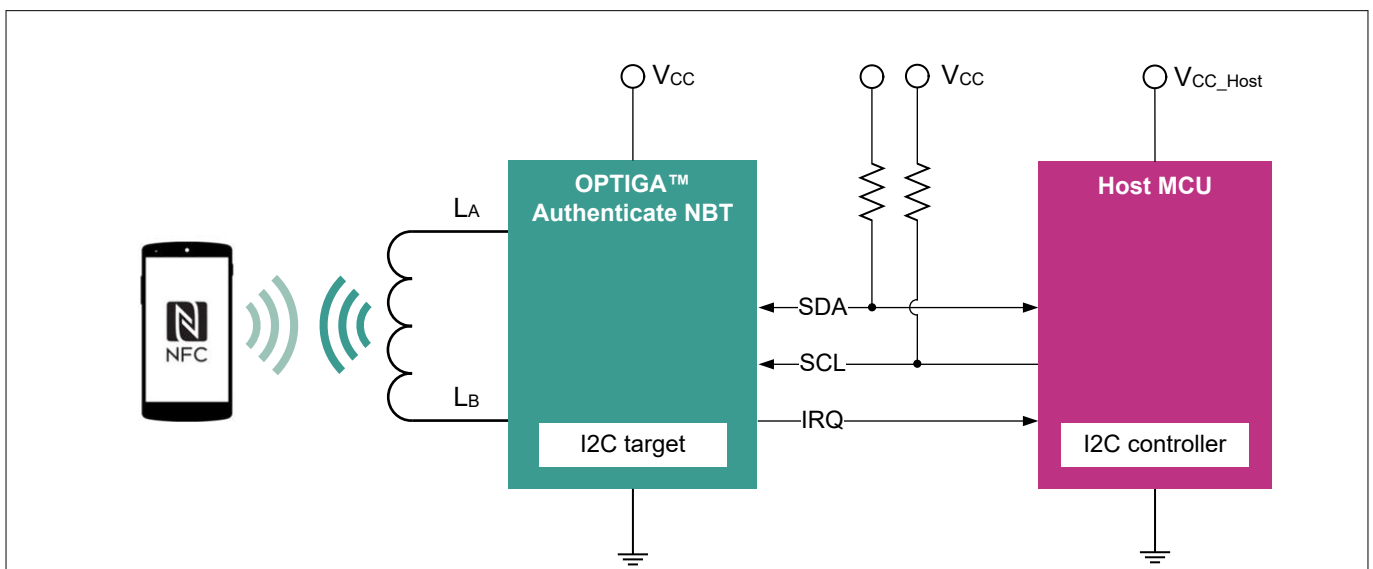


Figure 16 Bridge tag

While the host MCU and the OPTIGA™ Authenticate NBT may be powered with different voltages (V_{CC_Host} and V_{CC}), a single voltage domain is preferred to avoid the usage of level shifters. V_{CC} must not exceed the allowed input voltage levels of the I2C controller device.

For more information on hardware integration, refer to [\[17\]](#).

5 Solution details

5.2 Embedded software

The embedded software primarily aims to manage the following tasks:

- Communication interfaces and protocols
- Power states and communication modes
- Product administration
- Product life cycle states and transitions
- Use cases operation

5.2.1 Communication interfaces

The product supports two communication interfaces:

- I2C protocol implementation, according to [\[13\]](#)
- NFC protocol implementation, according to ISO/IEC 14443 standard, Type A [\[3\]](#)[\[4\]](#)

In the delivery configuration, both interfaces are active after the startup of the OPTIGA™ Authenticate NBT, however the interfaces can only be used in a mutually exclusive manner.

In case an NFC reader is selecting the Type 4 Tag application on the OPTIGA™ Authenticate NBT, then the device is locked into the NFC communication mode for the duration while the NFC field is present. During an active NFC session, I2C requests will not be acknowledged.

In case I2C communication is initiated, the device will remain in the I2C communication mode for the duration while the host is active and the preset I2C idle timeout is not yet expired. During an active I2C session, NFC communication will not be acknowledged.

The OPTIGA™ Authenticate NBT handles both interfaces without the need for a power cycle. Furthermore, it supports two modes of operation and employs different communication models:

- [Asynchronous data transfer](#)
- [Synchronous pass-through communication](#)

These are the conditions that need to be met to switch the communication interface:

- From I2C to NFC is only possible when the device is in STANDBY state (preset I2C idle timeout expired)
- From NFC to I2C is only possible when the NFC field is removed

Refer to [Chapter 5.2.3](#) for more details.

[Figure 17](#) illustrates interface handling and emphasizes on the mutual exclusive usage of communication interfaces.

5 Solution details

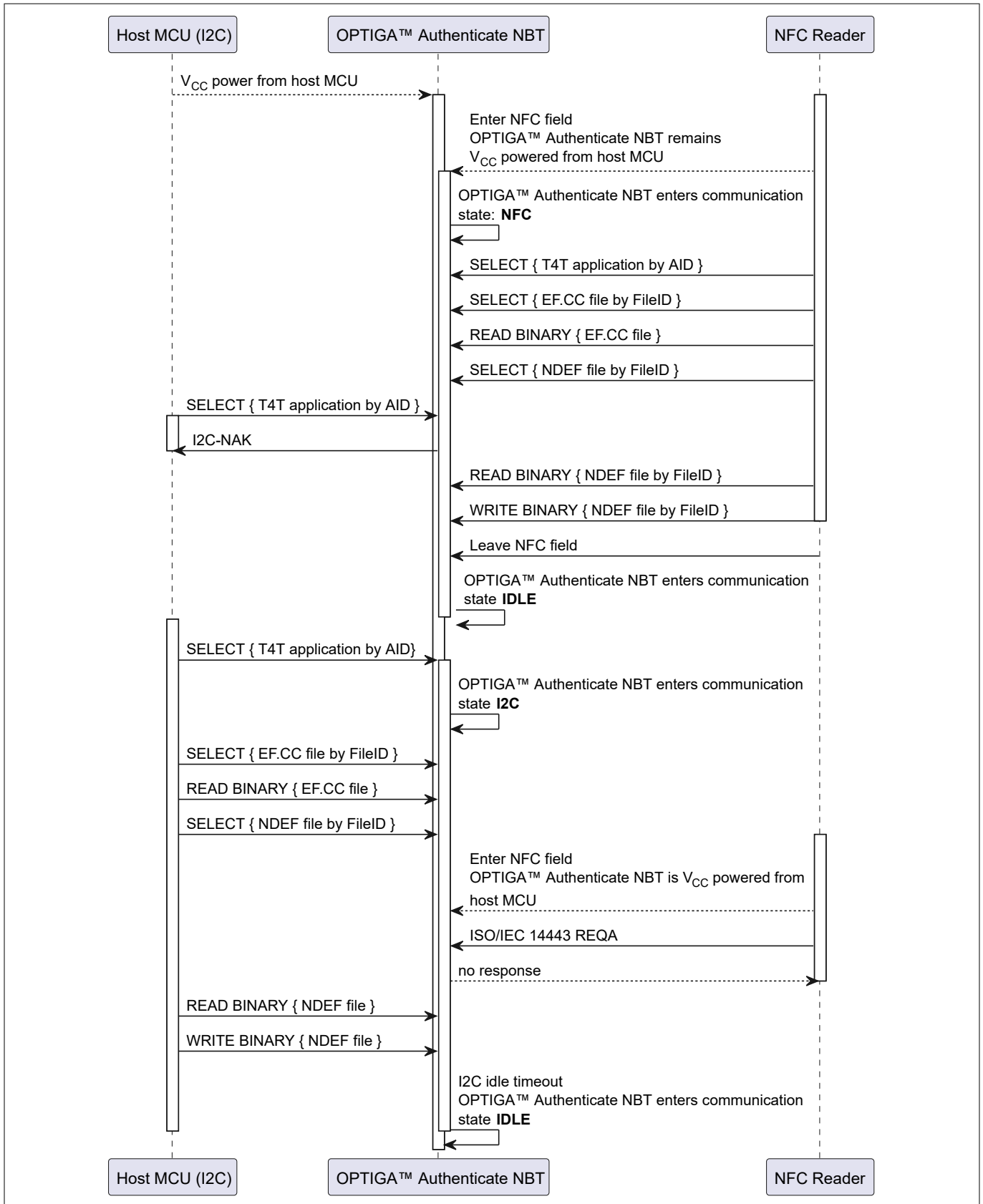


Figure 17 Communication interface handling

Depending on the targeted use case, the customer may also choose to disable one of the communication interfaces (NFC or I2C). For setting up the communication interface, refer to [Table 15](#).

5 Solution details

IRQ pin usage

The IRQ line of the OPTIGA™ Authenticate NBT can be configured for one of the following functions:

- signaling NFC state machine state transitions
- I2C data ready interrupt, see [Chapter 5.2.1.1](#)
- NFC-to-I2C pass through data available signaling, see [Chapter 5.2.6.2](#)

NFC event types

If the IRQ line is configured to signal transitions of the NFC state machine it can be used to trigger an event or wake up the host system.

The signaling of NFC events can be configured for one of the following events:

- NFC field presence
- activation of ISO/IEC 14443 Layer 4 (application layer)
- APDU processing stage

Note: The [SET CONFIGURATION](#) command is used to configure the OPTIGA™ Authenticate NBT. Refer to the [Chapter 5.2.4.1](#) for configuration instructions.

5.2.1.1 I2C protocol

The I2C communication protocol is implemented according to [\[13\]](#).

The I2C communication interface supports the following features:

- Target interface, 7-bit address, initial device address: 18_H
- Supported clock frequencies
 - Standard mode (SM) 100 kHz
 - Fast mode (FM) 400 kHz
 - Fast mode plus (FM+) 1000 kHz
- Clock stretching is not supported
- The OPTIGA™ Authenticate NBT implements a proprietary power saving method:
 - Enters IDLE power state immediately after sending a response
 - Enters STANDBY power state when the I2C idle timeout expires
- Two modes are supported to detect if the device is ready to send data:
 - Polling mechanism
 - Data ready interrupt mechanism over the IRQ (I2C-IRQ), according to the GP T=1' protocol specification

For available configuration options, refer to [Table 15](#).

5.2.1.2 NFC protocol

The NFC communication protocol is according to [\[9\]](#).

The NFC communication interface supports following features:

- 7-byte UID (fixed, programmed during manufacturing at Infineon)
- ISO/IEC 14443-4 Type A
- Data rate: Up to 848 kbit/s
- Frame size: 255 bytes
- WTX handling enabled
- Chaining supported
- NFC Forum Type 4 Tag compliant

5 Solution details

5.2.2 Product life cycle states

The OPTIGA™ Authenticate NBT supports two life cycle states:

- **PERSONALIZATION state:** The device will be in the PERSONALIZATION state at the time of delivery. In this life cycle state, application developers can unconditionally modify the specific settings to prepare the device for the targeted use case. This covers:
 - Interface configurations
 - File access conditions and passwords
 - Cryptographic keys
 - File content

When the product configuration and the data personalization steps are finished, the OPTIGA™ Authenticate NBT can be switched to the OPERATIONAL life cycle state.

- **OPERATIONAL state:** In this state, the device is ready to be used in the target application scenario. Product configuration functions are disabled. Configured file access policies prevent unverified operations on the file (based on the use case configuration). When the product is in OPERATIONAL state, the life cycle cannot be restored to PERSONALIZATION state and the configuration is locked

Note: Prior to distribution to the end customers, the application developer must ensure that the product is in OPERATIONAL state to prevent unintended modification of the chip configurations and application data.

Note: The SET CONFIGURATION command or the PERSONALIZE DATA command can be used to trigger this life cycle state transition.

5.2.3 Power and communication states

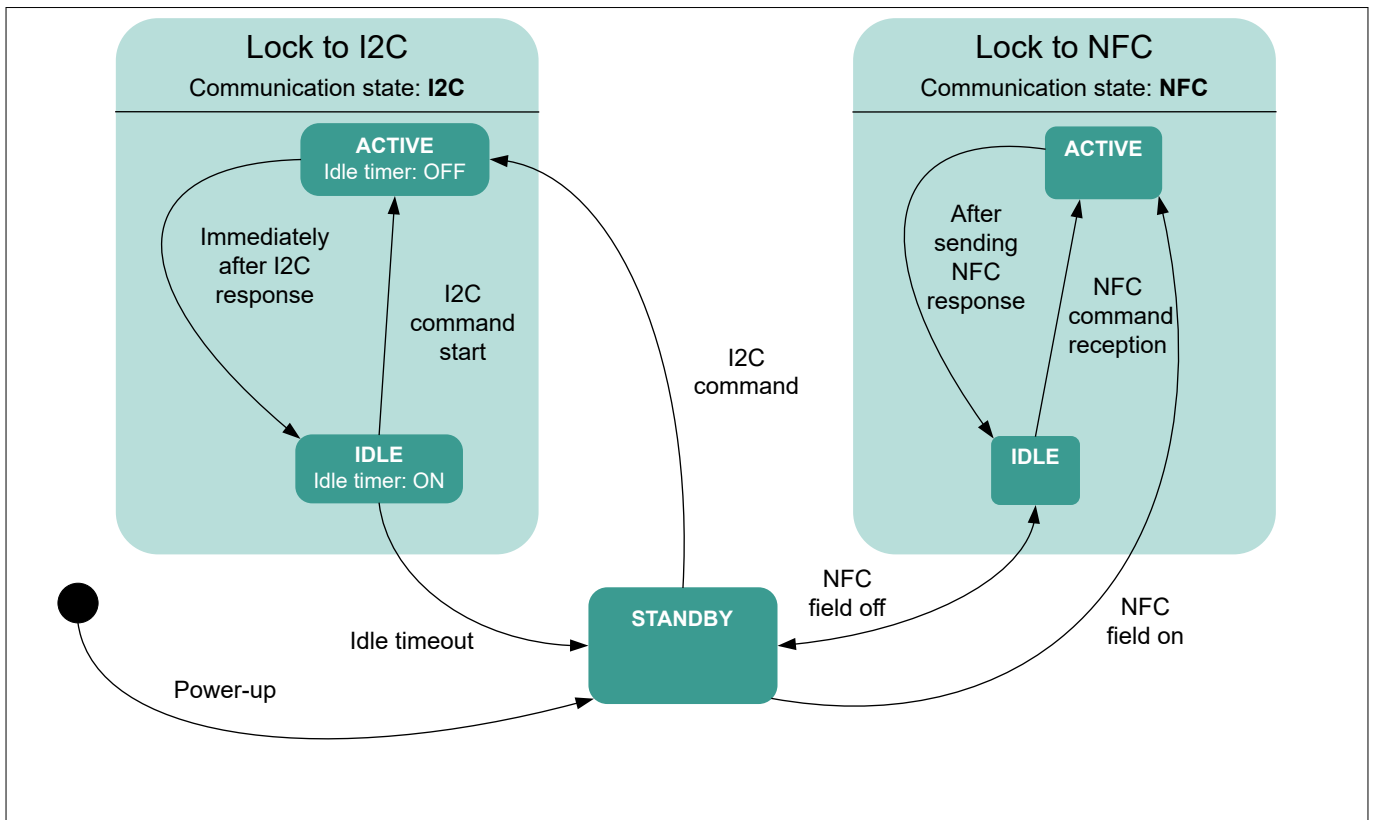


Figure 18 Power and communication states

5 Solution details

The OPTIGA™ Authenticate NBT can either be powered from the RF field of an NFC reader or from an external supply via its power pins (V_{CC}, GND). In case the device is powered from the NFC field, communication over I2C/IRQ is not possible.

After a power-on reset, the device starts by executing a boot initialization sequence before entering STANDBY mode (see [Power-up considerations](#)).

If the I2C communication is active, the OPTIGA™ Authenticate NBT is locked into I2C operation. The device will enter the IDLE state immediately after processing and sending the response to an I2C command. It will return to STANDBY state once the preset I2C idle timeout expires (see [Table 15](#) and [Chapter 5.3](#)).

The OPTIGA™ Authenticate NBT power reset may be achieved in the following ways:

- While powered by the NFC field only, remove the device from the field
- While in V_{CC} powered mode (V_{CC}, GND) either by:
 - Power cycle, or
 - I2C software reset (SWR)

5.2.4 Product administration

The OPTIGA™ Authenticate NBT provides a set of administrative parameters to configure the device for the targeted use case. The following chip settings can be modified to prepare the device accordingly:

- Configuration of the hardware, communication interface and IRQ settings
- File access rights to user data files can be specified based on application requirements
- Update/exchange of the symmetric AES-128 key (BMK)
- Update/exchange of the asymmetric ECC key (BSK) to match the customer-specific certificate

Specific parameter values can either be read from (GET CONFIGURATION) or written to (SET CONFIGURATION) the OPTIGA™ Authenticate NBT after selecting the CONFIGURATOR applet.

5.2.4.1 Hardware configuration

Here are the features and functionalities that can be configured on the OPTIGA™ Authenticate NBT:

- Interface activation/deactivation
- Behavior of the IRQ line: Function, assert level, output type
- NFC IRQ event type: RF field detection, Layer-4 entry
- I2C interface configuration: Target address, idle time out, I2C data rate
- NFC interface configuration: UID type, ATS response, WTX mode
- Life cycle state transition
- Current limitation: Activation and adjustment

[Table 15](#) provides a list of parameters and possible values.

In order to enable administrative operations the CONFIGURATOR applet must be successfully selected. The configuration changes will be activated only after a device restart by either a power cycle or a software reset (SWR) triggered through the I2C interface.

Table 15 Configuration reference table

Tag	Length [bytes]	Value	GET CONFIGURATION	SET CONFIGURATION ¹⁾	Description
C020 _H	10 _H		✓		Product short name
C021 _H	02 _H		✓	✓	Product life cycle states (see Chapter 5.2.2)
		5AA5 _H			PERSONALIZATION state
		C33C _H			OPERATIONAL state

(table continues...)

5 Solution details

Table 15 (continued) Configuration reference table

Tag	Length [bytes]	Value	GET CONFIGURATION	SET CONFIGURATION ¹⁾	Description
C022 _H	08 _H		✓		Software version information
C028 _H	04 _H		✓		Manufacturer specific data
C029 _H	04 _H		✓		Manufacturer specific data
C030 _H	01 _H		✓	✓	IRQ function
		01 _H			Disabled
		02 _H			NFC-IRQ: NFC IRQ output, see Chapter 5.2.1
		03 _H			I2C-IRQ: I2C data ready IRQ output, see Chapter 5.2.1.1
		04 _H			PT-IRQ: NFC-I2C pass-through IRQ output, see Chapter 5.2.6.2
C031 _H	01 _H		✓	✓	IRQ assert level
		01 _H			Low level active
		02 _H			High level active
C032 _H	01 _H		✓	✓	IRQ output type
		01 _H			Push-pull
		02 _H			Open-drain
C033 _H	01 _H		✓	✓	IRQ pull type
		01 _H			No pull
		02 _H			Pull up
		03 _H			Pull down
C034 _H	01 _H		✓	✓	NFC IRQ event type
		01 _H			RF field presence
		02 _H			Layer 4 entry
		03 _H			APDU processing stage
C040 _H	04 _H		✓	✓	I2C idle timeout
		XXXXXXXX _H			I2C idle timeout defined in milliseconds ²⁾ , see Chapter 5.2.3
C041 _H	01 _H		✓	✓	I2C drive strength
		01 _H			Weak
		02 _H			Strong
C042 _H	01 _H		✓	✓	I2C speed ^{3) 4)}
		00 _H			100 kHz
		01 _H			400 kHz
		02 _H			1000 kHz
C043 _H	01 _H		✓	✓	I2C target address

(table continues...)

5 Solution details

Table 15 (continued) Configuration reference table

Tag	Length [bytes]	Value	GET CONFIGURATION	SET CONFIGURATION ¹⁾	Description
		XX _H			I2C target address according to I2C bus specification
C050 _H	0E _H		✓	✓	NFC ATS configuration ⁵⁾
					ATS according to ISO/IEC 14443 Type A ^{6) 7)}
C051 _H	01 _H		✓	✓	NFC WTX mode ⁸⁾
		00 _H			Manual WTX sending
		01 _H ..3B _H			Automatic WTX sending with this value as WTXM multiplier
C052 _H	FF0138 _H		✓	✓	NFC RF hardware configuration ⁹⁾
					Use only Infineon provided calibration values ¹⁰⁾
C053 _H	01 _H		✓	✓	NFC UID type for anti-collision
		00 _H			Unique device specific 7-byte NFC UID
		01 _H			Random 4-byte NFC UID
C060 _H	01 _H		✓	✓	Communication interface enable
		01 _H			NFC disabled I2C enabled
		10 _H			NFC enabled I2C disabled
		11 _H			NFC enabled I2C enabled
C061 _H	01 _H		✓	✓	Current limitation
		01 _H			No current limitation
		02 _H			Current limitation enabled ¹¹⁾
C062 _H	01 _H		✓	✓	Current limitation configuration
		02 _H ..1F _H			Use only Infineon provided calibration values

- 1) Limited to PERSONALIZATION life cycle state
- 2) Low values will have a negative effect on communication performance. The minimal accepted value is 2 x polling time, however, it is not smaller than 10 ms
- 3) Lower communication speeds can always be initiated by the host
- 4) Lowering the speed allows for higher I2C line capacitance
- 5) Incorrect settings will result in NFC communication issues
- 6) The first byte of the ATS string must contain the total length of the ATS string
- 7) Incorrect settings will result in NFC communication issues
- 8) Incorrect settings will result in NFC communication issues
- 9) The configuration is limited to PERSONALIZATION life cycle state
- 10) Attention: Incorrect settings will render the NFC interface unusable
- 11) See table [Table 6](#) for typical current consumption

Note: Changes of interface configurations are restricted to the PERSONALIZATION life cycle state (refer to [Chapter 5.2.2](#)).

5 Solution details

Note: Default product configuration is summarized in [Table 24](#).

5.2.4.2 File access policy

The EF.FAP file contains file access policy settings for any file within the application (EF.CC, EF.NDEF, the four proprietary EFs, and EF.FAP). The FAP is used to manage operations on a per-file and per-interface basis. For more information on the EF.FAP file, refer to [Chapter 5.2.5.4](#).

5.2.4.3 Key loading

During the personalization phase, both the symmetric AES-128 key for the online brand protection scheme and the asymmetric ECC key for the offline brand protection procedure can be updated to customer-specific values. These data elements must be encoded in dedicated DGIs (Data Group Identifiers) and transferred to the OPTIGA™ Authenticate NBT (refer to [Chapter 5.4.2](#)).

5.2.4.4 Certificate loading

The NFC Type 4 Tag application comes with a certificate loaded already (by default, within the NDEF message).

Note: The applet makes no sanity or cryptographic checks on the loaded certificate. As a consequence, the verifier's responsibility is to parse and validate the certificate off-chip.

5.2.5 NFC tag

An NFC tag in the context of this product, is an NFC-enabled tag or IoT device that implements the NFC Forum Type 4 Tag Technical Specification [\[7\]](#) for hosting NDEF messages. It can be accessed by a reader device that implements the operational part of the Type 4 Tag Technical Specification. The ISO/IEC 14443 Type A transmission protocol is implemented by Type 4 Tags in particular. The NFC Data Exchange Format (NDEF) allows data to be exchanged between an NFC reader and an NFC tag. The data format consists of NDEF messages and records.

An NDEF message is a basic NDEF record transport mechanism, with each message containing one or more NDEF records. An NDEF record contains application data described by a type, a length, and an optional FileID. However, an empty NDEF message contains only one NDEF record.

The data structure of an NDEF message stored on an NFC Forum Type 4 Tag is based on ISO/IEC 7816-4 and employs a tree structure. [Figure 19](#) illustrates the pictorial representation of the Type 4 Tag application file with a defined ADF, a defined Capability Container file (EF.CC), and a defined NDEF file.

The EF.CC file (see [Chapter 5.2.5.1](#)) is a read-only binary file which contains all information needed to identify, to read and to write an NDEF file. The relevant data is embedded in a file control TLV structure. This NDEF-File_Ctrl_TLV contains the FileID of the NDEF file (here: E104_H), the file size of the NDEF file and access conditions (read/write).

Note: The "read-only" condition of the EF.CC file only applies to Tag readers and the UPDATE BINARY command. Proprietary commands to lock the file are implementation-specific.

5 Solution details

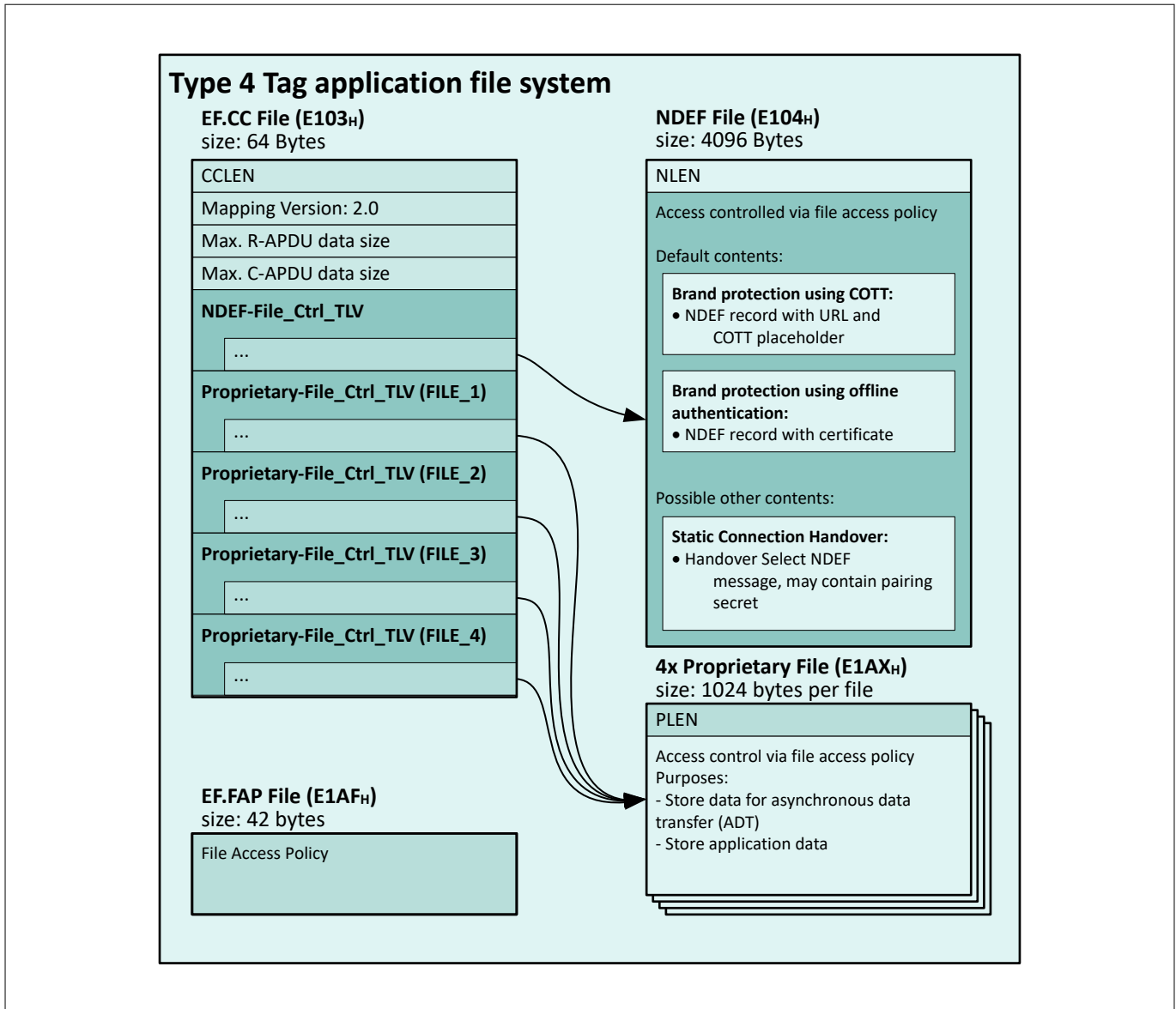


Figure 19 Type 4 Tag file structure

5.2.5.1 Capability Container (EF.CC) file

The EF.CC file with the FileID E103_H is created with a file size of 64 bytes. The first 47 bytes of the EF.CC file contain all information needed to read and write the NDEF message in addition to the proprietary files existing within the Type 4 Tag application on the OPTIGA™ Authenticate NBT. The remaining 17 bytes are RFU with the value 00_H. Default values are created as listed in [Table 16](#).

The EF.CC file is read-only by default; however, additional FAP conditions will be applicable if defined in the EF.FAP file, and upon achieving the conditions, the EF.CC file can be updated as well. The Type 4 Tag application will then allow to change the access conditions within the Proprietary-File_Ctrl_TLVs. The applet will not perform any consistency checks. Updates to the CC fields T4T_VNo, MLe, MLc, NDEF-File_Ctrl_TLV are not permitted at all.

5 Solution details

Table 16 EF.CC file content

CC field	Offset	Size (bytes)	Data	Content
CCLEN	0000 _H	2	002F _H	CCLEN indicates the length of valid data within the CC file and contains file-related information
T4T_VNo	0002 _H	1	20 _H	Mapping Version 2.0
MLe	0003 _H	2	0100 _H	Maximum R-APDU data size
MLc	0005 _H	2	00FF _H	Maximum C-APDU data size
NDEF-File_Ctrl_TLV	0007 _H	8	04 _H 06 _H E10410000000 _H	NDEF file (refer to Table 17)
Proprietary-File_Ctrl_TLV	000F _H	32	05 _H 06 _H E1A104000000 _H 05 _H 06 _H E1A204000000 _H 05 _H 06 _H E1A304000000 _H 05 _H 06 _H E1A404000000 _H	Pre-initialized to contain 4 TLVs for the 4 proprietary files (refer to Table 18)
RFU	002F _H	17	000000000000000000000000 _H	0's

By default, the NDEF file and Proprietary files will be read and write accessible, additional FAP conditions will apply if defined in the EF.FAP file.

When the FAP for the NDEF file is updated in the EF.FAP, the NFC read and write access setting will be updated in the NDEF-File_CTRL_TLV field of the EF.CC automatically. The NFC read and write settings of the NDEF file will be updated in the EF.CC file as listed in [Table 17](#).

Table 17 NDEF-File_Ctrl_TLV

Tag	Length	Size (bytes)	Description/Value	Presence
04 _H	06 _H		NDEF-File_Ctrl_TLV	
		02 _H	NDEF FileID Value = E104 _H	Mandatory
		02 _H	NDEF file size Value = 1000 _H	Mandatory
		01 _H	NDEF file READ access condition: According to [7] , based on FAP for NFC access (refer to Table 19)	Mandatory
		01 _H	NDEF file WRITE access condition: According to [7] , based on FAP for NFC access (refer to Table 20)	Mandatory

When the FAP for Proprietary files is updated in the EF.FAP, the NFC read and write access setting will not be updated in the Proprietary-File_CTRL_TLV field of the EF.CC file by the applet. An explicit update is required to reflect the access conditions listed in [Table 19](#) and [Table 20](#) in the EF.CC file for Proprietary files, as Proprietary files must be accessible according to the FAP regardless of whether there are any corresponding Proprietary-File_Ctrl_TLV structures in the EF.CC file.

The NFC read and write policy of the Proprietary files will be updated in the EF.CC file as listed in [Table 18](#).

5 Solution details

Table 18 **Proprietary-File_Ctrl_TLV**

Tag	Length	Size (bytes)	Description/Value	Presence
05 _H	06 _H		Proprietary-File_Ctrl_TLV	
		02 _H	Proprietary FileID Value = E1A1 _H E1A2 _H E1A3 _H E1A4 _H	Mandatory
		02 _H	Proprietary file size Value = 0400 _H	Mandatory
		01 _H	Proprietary file READ access condition: According to [7], based on FAP for NFC access (refer to Table 19)	Mandatory
		01 _H	Proprietary file WRITE access condition: According to [7], based on FAP for NFC access (refer to Table 20)	Mandatory

Table 19 lists the READ access condition values for the NDEF file and the Proprietary files.

Table 19 **File READ access condition**

Value	Description
00 _H	READ access granted without any security
FF _H	No READ access granted
80 _H	Limited READ Access

Table 20 lists the WRITE access condition values for the NDEF file and the Proprietary files.

Table 20 **File WRITE access condition**

Value	Description
00 _H	WRITE access granted without any security
FF _H	No WRITE access granted
80 _H	Limited WRITE access

5.2.5.2 NDEF file

The OPTIGA™ Authenticate NBT comes with a 4096 bytes NDEF file with FileID E104_H.

The applet will not perform any checks based on NLEN fields. For more information on NLEN, refer to [7].

5.2.5.3 Proprietary files

The OPTIGA™ Authenticate NBT comes with four proprietary files of 1024 bytes each. These files are referenced with the FileIDs E1A1_H, E1A2_H, E1A3_H, and E1A4_H. The contents of these files are transparent to the applet.

No checks are performed on the file content based on PLEN fields. For more information on PLEN, refer to [7].

5.2.5.4 File access policy file

The EF.FAP file is a binary file, which contains the settings to manage the access to all files within the Type 4 Tag application on the OPTIGA™ Authenticate NBT. The content of the EF.FAP file can be read with the READ BINARY command similar to any other binary file. Table 21 provides the data structure within the EF.FAP used to manage the access to a single application file. The EF.FAP contains entries for every application file.

5 Solution details

Table 21 Access policy

Offset	Size	Field
0000 _H	02 _H	FileID
0002 _H	01 _H	Configuration byte for I2C read
0003 _H	01 _H	Configuration byte for I2C write
0004 _H	01 _H	Configuration byte for NFC read
0005 _H	01 _H	Configuration byte for NFC write

The Configuration byte defines the access condition. Additionally it contains a reference to the password by a Password ID. If a password protection is configured, then the password needs to be verified during file selection.

Table 22 Configuration byte

b[8]	b[7]	b[6]	b[5:1]	Description
0 _B	0 _B	RFU	NA	Operation NEVER allowed
0 _B	1 _B	RFU	NA	Operation ALWAYS allowed
1 _B	0 _B	RFU	Password ID	Operation password protected

Note: For NEVER and ALWAYS condition, the applet will completely ignore the b[6:1] bits. The Type 4 Tag applet will ignore the RFU bit.

The content of the EF.FAP file defining the file access policy for all application files is shown in [Table 23](#).

Table 23 EF.FAP content

FileID	I2C read	I2C write	NFC read	NFC write	Description
E103 _H	40 _H	00 _H	40 _H	00 _H	EF.CC
E104 _H	40 _H	40 _H	40 _H	40 _H	NDEF file
E1A1 _H	40 _H	40 _H	40 _H	40 _H	Proprietary File 1
E1A2 _H	40 _H	40 _H	40 _H	40 _H	Proprietary File 2
E1A3 _H	40 _H	40 _H	40 _H	40 _H	Proprietary File 3
E1A4 _H	40 _H	40 _H	40 _H	40 _H	Proprietary File 4
E1AF _H	40 _H	40 _H	40 _H	40 _H	EF.FAP

Note: Write to EF.CC file is set to "NEVER by default".

The update of the EF.FAP data is done with the UPDATE BINARY command. This command will be processed as described in [Chapter 5.4.3](#).

In order to enable password protection for the EF.FAP file the personalizer must create an appropriate password. This password is also known as the Master password. When this Master password is created, the write access policy of the EF.FAP file itself can be updated. Otherwise, the creation of a Master password using the CREATE PASSWORD command at a later point in time is not possible.

Additionally, the personalizer must update the EF.FAP file after deleting a password as the Type 4 Tag applet will not process the EF.FAP if the password is deleted.

Note: It is the responsibility of the personalizer to encode the FAP correctly and to validate the access policy in the EF.FAP file during the personalization.

5 Solution details

Note: *The Master password is the password used to protect the update operation of the EF.FAP file respective of I2C and NFC interface.*

5.2.5.5 Password management

Password management is a mechanism that allows to create, verify, change, unblock, and delete passwords that are used to protect file operations.

5.2.5.5.1 Password verification

The password verification is triggered by adding the configured password value as parameter to the SELECT file command. A Password Response data is configured for each password during password creation. The response to the SELECT file command will contain the configured Password Response data to indicate a successful password verification.

In case the password verification fails, the SELECT file response data contains random data.

Note: *Refer to [Table 33](#) for password response data in case of successful password verification.*

5.2.5.5.2 UNBLOCK PASSWORD

The Type 4 Tag applet supports to unblock passwords by the CHANGE/UNBLOCK PASSWORD command sent with P2=00_H (see [CHANGE/UNBLOCK PASSWORD](#)). The command will not be executed if the password is already in the BLOCKED state.

If the EF.FAP file update operation is password protected, the Master password is required to unblock. If the Master password is blocked, all password management commands are blocked from execution.

5.2.5.5.3 CHANGE PASSWORD

The Type 4 Tag applet supports to change passwords by the CHANGE/UNBLOCK PASSWORD command sent with P2=01_H (see [CHANGE/UNBLOCK PASSWORD](#)). The command will not be executed if the password is already in the BLOCKED state.

If the EF.FAP file update operation is password protected, the Master password is required to change the password.

5.2.5.5.4 CREATE PASSWORD

The Type 4 Tag applet enables the creation of new passwords.

If the EF.FAP file update operation is password-protected, the Master password is required to create a password.

5.2.5.5.5 DELETE PASSWORD

The Type 4 Tag applet supports to delete existing passwords.

If the EF.FAP file update operation is password-protected, the Master password is required to delete a password.

5.2.6 Use cases operation

This section describes the operation of four primary product use cases in detail.

5.2.6.1 Asynchronous data transfer

The OPTIGA™ Authenticate NBT implements data exchange in asynchronous data transfer mode via "mailboxes". These mailbox files are part of the NFC Type 4 Tag application and can be accessed through the I2C and NFC interfaces. Depending on the needs of the application, the NFC reader or host system serves

5 Solution details

as the initiator. They can write data to or read data from the NDEF message or one (or more) of the proprietary files.

5.2.6.2 Synchronous pass-through communication

The OPTIGA™ Authenticate NBT supports synchronous pass-through (PT) communication, where the device bridges data received from the NFC interface (Initiator) to the I2C interface connected to the host system (Responder). The device notifies the host system about the availability of data via its IRQ after receiving the NFC command data. The host system (as I2C controller) actively obtains the Initiators command, executes the operation, prepares a response, and sends the response back to the device. The device returns the response data to the Initiator without evaluating the content.

Figure 20 illustrates the NFC-to-I2C synchronous pass-through communication (PT) mode.

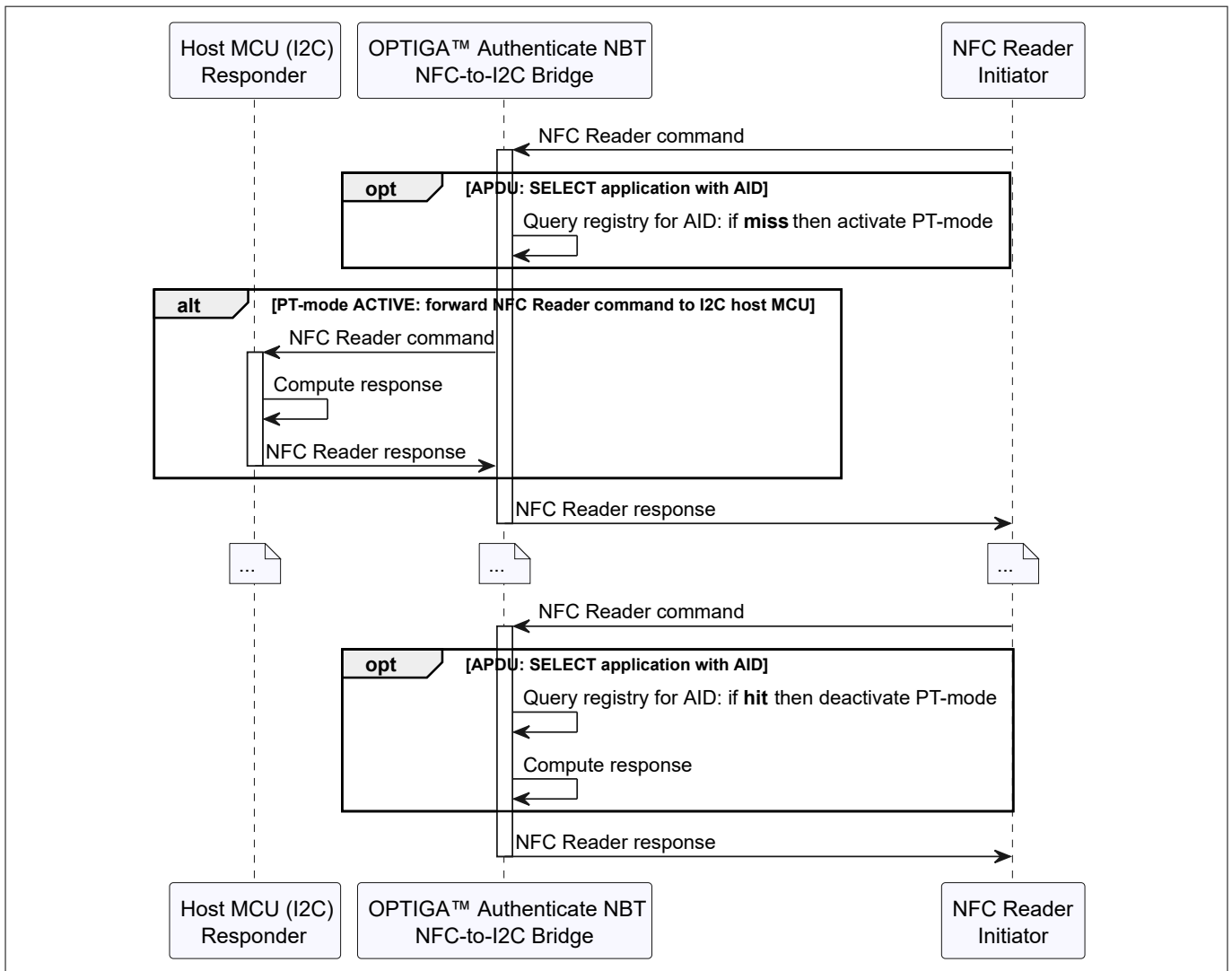


Figure 20 NFC-to-I2C pass-through (PT) communication mode

The PT communication mode is enabled by configuring the IRQ function of the OPTIGA™ Authenticate NBT to PT-IRQ. The IRQ then signals the availability of data on the I2C interface. Additionally, the IRQ is used in PT communication mode for PT-IRQ signaling and the data ready indication as I2C-IRQ.

For this reason, the I2C controller (host) must maintain a record to differentiate between:

- I2C-IRQ, if an I2C message (waiting for the device data ready signal) is previously sent by the host
- PT-IRQ, otherwise

5 Solution details

Once the PT communication mode is enabled, a **SELECT** command with an unregistered Application Identifier (AID) from the NFC interface activates the PT communication mode on the OPTIGA™ Authenticate NBT.⁴⁾ Henceforth, all commands will be transmitted to the host MCU via the I2C interface.

The host MCU must be ready to process the forwarded data while the PT communication mode is ACTIVE.

The IRQ pin is used to signal when PT data is ready. The I2C host needs to employ the following two commands to retrieve data from and transmit response data to the NFC reader, respectively:

- **PASS-THROUGH FETCH DATA**
- **PASS-THROUGH PUT RESPONSE**

Figure 21 depicts the NFC-to-I2C pass-through standard case communication flow.

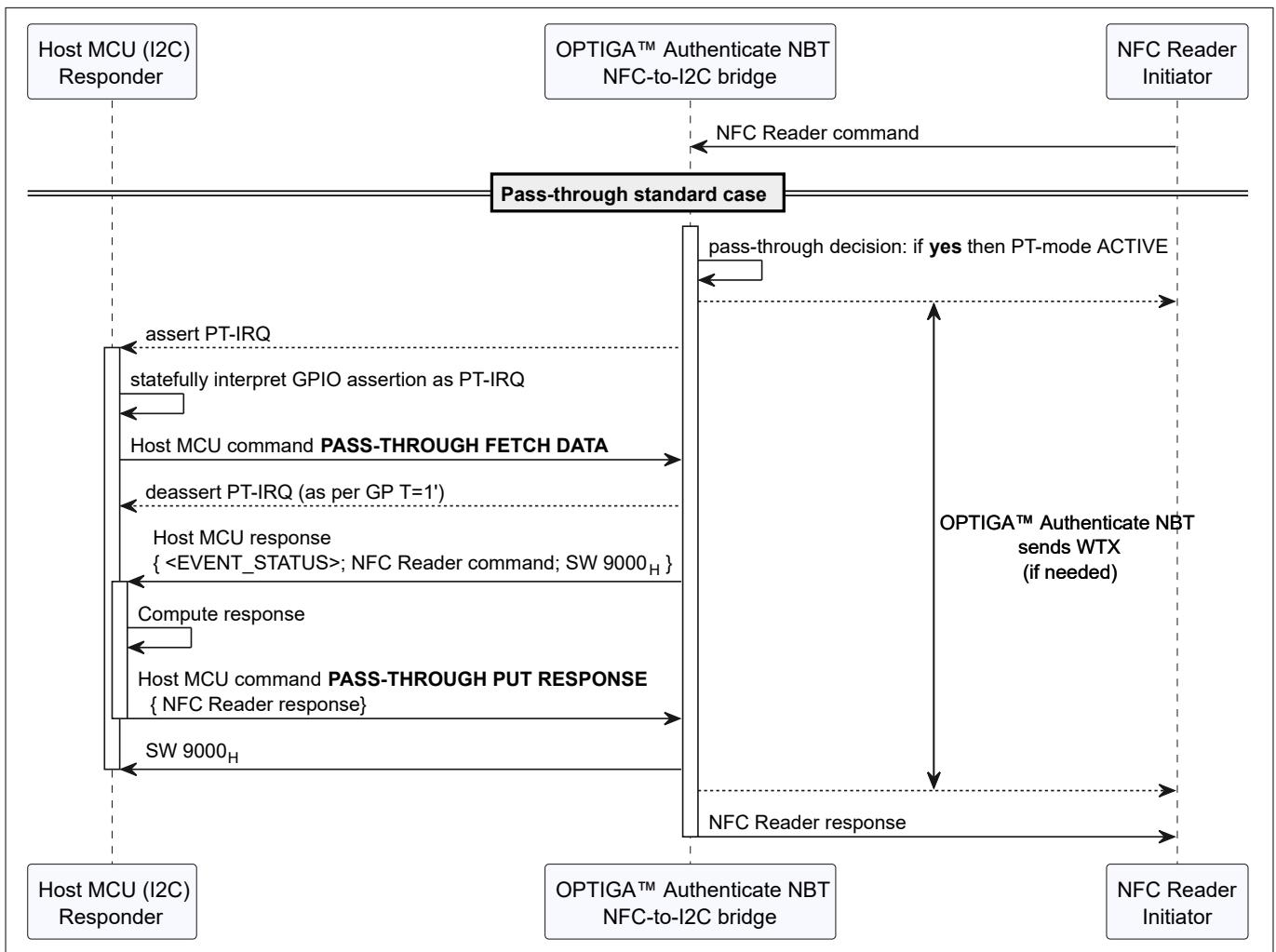


Figure 21 NFC-to-I2C pass-through standard case communication flow

The active PT communication mode session can be terminated by either selecting a registered application on the OPTIGA™ Authenticate NBT (Type 4 Tag or CONFIGURATOR) or by removing the device from the NFC reader field.

5.2.6.3 Brand protection with offline authentication

End customers who want to validate the authenticity of a product can tap the OPTIGA™ Authenticate NBT-equipped NFC tag attached to the product with any off-the-shelf NFC enabled mobile phone executing the brand's product authentication application. The mobile application retrieves the public-key certificate from the NDEF message in the device and validates it by utilizing the application's Root CA. Furthermore, the brand protection application may visually notify the end user of the result of the authentication process.

⁴ Logical channels are not supported.

5 Solution details

The application performs the following tasks:

- Reading the NDEF file that contains the public-key certificate
- Validating the public-key certificate with a root public key or root CA certificate from the mobile application
- Performing challenge-response authentication using the private signing key (BSK) of the tag

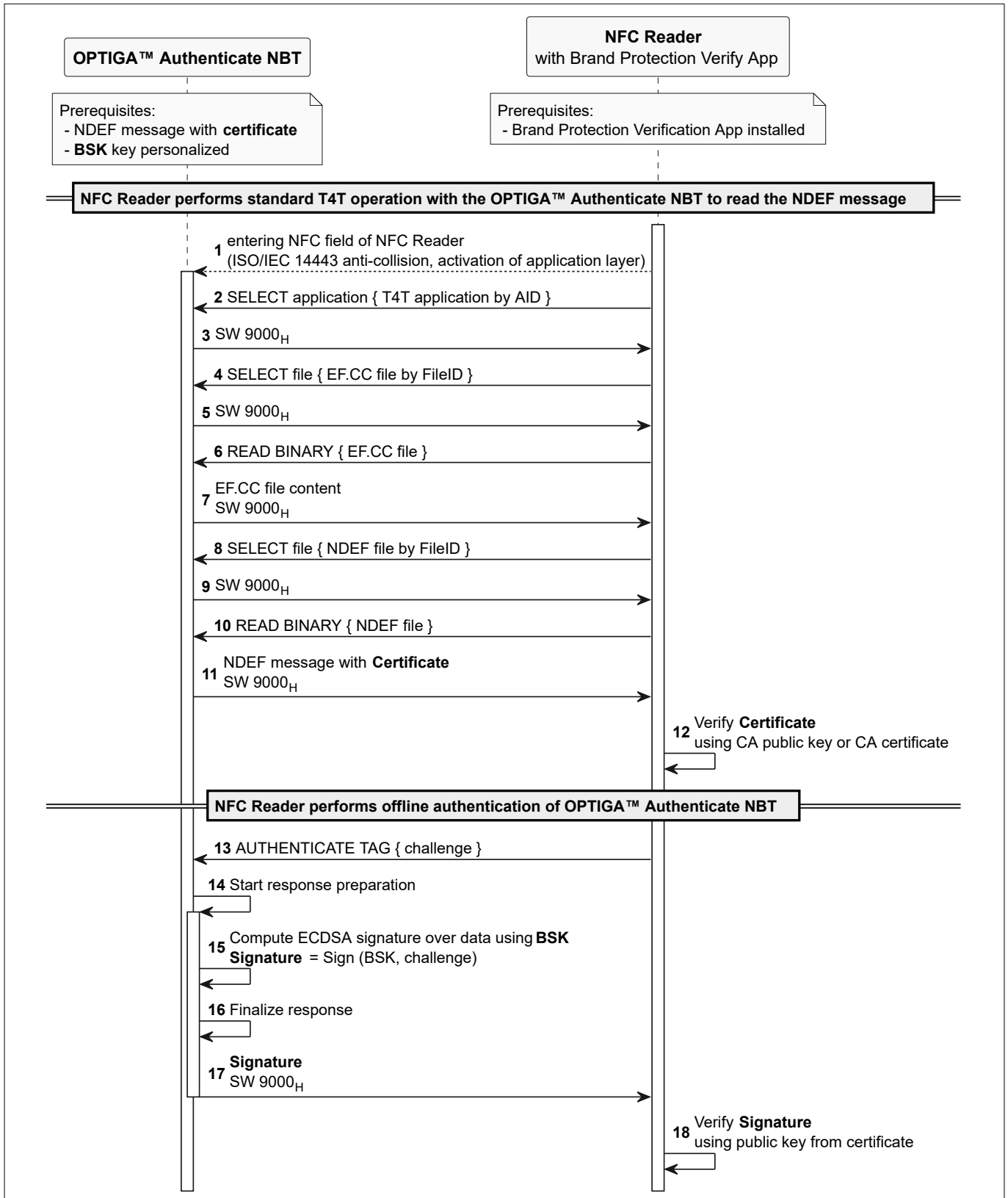


Figure 22 Brand protection with offline authentication

5 Solution details

5.2.6.4 Brand protection with online authentication using COTT

Another option for verifying the authenticity of a product carrying an OPTIGA™ Authenticate NBT is brand verification with online authentication using a Cryptographic One-Time Token (COTT). This method involves verifying the authenticity of a product by connecting to the brand's cloud service. This service is accessible through the web browser of an NFC-enabled mobile phone.

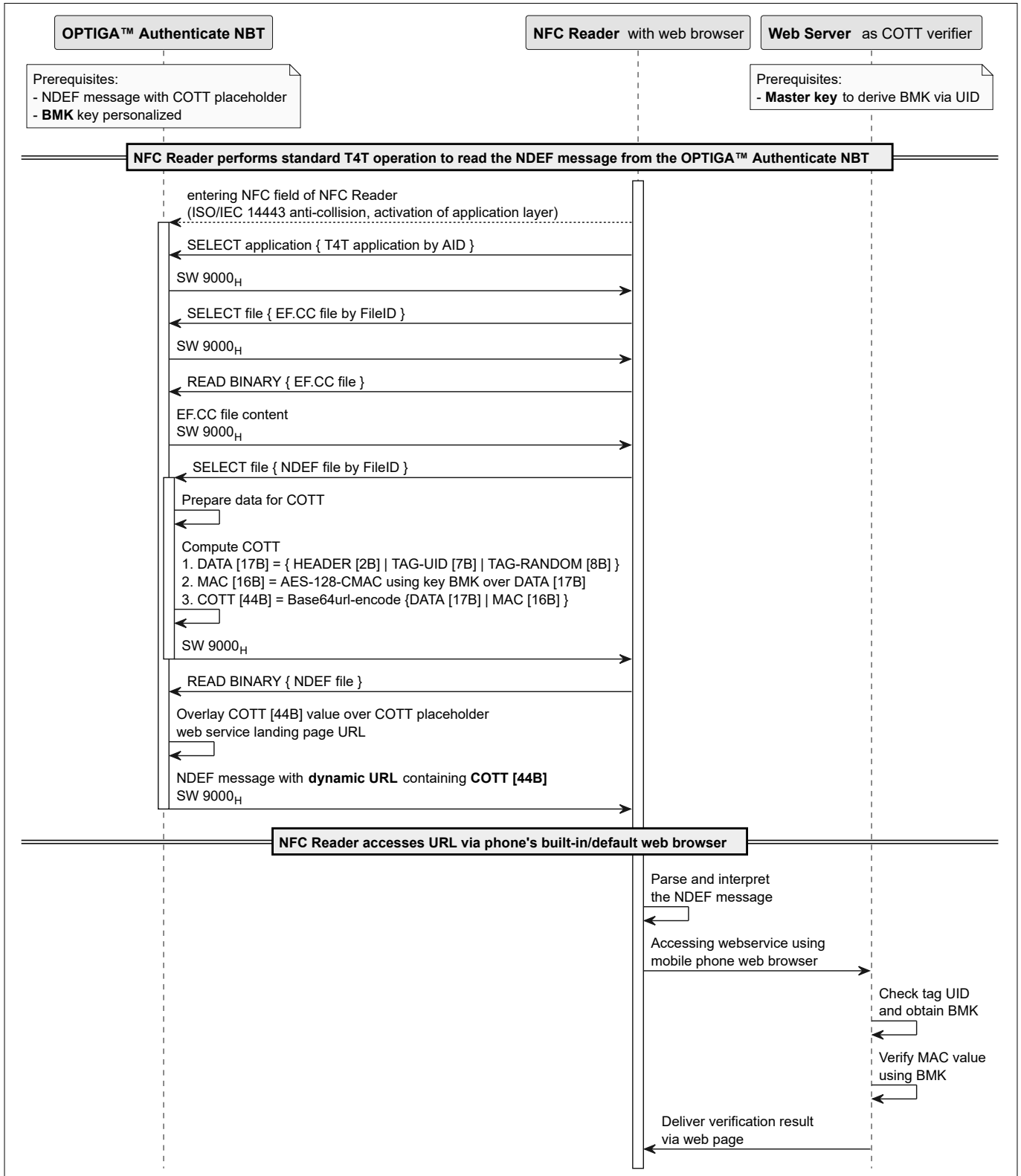


Figure 23 Brand protection with online authentication using COTT

5 Solution details

Customers who want to validate the authenticity of a product can read the NFC tag/sticker on the product using any off-the-shelf NFC-enabled mobile device. When tapping the tag/sticker with an NFC-enabled mobile phone detects the NFC Type 4 Tag application and starts reading the contents.

Internally, the applet computes a 16-Byte MAC using the BMK from the OPTIGA™ Authenticate NBT secure key store using a two-byte header, the TAG-UID and a TAG-RANDOM as input data. Then the applet generates a dynamic URL by appending the base64url-encoded COTT value, and returns it as a response.

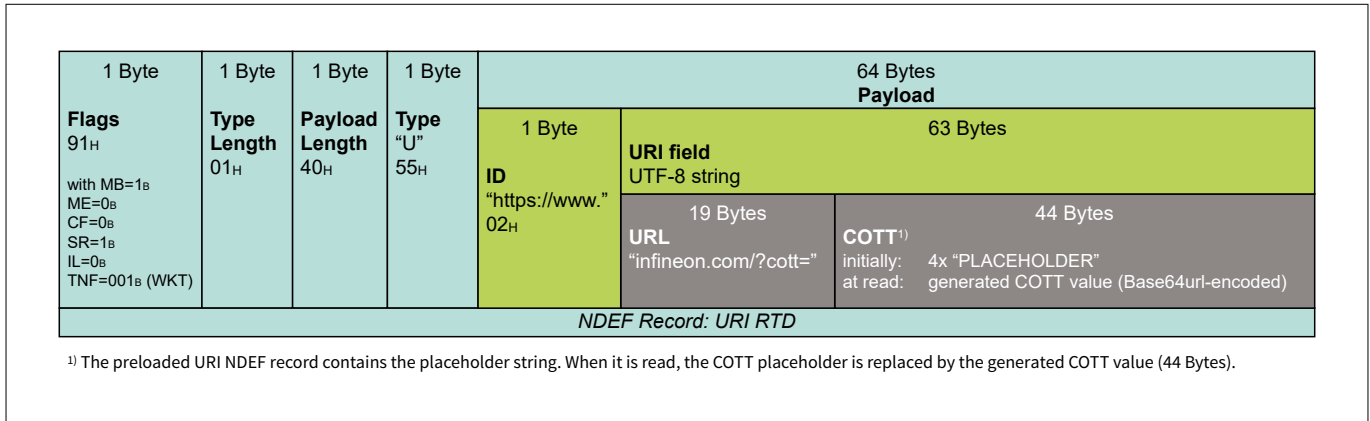


Figure 24 NFC well-known record type

The mobile application detects the URL in the NDEF message and opens the link in one of the available browsers on the mobile phone. This URL is pointing to landing page of a authentication web service and contains the generated COTT value. Based on the COTT value the verification can be executed. The result is returned to the phone and displayed on a web page.

5.3 Product delivery condition and application configuration

The delivery condition of the OPTIGA™ Authenticate NBT is explained in the subsequent section.

5.3.1 Default product configuration

Table 24 summarizes the product configuration at delivery.

Table 24 Product configuration at delivery

Tag	Default value	Description
C020 _H	4E425420323030300000000000000000 _H	Product short name: "NBT2000"
C021 _H	5AA5 _H	Product life cycle state: PERSONALIZATION
C030 _H	01 _H	IRQ function: Disabled
C031 _H	02 _H	IRQ assert level: High level active
C032 _H	01 _H	IRQ output type: Push-pull
C033 _H	01 _H	IRQ pull type: No pull
C034 _H	01 _H	NFC IRQ event type: RF field on
C040 _H	01F4 _H	I2C idle timeout: 500 ms
C041 _H	02 _H	I2C drive strength: Strong
C042 _H	02 _H	I2C speed: 1000 kHz
C043 _H	18 _H	I2C target address: 18 _H

(table continues...)

5 Solution details

Table 24 (continued) Product configuration at delivery

Tag	Default value	Description
C050 _H	0C787770024E4254323030300000 _H	ATS according to ISO/IEC 14443 Type A for the OPTIGA™ Authenticate NBT containing the short version of the product's sales code ("NBT2000")
C051 _H	01 _H	NFC WTX mode: Multiplier equals to 1
C052 _H	4001... _H	NFC RF hardware configuration (312 bytes)
C053 _H	00 _H	NFC UID type for anti-collision: Unique, device specific 7-byte NFC UID
C060 _H	11 _H	Communication interface enable: NFC enabled I2C enabled
C061 _H	01 _H	No current limitation
C062 _H	06 _H	Current limitation configuration

Refer to [Table 15](#) for more information and possible values.

5.3.2 Default NFC tag application configuration

[Table 25](#) summarizes the default configuration of the NFC tag application on the OPTIGA™ Authenticate NBT.

Table 25 Default configuration NFC tag application

Element	Default content
EF.CC file	Refer to Table 16
NDEF file	<p>NLEN: 0326_H</p> <p>An NDEF message with two NDEF records:</p> <ul style="list-style-type: none"> • NDEF Record 1: NFC Forum well known type "U" (URL) <ul style="list-style-type: none"> - Payload length: 64 bytes - Payload protocol field: "https://www." - Payload URI field¹⁾: infineon.com/#cott=AAGhoqOkpaanAacEB5sP-YFN53YCMxxZ8xewMzicEVg4 • NDEF Record 2: NFC Forum external type "infineon.com:nfc-bridge-tag.x509" <ul style="list-style-type: none"> - Payload length: 700 bytes - Payload: Chip-individual X.509 certificate for the NBT device, see Figure 26
Proprietary file #1	<p>PLEN: 0000_H</p> <p>Content: empty</p>
Proprietary file #2	<p>PLEN: 0000_H</p> <p>Content: empty</p>
Proprietary file #3	<p>PLEN: 0000_H</p> <p>Content: empty</p>
Proprietary file #4	<p>PLEN: 0000_H</p> <p>Content: empty</p>

(table continues...)

5 Solution details

Table 25 (continued) Default configuration NFC tag application

Element	Default content
File access policy	Content (refer to Chapter 5.2.5.4 for interpretation): E10340004000 _H E10440404040 _H E1A140404040 _H E1A240404040 _H E1A340404040 _H E1A440404040 _H E1AF40404040 _H

1) The payload URI field contains a randomly generated "COTT" value. The value displayed here is an example.

5.3.3 Default keys

[Table 26](#) summarizes the Infineon-defined keys at delivery.

Table 26 Default keys

Key	Default value
BMK	Infineon-defined secret key for demonstration purposes, must be replaced by OEM
BSK	Chip-individual private key, generated by Infineon root CA

5.4 Command reference

The commands to personalize and to operate the OPTIGA™ Authenticate NBT are listed in [Table 27](#). The subsequent sections contain more information about these commands and possible responses.

Table 27 Command overview

Command	CLA	INS	Description
SELECT	00 _H	A4 _H	Select applications/files
PERSONALIZE DATA	00 _H	E2 _H	Personalize data elements ¹⁾
READ BINARY	00 _H	B0 _H	Retrieve data from the selected file
AUTHENTICATE TAG	00 _H	88 _H	Generate a signature on the challenge sent by the host
UPDATE BINARY	00 _H	D6 _H	Update data of the selected file
CHANGE/UNBLOCK PASSWORD	00 _H	24 _H	Change or unblock a password
CREATE PASSWORD	00 _H	E1 _H	Create a password
DELETE PASSWORD	00 _H	E4 _H	Delete a password
GET DATA	00 _H	30 _H	Retrieve application-specific information
BACKEND TEST	00 _H	BE _H	Perform test operations
SET CONFIGURATION	20 _H	20 _H	Update product configuration ²⁾
GET CONFIGURATION	20 _H	30 _H	Retrieve product configuration

(table continues...)

5 Solution details

Table 27 (continued) Command overview

Command	CLA	INS	Description
PASS-THROUGH FETCH DATA	38 _H	CA _H	Retrieve the NFC commands over the I2C interface
PASS-THROUGH PUT RESPONSE	38 _H	DA _H	Send the response via the I2C interface to be forwarded over the NFC interface

- 1) The execution of this commands is limited to the PERSONALIZATION state.
- 2) Changes of the chip configuration are only possible in PERSONALIZATION state.

5.4.1 SELECT

This command is used to select one of the following:

- Application instances based on their AIDs (Application IDentifiers), or
- User elementary files based on their FileIDs (File IDentifiers)

Furthermore, password verifications for the application files can be triggered by adding corresponding information to the command data field.

5.4.1.1 Command message

The SELECT application command APDU is encoded according to the tables below:

Table 28 SELECT application command APDU

CLA	INS	P1	P2	Lc	Data	Le
00 _H	A4 _H	04 _H	00 _H	Refer to Table 29		00 _H

The command data contains the AID of the applet to select an application:

Table 29 SELECT application data fields

Lc	Data	Application
07 _H	D2 76 00 00 85 01 01 _H	Type 4 Tag application
0D _H	D2 76 00 00 04 15 02 00 00 0B 00 01 01 _H	CONFIGURATOR application
NN _H	Any other AID (length range: 5..16 bytes)	Pass-through (virtual application)

The SELECT file command APDU is encoded according to the tables below:

Table 30 SELECT file command APDU

CLA	INS	P1	P2	Lc	Data	Le
00 _H	A4 _H	00 _H	0C _H	02 _H	FileID only	00 _H / Absent
00 _H	A4 _H	00 _H	0C _H	08 _H	FileID followed by password value for either READ or WRITE operations	00 _H / Absent
00 _H	A4 _H	00 _H	0C _H	0E _H	FileID followed by password value for both READ and WRITE operations	00 _H / Absent

The command data contains the FileID to select the file. Optionally, the command data may additionally contain the password value(s) embedded into TLV structures to perform password-protected READ or/and WRITE operations on the selected file. The TLV data fields are described in [Table 31](#).

5 Solution details

Table 31 **SELECT file data fields**

Tag	Length	Value
-	-	FileID
52 _H	04 _H	YYYYYYYY 32 bit Password for READ
54 _H	04 _H	ZZZZZZZZ 32 bit Password for WRITE

5.4.1.2 **Response message**

For the SELECT application operation, the response data field does not contain any data. The following status words may be responded after SELECT application command execution.

Table 32 **SELECT application response status words**

SW1	SW2	Description
67 _H	00 _H	Incorrect Lc value
6A _H	80 _H	Incorrect parameters in the command data field
6A _H	82 _H	File or application not found
90 _H	00 _H	Successful command execution

In case the SELECT file command is sent without any password value, the response data field does not contain any data.

In case the SELECT file command is sent including password verification data (for a READ and/or a WRITE operation), and the password verification is successful, then the response data field contains the configured Password Response value(s) for these operation(s). These Password Response value(s) are embedded in a File Control Information structure as shown in [Table 33](#).

Table 33 **File control parameter - SELECT file response data**

Tag	Length	Value	Presence
6F _H	04 _H or 08 _H	File Control Information	Conditional
	02 _H	52 _H Configured Password Response for a READ operation	Conditional
	02 _H	54 _H Configured Password Response for a WRITE operation	Conditional

In case the password verification fails, the applet responds with the random number in the corresponding File Control Information field.

In case the password to be verified is blocked, the applet returns FFFF_H.

The following status words may be responded after SELECT file command execution.

Table 34 **SELECT file response status word**

SW1	SW2	Description
67 _H	00 _H	<ul style="list-style-type: none"> Incorrect Lc value If Le is other than 00_H
6A _H	82 _H	File or application not found

(table continues...)

5 Solution details

Table 34 (continued) SELECT file response status word

SW1	SW2	Description
6A _H	80 _H	Wrong TLV data format for the SELECT file command including password data
90 _H	00 _H	Successful command execution

5.4.2 PERSONALIZE DATA

The PERSONALIZE DATA command is used to personalize the data elements of the applet.

5.4.2.1 Command message

The PERSONALIZE DATA command is encoded according to the tables below:

Table 35 PERSONALIZE DATA: Command APDU

CLA	INS	P1	P2	Lc	Data	Le
00 _H	E2 _H	00 _H	00 _H	XX _H	Refer to Table 36	-

The parameters P1 and P2 are always fixed as 0000_H.

The data field of the command message must be encoded as <Data Group ID> <length> <data>. The supported DGI is listed in [Table 36](#).

Table 36 Supported DGIs in PERSONALIZE DATA command

DGI	Length	Data
A001 _H	10 _H	AES-128-CMAC key for online brand protection (BMK)
A002 _H	20 _H	EC private key for offline brand protection (BSK)
A003 _H	09 _H	Password data set <Password ID (1 byte)> <Password data (4 bytes)> <Password response (2 bytes)> <Password limit (2 bytes)>
E104 _H	Variable	NDEF file content <Offset (2 bytes)> <NDEF file content>
E1A1 _H E1A2 _H E1A3 _H E1A4 _H	Variable	Proprietary file content <Offset (2 bytes)> <Proprietary file content>
E1AF _H	2A _H	FAP configuration data Set of “<FileID (2 bytes)> <Config byte for I2C read> <Config byte for I2C write> <Config byte for NFC read> <Config byte for NFC write>”
BF63 _H	00 _H	Special data object to indicate the end of personalization, also referred as FINALIZE PERSONALIZATION Data is absent

When updating the content of the NDEF file or the proprietary files, multiple PERSONALIZE DATA commands will be used. The personalization of an NDEF file must be limited to 4096 bytes. Similarly, for the proprietary

5 Solution details

files, the personalization must be limited to 1024 bytes. It is the responsibility of the personalizer to use appropriate offset values when updating the file content.

The FAP configuration data will be written in a single PERSONALIZE DATA. The applet will reject the command if the length of update FAP is other than 42 bytes.

The password data sets have to be configured with multiple PERSONALIZE DATA commands.

In addition to the above mentioned command handling, the Type 4 Tag application will evaluate the transferred data of the PERSONALIZE DATA command as follows:

- The contents of the NDEF file, the proprietary files, the symmetric AES-128-CMAC key, the asymmetric ECC key, the password data, and the FAP configuration data are not evaluated
- The length of the received DGI's is checked. For example: the length of a symmetric AES-128-CMAC key DGI should be 16 bytes. In case of a mismatch, the applet will not personalize the key
- Related to the password response data, 0000_H and FFFF_H are RFU values. Therefore, these cannot be used as password responses; the application will reject them

Constraints for password try limit and password ID is mentioned in [Chapter 5.4.6.1](#).

5.4.2.2 Response message

For the PERSONALIZE DATA operation, the response data field does not contain any data. The following status words may be responded after command execution.

Table 37 Status words

SW1	SW2	Description
67 _H	00 _H	Wrong Length: <ul style="list-style-type: none"> • If Lc is 00_H
69 _H	85 _H	Use of condition not satisfied: <ul style="list-style-type: none"> • If during personalization of password, password ID already exists • If trying to personalize more than 28 passwords • If PERSONALIZE DATA command is sent in OPERATIONAL state
6A _H	80 _H	Incorrect parameters in the command data field: <ul style="list-style-type: none"> • If FAP configuration data is other than 42 bytes • If length of the password data set is other than 9 bytes • AES-128-CMAC key length is other than 16 bytes • ECC key length is other than 32 bytes • NDEF/Proprietary EF personalization is out of file size • If Le is present • If additional data is present in command • If password response in password data set is 0000_H or FFFF_H
6A _H	86 _H	Incorrect P1-P2: <ul style="list-style-type: none"> • If P1-P2 is other than 00_H
6A _H	88 _H	Unknown or unsupported data group, data object
90 _H	00 _H	Successful command execution

5.4.3 UPDATE BINARY

The UPDATE BINARY command is used to update data of the currently selected file.

5 Solution details

5.4.3.1 Command message

The UPDATE BINARY command APDU is encoded according to the table below:

Table 38 UPDATE BINARY command APDU

CLA	INS	P1	P2	Lc	Data	Le
00 _H	D6 _H	Offset		XX _H	Data to be written	-

The parameters P1 and P2 represent the offset within the selected file where the data needs to be updated (start address). The data field can contain any data in hexadecimal string format based on the user's requirement.

In case the selected file is the EF.CC file, then the update of data from offset 02_H to 0E_H is not allowed.

If the current selected file is the EF.FAP file, then

- An offset other than 0000_H will be ignored
- The 6 bytes of data contain a FileID and its access policy as shown in [Table 21](#). If the applied FileID does not match any of the valid supported files then a status word indicating an error is returned

5.4.3.2 Response message

For the UPDATE BINARY operation, the response data field does not contain any data. The following status words may be responded after command execution.

Table 39 UPDATE BINARY response status words

SW1	SW2	Description
67 _H	00 _H	<ul style="list-style-type: none"> • If Lc is coded on extended length • If Lc is 00_H that is no command data is present • If Le is present • Length of update EF.FAP file is other than 6 bytes • If the offset mentioned in P1-P2 in UPDATE BINARY command is greater than the file size
69 _H	82 _H	Security condition not satisfied <ul style="list-style-type: none"> • When authentication with respective password is not successful • When file is locked that is access policy is never for write
69 _H	85 _H	EF.CC file is updated for 02 _H to 0E _H offset
69 _H	86 _H	Command not allowed (no current EF)
6A _H	80 _H	Wrong data, invalid FileID or format mismatch in FAP policy
6A _H	86 _H	Incorrect P1-P2 <ul style="list-style-type: none"> • If P1-P2 is greater than file size
90 _H	00 _H	Successful command execution

5.4.4 READ BINARY

The READ BINARY command is used to retrieve data from the currently selected file.

5 Solution details

5.4.4.1 Command message

The READ BINARY command APDU is encoded according to the table below:

Table 40 READ BINARY command APDU

CLA	INS	P1	P2	Lc	Data	Le
00 _H	B0 _H	Offset		-	-	XX _H

The parameters P1 and P2 represent the offset within the selected file from which the data is read.

5.4.4.2 Response message

The data field of the READ BINARY response message contains the data read from the selected file, starting at the requested offset. The following status words may be responded after command execution.

Table 41 Status words

SW1	SW2	Description
67 _H	00 _H	Wrong length <ul style="list-style-type: none"> The offset in P1-P2 is greater than the file size If Le is absent If Le is coded on extended length
69 _H	82 _H	Security conditions not satisfied <ul style="list-style-type: none"> When authentication with respective password is not fulfilled When selected file is locked (access policy is set to NEVER for the READ operation)
69 _H	86 _H	Command not allowed (file is not selected)
6C _H	XX _H	Wrong Le, XX _H is the exact number of available data bytes <ul style="list-style-type: none"> Offset + Le is greater than the file size
90 _H	00 _H	Successful command execution

5.4.5 AUTHENTICATE TAG

The AUTHENTICATE TAG command is used to generate a signature on the challenge sent by host, which can be used for offline brand protection use case.

5.4.5.1 Command message

The AUTHENTICATE TAG command APDU is encoded according to the table below:

Table 42 AUTHENTICATE TAG command APDU

CLA	INS	P1	P2	Lc	Data	Le
00 _H	88 _H	00 _H	00 _H	XX _H	Challenge	00 _H

The parameters P1 and P2 are always 0000_H.

The application will accept the challenge of 1-255 bytes. This will generate a signature using the personalized ECC private key (BSK) based on NIST P-256.

5 Solution details

5.4.5.2 Response message

The data field of the AUTHENTICATE TAG response message contains the ECDSA signature computed using SHA-256. The resulting ECDSA signature⁵⁾ is returned as an DER-encoded ASN.1 SEQUENCE of two ASN.1 INTEGERS (henceforth, the signature value starts with tag 30_H).

The following status words may be responded after command execution.

Table 43 Status words

SW1	SW2	Description
67 _H	00 _H	Wrong length <ul style="list-style-type: none"> If challenge length is 00_H If Lc is coded on extended length If Le is 00_H
69 _H	85 _H	Conditions of use not satisfied <ul style="list-style-type: none"> ECC private key not personalized
6A _H	86 _H	Incorrect parameters P1-P2 <ul style="list-style-type: none"> If P1-P2 is other than 00_H
90 _H	00 _H	Successful command execution

5.4.6 CREATE PASSWORD

The CREATE PASSWORD command is used to create a new password.

5.4.6.1 Command message

The CREATE PASSWORD command APDU is encoded according to the tables below:

Table 44 CREATE PASSWORD command APDU

CLA	INS	P1	P2	Lc	Data	Le
00 _H	E1 _H	00 _H	00 _H	09 _H 0D _H	New password data set	-

The parameters P1 and P2 are always fixed as 0000_H.

The command data field contains context-specific data based on command length (Lc). The command data field is summarized in [Table 45](#).

Table 45 CREATE PASSWORD command data field

Lc	Data Field
09 _H	<New Password ID (1 byte)> <New Password (4 bytes)> <Password Response (2 bytes)> <Password Try Limit (2 bytes)>
0D _H	<Master password (4 bytes)> <New Password ID (1 bytes)> <Password (4 bytes)> <Password Response (2 bytes)> <Password Try Limit (2 bytes)>

The settings of the file access policy for the EF.FAP must be considered when creating a new password. In case the EF.FAP file itself is password protected (Master password) then an authentication with this Master password must be performed in order to enable successful password creation.

⁵ An ECDSA signature contains two components, the numbers 'r' and 's' [26].

5 Solution details

The following command data field combinations are possible:

- If the EF.FAP file update policy is ALWAYS, then no authentication is needed to create a new password
 - Lc field will be 09_H
 - Data field contains {Password ID || New Password || Password Response || Password Try Limit}
- If the EF.FAP file update policy is PASSWORD protected, then the Master password must be present in the command data
 - Lc field will be 0D_H
 - Data field contains {Master password || New Password ID || New Password || Password Response || Password Try Limit}

The following constraints need to be considered for the Password Try Limit and the Password ID:

- Password ID is in the range of 01_H to 1F_H
- Maximum number of passwords can be 1C_H
- Password Try Limit is in the range of 0001_H to 007F_H
 - It is recommended to set the Password Try Limit in the range of 0003_H to 007F_H for password checks performed for read/write operations
- If Password Try Limit is set as FFFF_H, the applet will treat this as an infinite try limit. In this case, password will never be blocked

Note: The applet will ignore bits b[6] to b[8] from Password ID.

5.4.6.2 Response message

For the CREATE PASSWORD operation, the response data field does not contain any data. The following status words may be responded after command execution.

Table 46 Status words

SW1	SW2	Description
67 _H	00 _H	Wrong length <ul style="list-style-type: none"> • If Lc is other than 09_H and 0D_H bytes • If Le is present
69 _H	82 _H	Security status not satisfied <ul style="list-style-type: none"> • If EF.FAP Master password is applied for the FAP update and password is not verified successfully
69 _H	85 _H	Conditions of use not satisfied <ul style="list-style-type: none"> • Password ID already present • If trying to personalize more than 28 passwords
6A _H	80 _H	Incorrect Data <ul style="list-style-type: none"> • Password Response is 0000_H and FFFF_H • Password ID is 00_H • Password Try Limit value is 0000_H or 0080_H to FFFE_H
6A _H	86 _H	Incorrect parameters P1-P2 <ul style="list-style-type: none"> • If P1-P2 is other than 00_H
90 _H	00 _H	Successful command execution

5 Solution details

5.4.7 DELETE PASSWORD

The DELETE PASSWORD command is used to delete passwords.

5.4.7.1 Command message

The DELETE PASSWORD command APDU is encoded according to the tables below:

Table 47 DELETE PASSWORD command

CLA	INS	P1	P2	Lc	Data	Le
00 _H	E4 _H	00 _H	XX _H	00 _H 04 _H	Table 49	-

The parameter P1 is always fixed as 00_H.

The parameter P2 contains the reference ID of the password to be deleted as defined in [Table 48](#).

Table 48 Reference control parameter – P2

b[8]	b[7]	b[6]	b[5]	b[4]	b[3]	b[2]	b[1]	Meaning
0	0	0	-	-	-	-	-	RFU
-	-	-	x	x	x	x	x	Password ID to be deleted

Note: *The applet will ignore the RFU bits.*

The command data field contains context-specific data based on command length (Lc). The command data field is summarized in [Table 49](#).

Table 49 DELETE PASSWORD command data field

Lc	Data Field
00 _H	-
04 _H	Master password

The settings of the file access policy for the EF.FAP must be considered when deleting a password. In case the EF.FAP file itself is password protected (Master password) then an authentication with this Master password must be performed in order to enable successful password creation.

Following command data field combinations are possible:

- If the EF.FAP file update policy is ALWAYS, then no authentication is needed to delete the password
 - Lc field will be 00_H
 - Data field will be absent
- If the EF.FAP file update policy is PASSWORD protected, then the Master password must be present in the command data
 - Lc field will be 04_H
 - Data field contains the Master password

Note: *If the Master password is deleted, then operations protected with this Master password will not be executed.*

5 Solution details

5.4.7.2 Response message

For the DELETE PASSWORD operation, the response data field does not contain any data. The following status words may be responded after command execution.

Table 50 Status words

SW1	SW2	Description
67 _H	00 _H	Wrong length <ul style="list-style-type: none"> If Lc is other than 00_H or 04_H If Le is present
69 _H	82 _H	Security status not satisfied <ul style="list-style-type: none"> If access condition applied for the FAP update is NEVER If EF.FAP Master password is applied for the FAP update and password is not verified successfully
6A _H	86 _H	Incorrect P1-P2 <ul style="list-style-type: none"> If P1 is other than 00_H
6A _H	88 _H	Reference data not found <ul style="list-style-type: none"> Password ID not present
90 _H	00 _H	Successful command execution

5.4.8 CHANGE/UNBLOCK PASSWORD

The CHANGE/UNBLOCK PASSWORD command is used to change or to unblock passwords.

5.4.8.1 Command message

The CHANGE/UNBLOCK command APDU is encoded according to the tables below:

Table 51 CHANGE/UNBLOCK PASSWORD command APDU

CLA	INS	P1	P2	Lc	Data	Le
00 _H	24 _H	00 _H	XX _H	00 _H 04 _H 08 _H	Table 54	-

The parameter P1 is always fixed as 00_H.

The parameter P2 indicates whether to unblock or change the password. Additionally, it contains the reference ID of the password to be changed or blocked as defined in [Table 52](#).

Table 52 Reference control parameter – P2

b[8]	b[7]	b[6]	b[5]	b[4]	b[3]	b[2]	b[1]	Meaning
x	x	RFU	-	-	-	-	-	Refer to Table 53
-	-	-	x	x	x	x	x	Reference ID of password to be changed or unblock

Note: The applet will ignore the RFU bit.

5 Solution details

Table 53 Coding of CHANGE/UNBLOCK password options

P2.b[8]	P2.b[7]	Value
0 _B	0 _B	UNBLOCK password
0 _B	1 _B	CHANGE password

The settings of the file access policy for the EF.FAP must be considered when changing or unblocking a password. In case the EF.FAP file itself is password protected (Master password) then an authentication with this Master password must be performed in order to enable successful execution of the CHANGE/UNBLOCK PASSWORD command.

The data field of the command message contains context-specific data based on parameter P2. The command data field is summarized in [Table 54](#).

Table 54 CHANGE/UNBLOCK PASSWORD command data field

P2.b[8]	P2.b[7]	Data field
0	0	No data Master password
0	1	New password data Master password New password data

Following data field combinations are possible:

- If the EF.FAP file update policy is ALWAYS, then no authentication is needed to change or unblock the password
 - In the case of UNBLOCK password, the Lc field will be 00_H and the data field will be absent
 - In the case of CHANGE password, the Lc field will be 04_H and the data field will contain the four bytes of the new password
- If the EF.FAP file update policy is PASSWORD protected, then the Master password must be present in the command data
 - In the case of UNBLOCK password, the Lc field will be 04_H and the data field will contain the four bytes of Master password
 - In the case of CHANGE password, the Lc field will be 08_H and the data field will contain the four bytes of the Master password and the four bytes of the new password

The new password must be applied in the next file selection.

5.4.8.2 Response message

For the CHANGE/UNBLOCK PASSWORD operation, the response does not contain any data. The following status words may be responded after command execution.

Table 55 Status words

SW1	SW2	Description
67 _H	00 _H	Wrong length <ul style="list-style-type: none"> • If Lc is other than 00_H and 04_H in case of the UNBLOCK PASSWORD command • If Lc is other than 04_H and 08_H in case of the CHANGE PASSWORD command

(table continues...)

5 Solution details

Table 55 (continued) Status words

SW1	SW2	Description
69 _H	85 _H	Conditions of use not satisfied <ul style="list-style-type: none"> If the EF.FAP Master password is applied for the FAP update and the Master password is not personalized If the EF.FAP Master password is blocked If requested password is blocked in case of CHANGE PASSWORD command
6A _H	86 _H	Incorrect P1-P2 <ul style="list-style-type: none"> If P1 is other than 00_H If P2's b[8]-b[7] are other than 00_B and 01_B
6A _H	88 _H	Reference of data not found <ul style="list-style-type: none"> Password ID not valid
90 _H	00 _H	Successful command execution

5.4.9 GET DATA

The GET DATA command is used to retrieve applet-specific information.

5.4.9.1 Command message

The GET DATA command APDU is encoded according to the table below:

Table 56 GET DATA command APDU

CLA	INS	P1	P2	Lc	Data	Le
00 _H	30 _H	Refer to Table 57		-	-	00 _H

Table 57 Reference control parameter

P1-P2	Meaning
DF3A _H	Applet version

5.4.9.2 Response message

The GET DATA operation will respond the File Control Information after selecting the Type 4 Tag application.

Table 58 File Control Parameter – NFC Applet version

Tag	Length	Value
6F _H	07 _H	File Control Information
	04 _H	DF3A _H Applet Version (Major('01').Minor('01').BuildNumber('02'))

The following status words may be responded after command execution.

5 Solution details

Table 59 Status words

SW1	SW1	Description
67 _H	00 _H	Wrong length <ul style="list-style-type: none"> If Lc is present If Le not equal to 00_H
6A _H	86 _H	Wrong P1-P2 <ul style="list-style-type: none"> If P1-P2 is other than DF3A_H
90 _H	00 _H	Successful command execution

5.4.10 BACKEND TEST

The BACKEND TEST command performs test operations which can be, for example, used for incoming goods inspection. The command is restricted to the PERSONALIZATION state and can only be executed via the I2C interface.

5.4.10.1 Command message

The BACKEND TEST command APDU is encoded according to the table below:

Table 60 BACKEND TEST command APDU

CLA	INS	P1	P2	Lc	Data	Le
00 _H	BE _H	Refer to Table 61		-	-	-

The reference control parameter defines the usage of this command as follows:

Table 61 Command instruction parameters BACKEND TEST command APDU

P1	P2	Operation
00 _H	XX _H	Perform BACKEND TEST operations as specified by P2 as shown in Table 62
FF _H	00 _H	Disable BACKEND TEST command permanently

The following test operations can be performed.

Table 62 P2 command instruction parameter for BACKEND TEST command APDU

b[8]	b[7]	b[6]	b[5]	b[4]	b[3]	b[2]	b[1]	Description
							1 _B	Generate random number
							1 _B	Compute ECDSA signature
					1 _B			Extract public key from certificate
				1 _B				Verify ECDSA signature
			1 _B					Extract UID from certificate
		1 _B						Compare UID (compares the UID from the certificate versus the UID used by the NFC interface)
	1 _B							Compute COTT
0 _B								RFU

5 Solution details

To trigger all available tests, the P2 command instruction parameter must be set to 7F_H. The OPTIGA™ Authenticate NBT may also execute individual tests using a respective command instruction parameter P2 setting. Certain operations implicitly require the successful execution of other dependent tests:

- "Compute ECDSA signature" requires the successful generation of random number
- "Verify ECDSA signature" requires both the successful computation of an ECDSA signature and the successful extraction of the public key form the certificate
- "Compare UID" requires the successful extraction of the UID from the certificate

Note: *The BACKEND TEST command can only be applied to the OPTIGA™ Authenticate NBT containing the production-default keys and certificates. Therefore, the command MUST be performed before any product personalization, otherwise the test may fail since the device may already contain customer-specific keys or certificates.*

5.4.10.2 Response message

For the BACKEND TEST operation, the response data field contains a bit mask. Successfully executed tests are indicated by corresponding bits set to 1_B (refer to Table 62). If all requested tests are performed successfully, the bit mask in the response message equals the P2 command instruction parameter.

The following status words may be responded after command execution.

Table 63 Status words

SW1	SW2	Description
69 _H	85 _H	Conditions of use not satisfied: <ul style="list-style-type: none"> • If the BACKEND TEST command is disabled previously • If the BACKEND TEST command is not received over the I2C interface • If the OPTIGA™ Authenticate NBT is not in the PERSONALIZATION state
6A _H	86 _H	Incorrect P1-P2: <ul style="list-style-type: none"> • If P1 is FF_H and P2 is not 00_H
90 _H	00 _H	Successful command execution

5.4.11 SET CONFIGURATION

The SET CONFIGURATION command is used to adjust hardware-related configurations on the OPTIGA™ Authenticate NBT and to lock these configurations by setting product life cycle to OPERATIONAL state.

5.4.11.1 Command message

The SET CONFIGURATION command APDU is encoded according to the table below:

Table 64 SET CONFIGURATION command

CLA	INS	P1	P2	Lc	Data	Le
20 _H	20 _H	00 _H	00 _H	Length of configuration data	Configuration data	-

The parameters P1 and P2 are always 0000_H.

The *Configuration data* is of SIMPLE-TLV format according to ISO/IEC 7816-4 [6].

5 Solution details

Table 65 Configuration data TLV structure

Configuration Tag	Configuration Length	Configuration Value
TTTT _H	LL _H	VV _H data bytes according to LL _H

Refer to [Table 15](#) for configuration tag, length and value settings.

5.4.11.2 Response message

For the SET CONFIGURATION operation, the response data field does not contain any data. The following status words may be responded after command execution.

Table 66 Status words

SW1	SW2	Description
67 _H	00 _H	Incorrect Lc value
69 _H	85 _H	Conditions of use not satisfied
6A _H	80 _H	Incorrect parameters in the command data field
6A _H	86 _H	Incorrect P1, P2
6D _H	00 _H	INS value not supported
6E _H	00 _H	CLA value not supported
90 _H	00 _H	Successful command execution

5.4.12 GET CONFIGURATION

The GET CONFIGURATION command is used to obtain information about a specific product configuration.

5.4.12.1 Command message

The GET CONFIGURATION command APDU is encoded according to the table below:

Table 67 GET CONFIGURATION command

CLA	INS	P1	P2	Lc	Data	Le
20 _H	30 _H	00 _H	00 _H	02 _H	Configuration data tag	-

To obtain a specific configuration value, the "configuration data tag" must be set according to [Table 15](#).

5.4.12.2 Response message

The data field of the GET CONFIGURATION response message is a SIMPLE-TLV format according to ISO/IEC 7816-4, see [Table 65](#). [Table 15](#) provides a list of parameters and possible values and more details about the configuration Tag, Length and Value meanings.

The following status words may be responded after command execution.

Table 68 Status words

SW1	SW2	Description
67 _H	00 _H	Incorrect Lc value
69 _H	85 _H	Conditions of use not satisfied
6A _H	80 _H	Incorrect parameters in the command data field
6A _H	86 _H	Incorrect P1, P2

(table continues...)

5 Solution details

Table 68 (continued) Status words

SW1	SW2	Description
6D _H	00 _H	INS value not supported
6E _H	00 _H	CLA value not supported
90 _H	00 _H	Successful command execution

5.4.13 PASS-THROUGH FETCH DATA

The PASS-THROUGH FETCH DATA command can be used in NFC-I2C pass-through communication mode to retrieve the NFC interface-specific status information concatenated with the NFC received ADPU over the I2C interface.

When the NFC-I2C pass-through communication mode is not active or the NFC APDU is received, only the NFC interface-specific status information is returned.

Note: *This command is only applicable to the I2C communication interface.*

5.4.13.1 Command message

The PASS-THROUGH FETCH DATA command APDU is encoded according to the table below:

Table 69 PASS-THROUGH FETCH DATA command

CLA	INS	P1	P2	Lc	Data	Le
38 _H	CA _H	00 _H	00 _H	-	-	-

5.4.13.2 Response message

The data field of the PASS-THROUGH FETCH DATA response message contains the pass-through status word concatenated with the complete APDU received over the NFC interface.

Table 70 PASS-THROUGH FETCH DATA response structure

PT-SW1	PT-SW2	NFC ADPU	SW1	SW2
XX _H	XX _H	NFC APDU	XX _H	XX _H

The NFC APDU can have a total maximal length of 261 bytes.

The total maximal length of the response is 265 bytes. This length is indicated according the GP T=1' protocol.

Table 71 Pass-through status word first byte (PT-SW1)

b[7]	b[6]	b[5]	b[4]	b[3]	b[2]	b[1]	b[0]	Description
X _B	X _B	X _B	X _B	X _B	X _B	X _B	X _B	RFU

Table 72 Pass-through status word second byte (PT-SW2)

b[7]	b[6]	b[5]	b[4]	b[3]	b[2]	b[1]	b[0]	Description
X _B								RFU
	1 _B							Indicates a STATE_L4 exit since last status bit field retrieval by host
	0 _B							No change
		1 _B						Indicates a STATE_L4 entry since last status bit field retrieval by host

(table continues...)

5 Solution details

Table 72 (continued) Pass-through status word second byte (PT-SW2)

b[7]	b[6]	b[5]	b[4]	b[3]	b[2]	b[1]	b[0]	Description
		0 _B						No change
			1 _B					Indicates a STATE_FIELD exit since last status bit field retrieval by host
		0 _B						No change
				1 _B				Indicates a STATE_L4 entry since last status bit field retrieval by host
				0 _B				No change
					1 _B			Pass-through APDU is available
					0 _B			No pass-through APDU available
						1 _B		Layer 4 is active
						0 _B		Layer 4 is not active
							1 _B	NFC field is present
							0 _B	NFC field is off

Following status words may be responded after command execution.

Table 73 Status words

SW1	SW2	Description
68 _H	00 _H	CLA not supported
69 _H	85 _H	Condition not satisfied
90 _H	00 _H	Successful execution

5.4.14 PASS-THROUGH PUT RESPONSE

The PASS-THROUGH PUT RESPONSE command can be used in NFC-I2C pass-through communication mode to send the response to the fetched command (refer to [Chapter 5.4.13](#)) to be forwarded over the NFC interface. This command is only applicable to the I2C communication interface. The command can only be executed after entering PT-Mode and executing the PASS-THROUGH FETCH DATA command. Otherwise, an exception is returned.

5.4.14.1 Command message

The PASS-THROUGH PUT RESPONSE command APDU is encoded according to the table below:

Table 74 PASS-THROUGH PUT RESPONSE command

CLA	INS	RFU	Lc1	Lc2	Data	Le
38 _H	DA _H	00 _H	XX _H	XX _H	Pass-through response data	-

The PASS-THROUGH PUT RESPONSE command uses a proprietary format. The payload data length is encoded in 2 bytes, Field Lc1 (byte 4) and Lc2 (byte 5) of the APDU header (big endian).

The response to be forwarded over the NFC communication, including the status words SW1 and SW2, must be included in the data section.

The data field must include at least the status word (2 bytes) that will be sent over the NFC interface. The maximum accepted payload size is 258 bytes.

Refer to [Chapter 5.2.6.2](#) for more details.

5 Solution details

5.4.14.2 Response message

The data field of the PASS-THROUGH PUT RESPONSE response message does not contain any data. The following status words may be responded after command execution.

Table 75 Status words

SW1	SW2	Description
68 _H	00 _H	CLA not supported
69 _H	85 _H	Condition not satisfied
69 _H	A1 _H	Pass-through not available
69 _H	A2 _H	Wrong sequence
90 _H	00 _H	Successful command execution

5.5 Host software

As illustrated in [Figure 25](#), a typical system utilizing the OPTIGA™ Authenticate NBT, and a host microcontroller. From the perspective of the device, it is important to differentiate between on-chip software and off-chip software, as indicated.

- **On-chip software:** Describes the application operating on the OPTIGA™ Authenticate NBT, encompassing the intended functionality of the device undergoes the installation of this software during its manufacturing process, resulting in its unalterable state thereafter
- **Off-chip software:** Describes the software components of a system, executed on the remaining devices of a system (that is, off the focused chip)

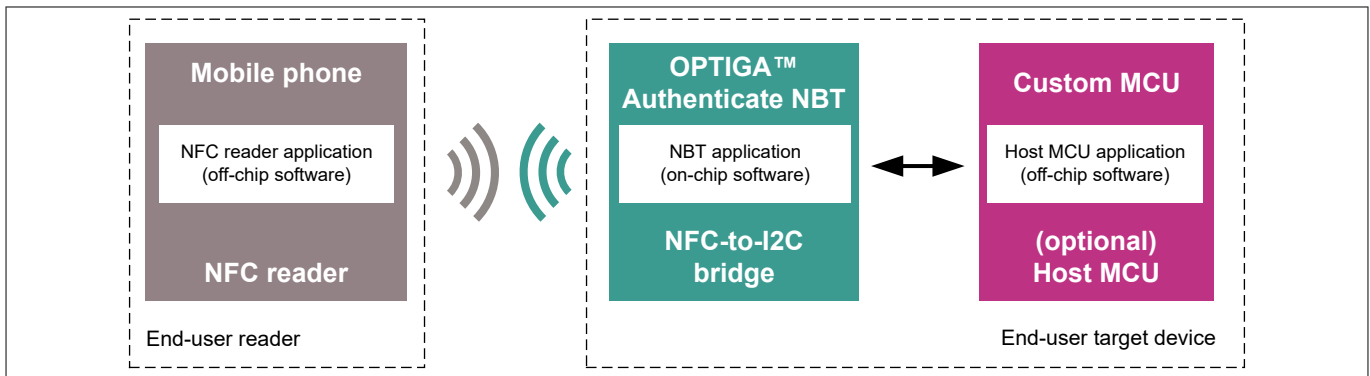


Figure 25 System software landscape

Since the OPTIGA™ Authenticate NBT's on-chip software is pre-installed on the device and is not intended for modification.

The off-chip software components focus on the software on the NFC reader and/or a host microcontroller. The host microcontroller is shown as optional in the figure since a subset of target applications (for example, brand protection) can be operated using the OPTIGA™ Authenticate NBT is powered through the NFC field and provides the target functionality without the support of a microcontroller.

For off-chip software, Infineon provides multiple host libraries that can be used by NFC reader applications as well as host MCU applications. Additionally, multiple example applications illustrate various use cases of the OPTIGA™ Authenticate NBT. The host libraries and example applications are described in more detail within the Software Integration Guide [\[18\]](#).

A Appendix

A Appendix

Infineon X.509 device certificate and PKI

In its delivery condition, the OPTIGA™ Authenticate NBT includes an NDEF message containing an Infineon X.509v3 DER-encoded certificate. This device-individual certificate is issued by an Infineon PKI and it facilitates the originality check: the certificate contains the public key that corresponds to the device's pre-installed brand protection signing key (BSK, EC P-256 private key). Henceforth, the public key is used to validate a signature computed by the production-default BSK.

The certificate is issued by an Infineon PKI using an intermediate manufacturing CA and a self-signed Infineon Root CA, as shown in [Figure 26](#). These CA certificates are available via the product website [\[14\]](#).

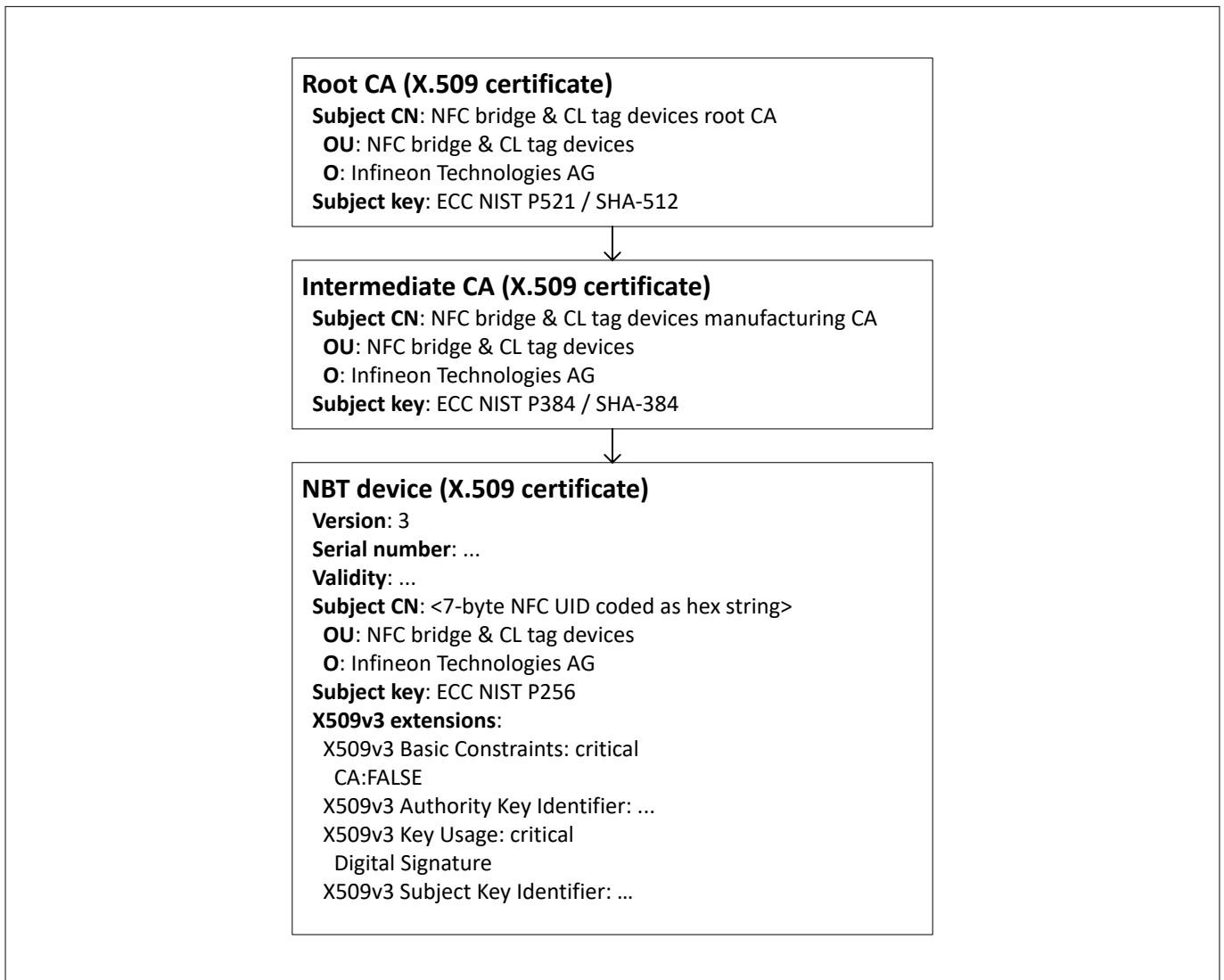


Figure 26 Infineon X.509 device certificate and PKI

The certificate subject common name (CN) contains the device's unique 7-byte NFC UID, which is encoded as a hex string with no delimiters, for example, 05848902954300_H as shown in [Figure 27](#). This UID corresponds to the NFC UID used by the device during anti-collision.

A Appendix

```
Certificate:
Data:
  Version: 3 (0x2)
  Serial Number: 1836660215 (0x6d7935f7)
  Signature Algorithm: ecdsa-with-SHA384
  Issuer: C = DE, O = Infineon Technologies AG, OU = NFC bridge & CL tag devices,
         CN = NFC bridge & CL tag devices manufacturing CA
  Validity
    Not Before: Aug 28 13:38:43 2023 GMT
    Not After : Aug 28 13:38:43 2043 GMT
  Subject: C = DE, O = Infineon Technologies AG, OU = NFC bridge & CL tag devices,
         CN = 05848902954300
  Subject Public Key Info:
    Public Key Algorithm: id-ecPublicKey
      Public-Key: (256 bit)
      pub:
        04:d4:d2:da:90:1d:ea:42:37:3a:48:ec:a7:d9:f6:
        d1:09:44:0e:a7:0a:24:20:6d:cd:76:24:56:60:ba:
        77:83:1d:e3:8b:77:76:d4:b3:b9:30:37:e7:81:c9:
        fd:f9:9f:c8:04:a8:47:97:d6:81:03:6b:bc:8e:b2:
        04:39:c3:de:aa
      ASN1 OID: prime256v1
      NIST CURVE: P-256
  X509v3 extensions:
    X509v3 Subject Key Identifier:
      6C:55:2F:86:10:AB:DE:28:26:42:73:17:A0:E8:13:61:67:E0:F4:3A
    X509v3 Key Usage: critical
      Digital Signature
    X509v3 Basic Constraints: critical
      CA:FALSE
    X509v3 Authority Key Identifier:
      keyid:C4:3F:73:A2:1C:3B:66:BB:57:E2:89:ED:1B:72:03:7C:73:C0:58:68

  Signature Algorithm: ecdsa-with-SHA384
    30:63:02:2f:50:cb:43:f1:36:fc:a2:4c:4b:73:df:1a:6e:84:
    ec:d6:78:f0:2f:7d:cb:7d:20:2f:9a:fa:a0:cf:11:10:3d:b8:
    13:a9:eb:d6:2f:4b:23:05:a7:56:75:9d:cc:42:bc:02:30:01:
    e7:ae:66:8a:ff:0f:b5:0c:19:a6:e8:65:42:7a:7d:db:ca:1b:
    84:34:ec:4c:55:98:0e:58:4d:95:bf:bb:58:59:dd:a3:f8:b5:
    4e:0a:c7:38:e2:6f:14:58:71:4a:e5
```

Figure 27 Infineon X.509v3 device certificate

This pre-installed certificate can be used to implement an offline brand protection scheme. The scheme will then be based on the Infineon PKI and any Infineon OPTIGA™ Authenticate NBT with an original, pre-installed certificate will be seen as an authentic device.

If customers want to use their own device specific key pairs it is up to customers to design their own PKI. The customer created X.509 certificate containing the device specific public key needs to be embedded into an external record which gets loaded into the NDEF message. Additionally, the corresponding device specific private key (BSK) needs to be loaded into OPTIGA™ Authenticate NBT's secure key store.

Brand protection with COTT

In its delivery condition, the OPTIGA™ Authenticate NBT includes an NDEF message containing a well-known URI record type. This record contains an URL pointing to the Infineon website ("https://www.infineon.com/?cott=") as well as the COTT placeholder string.

The initial URI record, including the COTT placeholder string looks as follows:

<https://www.infineon.com/?cott=PLACEHOLDERPLACEHOLDERPLACEHOLDERPLACEHOLDER>

A new Cryptographic One-Time Token is computed each time the NDEF message file is selected on the OPTIGA™ Authenticate NBT. A Message Authentication Code (MAC) is computed by utilizing the chip individual information (TAG-UID), two header bytes, and a TAG-RANDOM (generated each time the NDEF file is selected) as inputs. The AES-128-CMAC calculation uses the AES-128 BMK from the device's secure key store. The input data and the MAC over this data are then merged and the Base64url-encoded value is inserted into the URL by replacing the COTT placeholder string.

A Appendix

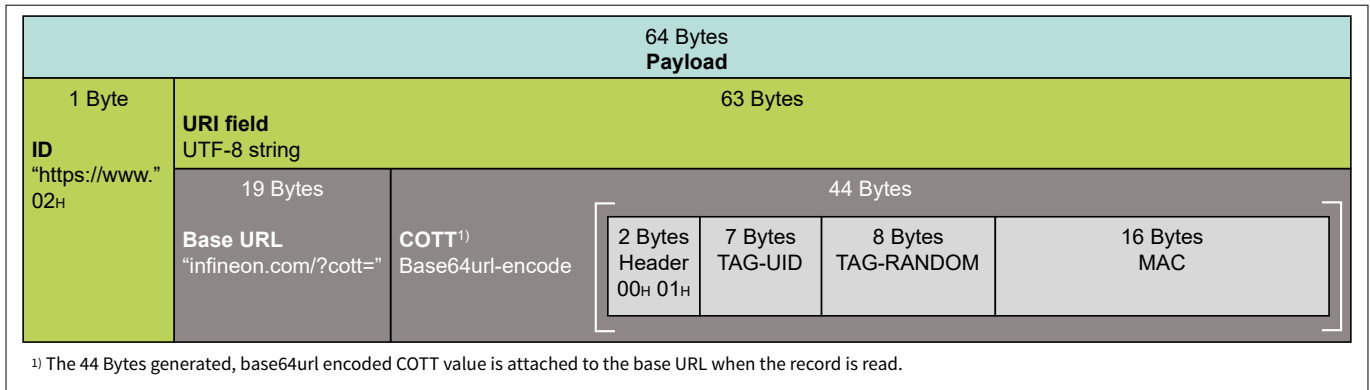


Figure 28 **NFC well-known record type payload**

Example: <https://www.infineon.com/?cott=AQWPP9nUsgBNpDlMyEa1kWZR1FEQ6mBuxXmASo261wU=>
 OEM's personalizing the OPTIGA™ Authenticate NBT to use the device in an online brand protection application, shall update the NDEF message by exchanging the URL to an OEM-specific address and adding the COTT placeholder string. This record needs to be encoded accordingly within the well-known URI record. Additionally, the initial MAC'ing key BMK needs to be exchanged in the device's secure key store to a device specific, OEM-defined value.

References

References

ISO/IEC

- [1] ISO/IEC 14443-1:2018: *Cards and security devices for personal identification - Contactless proximity objects - Part 1: Physical characteristics (Fourth edition)*; 2018-04
- [2] ISO/IEC 14443-2:2020: *Cards and security devices for personal identification – Contactless proximity objects - Part 2: Radio frequency power and signal interface (Fourth edition)*; 2020-07
- [3] ISO/IEC 14443-3:2018: *Cards and security devices for personal identification – Contactless proximity objects - Part 3: Initialization and anticollision (Fourth edition)*; 2018-07
- [4] ISO/IEC 14443-4:2018: *Cards and security devices for personal identification – Contactless proximity objects - Part 4: Transmission protocols (Fourth edition)*; 2018-06
- [5] ISO/IEC 7816-3:2006: *Identification cards - Integrated circuit cards - Part 3: Cards with contacts - Electrical interface and transmission protocols (Third edition)*; 2006-11
- [6] ISO/IEC 7816-4:2005: *Identification cards - Integrated circuit cards - Part 4: Organization, security and commands for interchange (Second edition)*; 2005-01

NFC Forum

- [7] NFC Forum: *Type 4 Tag Technical Specification (Version 1.2)*; 2022-08-16
- [8] NFC Forum: *Analog Technical Specification (Version 2.3)*; 2023-02-03
- [9] NFC Forum: *Digital Protocol Technical Specification (Version 2.3)*; 2021-08-03
- [10] NFC Forum: *Activity Technical Specification (Version 2.3)*; 2023-02-03
- [11] NFC Forum: *NFC Data Exchange Format (NDEF) Technical Specification (Version 1.0)*; 2006-07-24

GlobalPlatform

- [12] GlobalPlatform: *Card Specification (Version 2.3.1)*; 2018-03
- [13] GlobalPlatform: *APDU Transport over SPI/I2C (Version 1.0)*; 2020-01

Infineon

- [14] Infineon Technologies AG: *OPTIGA™ Authenticate NBT, product website* - <https://www.infineon.com/OPTIGA-Authenticate-NBT>
- [15] Infineon Technologies AG: *OPTIGA™ Authenticate NBT, Release Notes (latest revision)*
- [16] Infineon Technologies AG: *OPTIGA™ Authenticate NBT, Antenna Design Guide (latest revision)*
- [17] Infineon Technologies AG: *OPTIGA™ Authenticate NBT, Hardware Integration Guide (latest revision)*
- [18] Infineon Technologies AG: *OPTIGA™ Authenticate NBT, Software Integration Guide (latest revision)*
- [19] Infineon Technologies AG: *Host parameterization via asynchronous data transfer (ADT), Use Case Guide (latest revision)*
- [20] Infineon Technologies AG: *Host parameterization via pass-through (PT), Use Case Guide (latest revision)*
- [21] Infineon Technologies AG: *Static connection handover, Use Case Guide (latest revision)*
- [22] Infineon Technologies AG: *Brand protection, Use Case Guide (latest revision)*
- [23] Infineon Technologies: *Package details PG-USON-8-8* - <https://www.infineon.com/cms/en/product/packages/PG-USON/PG-USON-8-8/>
- [24] Infineon Technologies: *General recommendations for board assembly of Infineon packages* - https://www.infineon.com/dgdl/Infineon-Board_Assembly_Recommendations-General-Package-v05_00-EN.pdf?fileId=5546d4625cc9456a015ccaf4a1fe3a32

Inter-Integrated Circuit

- [25] NXP Semiconductors: *I2C-bus specification and user manual (Revision 7.0)*; 2021-10-01

Other

- [26] FIPS 186-5: *Digital Signature Standard (DSS) (Revision 5.0)*; 2023-02-03

Glossary

Glossary

AC

alternating current (AC)

ADF

application dedicated file (ADF)

AES

Advanced Encryption Standard (AES)

The standard for the encryption of electronic data established by the U.S. National Institute of Standards and Technology (NIST) in 2001. The algorithm described by AES is a symmetric-key algorithm (the same key is used for both encryption and decryption).

APDU

application protocol data unit (APDU)

The communication unit between a smart card reader and a smart card.

BMK

brand protection "MAC'ing" key (BMK)

BSK

brand protection signing key (BSK)

CB

contact-based (CB)

Used to refer to the controller operating in a contact-based power environment.

CC

capability container (CC)

COTT

cryptographic one time token (COTT)

DC

direct current (DC)

A synonym for static parameters of an electronic circuit, for example defining supply voltages or currents. Its antonym would be dynamic parameters see also AC.

DGI

data group identifier (DGI)

ECC

elliptic curve cryptography (ECC)

EF

elementary file (EF)

A file system component containing (user) data.

FAP

file access policy (FAP)

Glossary

GND

ground (GND)

GP

GlobalPlatform (GP)

I2C

inter-integrated circuit (I2C)

ID

identifier (ID)

IEC

International Electrotechnical Commission (IEC)

The international committee responsible for drawing up electrotechnical standards.

IRQ

interrupt request (IRQ)

A type of exception that breaks the linear flow of a program. The requesting module needs a software service routine to evaluate its current state and take the necessary actions.

ISO

International Organization for Standardization (ISO)

Lc

The length field for coding Nc.

Le

The length field for coding Ne.

MAC

message authentication code (MAC)

Used to prove message integrity.

MCU

microcontroller unit (MCU)

One or more processor cores along with memory and programmable input/output peripherals.

NAK

not acknowledged (NAK)

NDEF

NFC data exchange format (NDEF)

A standardized data format specification by the NFC Forum to describe how a set of actions are to be encoded onto a NFC tag or to be exchanged between two active NFC devices.

NFC

near field communication (NFC)

NFCT4T

NFC Type 4 Tag (NFCT4T)

Glossary

NLEN

NDEF length (NLEN)

A field in the NDEF message that indicates the size of the NDEF message.

OU

organization unit (OU)

PKI

public key infrastructure (PKI)

A set of roles, policies, hardware, software, and procedures needed to create, manage, distribute, use, store, and revoke digital certificates and manage public-key encryption.

PLEN

proprietary length field (PLEN)

SCL

serial clock line (SCL)

SDA

serial data line (SDA)

TLV

tag length value (TLV)

UID

unique identifier (UID)

WTX

waiting time extension (WTX)

A waiting time extension request, available in the T=0 protocol. The smart card controller sends a 0x60 byte to the IFD, which in turn resets its timeout counter on this event.

Revision history

Revision history

Reference	Description
Revision 2.1, 2024-04-18	
All	Editorial changes
Revision 2.0, 2024-03-28	
All	Major customer release
Revision 1.1, 2023-07-07	
All	Editorial changes
Revision 1.0, 2023-05-12	
All	Initial release

Trademarks

All referenced product or service names and trademarks are the property of their respective owners.

Edition 2024-04-18

Published by

Infineon Technologies AG

81726 Munich, Germany

© 2024 Infineon Technologies AG

All Rights Reserved.

Do you have a question about any aspect of this document?

Email:

CSSCustomerService@infineon.com

Document reference

IFX-mjp1660293537850

Important notice

The information given in this document shall in no event be regarded as a guarantee of conditions or characteristics ("Beschaffheitsgarantie").

With respect to any examples, hints or any typical values stated herein and/or any information regarding the application of the product, Infineon Technologies hereby disclaims any and all warranties and liabilities of any kind, including without limitation warranties of non-infringement of intellectual property rights of any third party.

In addition, any information given in this document is subject to customer's compliance with its obligations stated in this document and any applicable legal requirements, norms and standards concerning customer's products and any use of the product of Infineon Technologies in customer's applications.

The data contained in this document is exclusively intended for technically trained staff. It is the responsibility of customer's technical departments to evaluate the suitability of the product for the intended application and the completeness of the product information given in this document with respect to such application.

Warnings

Due to technical requirements products may contain dangerous substances. For information on the types in question please contact your nearest Infineon Technologies office.

Except as otherwise explicitly approved by Infineon Technologies in a written document signed by authorized representatives of Infineon Technologies, Infineon Technologies' products may not be used in any applications where a failure of the product or any consequences of the use thereof can reasonably be expected to result in personal injury.