

# OPTIGA™ Trust M MTR

The easy way to add Matter and security to your smart home devices



OPTIGA™ Trust M MTR is Infineon's OPTIGA™ Trust M discrete security solution with a Matter provisioning service.

## Features

As a configuration of OPTIGA™ Trust M, OPTIGA™ Trust M MTR offers the same extensive list of features:

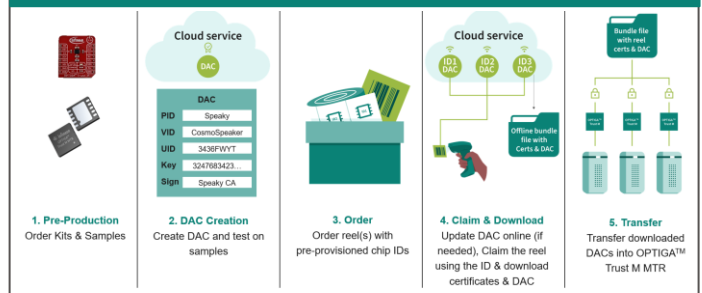
- Enabling Matter and Security for Smart Home Devices in a faster way
- Pre-provisioned ECC & RSA Certificates for quick onboarding
- Matter-Certified PKI services offered by Kudelski IoT
- Matter DAC Authentication based on ECDSA NIST P256
- Common Criteria EAL6+ (high) certified hardware
- Cryptography support: (up to) ECC-512, RSA-2k, AES-256, SHA256
- I2C serial communication
- USON10-2/4 package (3x3mm)
- Temperature range of -25 to +85°C
- Public Software Framework on Github
- Full turnkey solution incl. drivers / SW library / certificate(s) & key pair(s) implementation

## Benefits

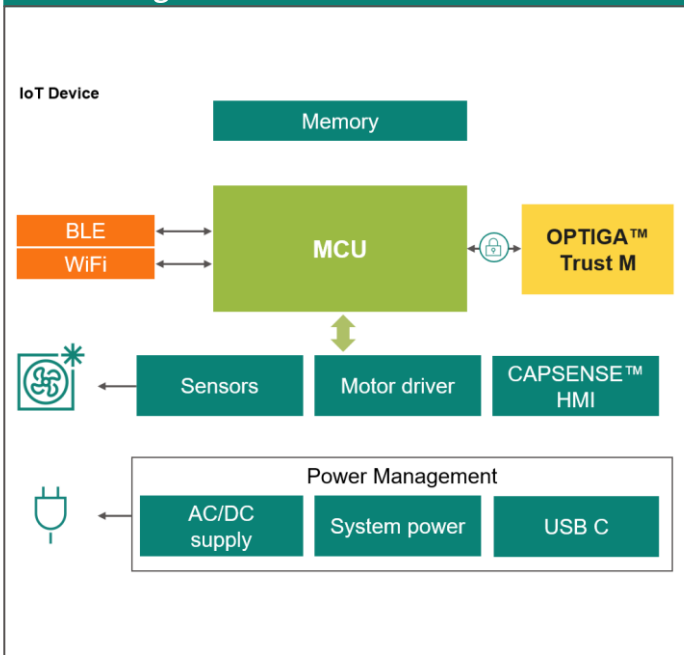
The ideal solution for adding Matter compatibility the easy way

- OPTIGA™ Trust M MTR is a pre-provisioned discrete SE
- It can be inserted into any MCU/SoC, allowing you to keep your existing design
- Device Attestation Certificates (DACs) can be downloaded right up until the start of production
- Flexibility to decide on product variants after ordering the security chips

## OPTIGA™ Trust M MTR flow



## Block diagram – OPTIGA™ Trust M



## Target applications & use cases

Smart home / Smart building / Industrial automation

- Lighting/Electrical
- Blinds/Shades
- HVAC controls
- TVs
- Access control
- Safety & security
- Access points, bridges
- Variety of devices and interfaces

## More information and tools to get started

[Visit webpage](#)

[Visit GitHub](#)

[OPTIGA Trust M MTR Shield](#)

