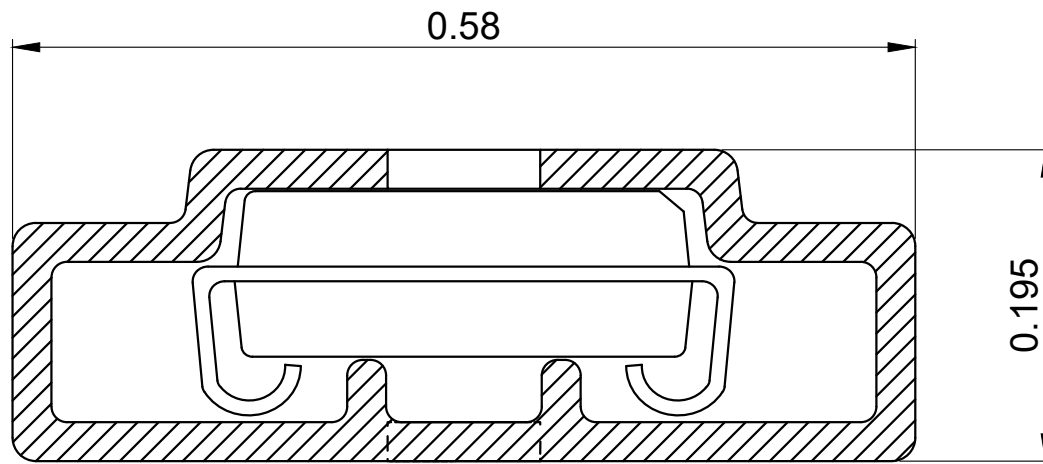
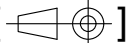


Without slot



Red and black slotted tube

All dimensions are in units inches

The drawing is in compliance with ISO 128-30, Projection Method 1 [  ]