

RIC7S113 evaluation board

Open loop high- and low-side gate driver with BUY65CS08J-01

RIC7S113EVAL1 is an open loop half bridge board which features RIC7S113 and BUY65CS08J-01. RIC7S113 is a radiation hardened (rad hard) 400 V, high speed power MOSFET and IGBT driver with independent high- and low-side referenced output channels. BUY65CS08J-01 is a 650 V, 8 A rad hard Power-MOSFET.

This board is ideal for quick benchtop evaluation of RIC7S113. The half bridge power stage can be configured in multiple power topologies, such as buck or boost, as well as MOSFET tests, such as a double pulse test.

Visit www.infineon.com/ric7s113 to download the user guide and request samples.

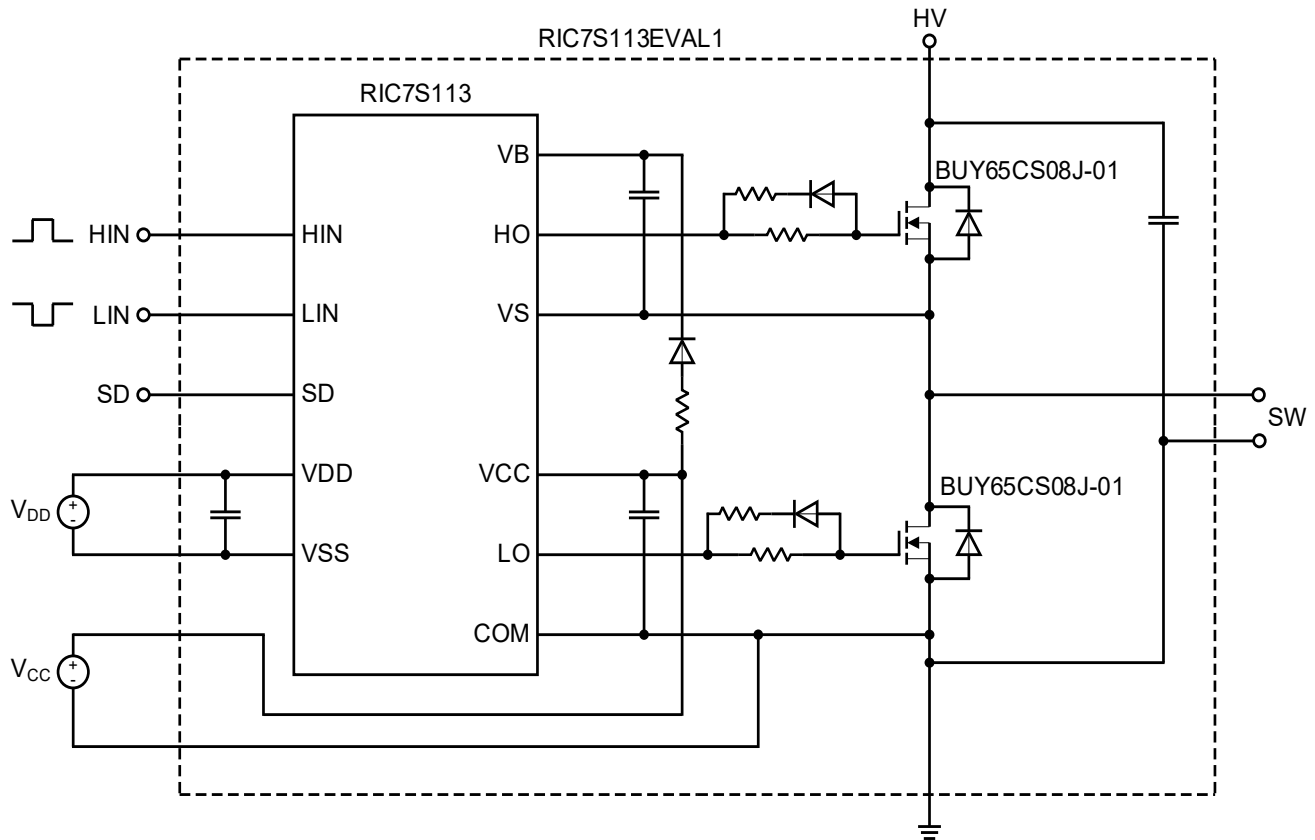
Key features

- Supports independent or single VCC and VDD bias power supply
- Supports single PWM with on board complementary and dead time generation, or independent PWN input
- Power transistor footprint supports SMD-0.5, SMD-0.5e package devices
- Flexible open loop power stage configurable for variety of operating conditions
- PCB layout and test points optimized for ease of use for engineering evaluation



RIC7S113 evaluation board

Open loop high- and low-side gate driver with BUY65CS08J-01



Published by
International Rectifier HiRel Products, Inc.
An Infineon Technologies Company
El Segundo, California 90245 USA

© 2023 Infineon Technologies AG
All rights reserved.

Public

Document number:

B119-I1182-7600-NA-EC-P

Date: 10/ 2023

Please note!

This Document is for information purposes only and any information given herein shall in no event be regarded as a warranty, guarantee or description of any functionality, conditions and/or quality of our products or any suitability for a particular purpose. With regard to the technical specifications of our products, we kindly ask you to refer to the relevant product data sheets provided by us. Our customers and their technical departments are required to evaluate the suitability of our products for the intended application.

We reserve the right to change this document and/ or the information given herein at any time.

Additional information

For further information on technologies, our products, the application of our products, delivery terms and conditions and/or prices, please contact your nearest Infineon Technologies office (www.infineon.com).

Warnings

Due to technical requirements, our products may contain dangerous substances. For information on the types in question, please contact your nearest International Rectifier HiRel Products, Inc., an Infineon Technologies office.

International Rectifier HiRel components may only be used in life-support devices or systems with the expressed written approval of International Rectifier HiRel Products, Inc., an Infineon Technologies company, if a failure of such components can reasonably be expected to cause the failure of that life-support device or system, or to affect the safety or effectiveness of that device or system.

Life support devices or systems are intended to be implanted in the human body, or to support and/ or maintain and sustain and/ or protect human life. If they fail, it is reasonable to assume that the health of the user or other persons may be endangered.



Scan QR code and explore offering
www.infineon.com/hirel