

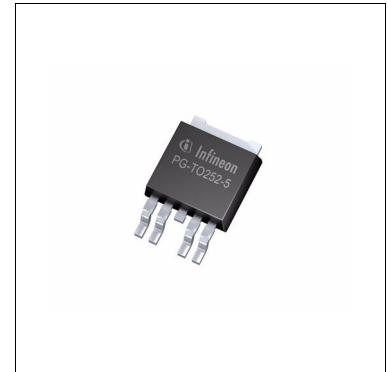
OPTIREG™ linear TLE4476D

Dual low-drop voltage regulator



Features

- Output 1: 350 mA, 3.3 V ± 4%
- Output 2: 430 mA, 5.0 V ± 4%
- Enable input for output 2
- Low quiescent current in OFF state
- Wide operation range: up to 42 V
- Reverse battery protection: up to 42 V
- Output protected against short-circuit
- Wide temperature range: -40°C to +170°C
- Overvoltage protection up to 65 V (< 400 ms)
- Overtemperature protection
- Overload protection
- Green Product (RoHS compliant)



Potential applications

General automotive applications.

Product validation

Qualified for automotive applications. Product validation according to AEC-Q100.

Description

The TLE4476D is a monolithic integrated voltage regulator providing two output voltages, Q1 is a 3.3 V output for loads up to 350 mA and Q2 is a 5 V output providing 430 mA. Output 2 can be switched ON/OFF via the enable input EN. The device is available in the PG-TO252-5 (DPAK) package.

The TLE4476D is designed to supply microprocessor systems under the severe conditions of automotive applications and is therefore equipped with additional protection functions against overload, short-circuit and overtemperature.

Type	Package	Marking
TLE4476D	PG-TO252-5	4476D

Table of Contents

	Features	1
	Potential applications	1
	Product validation	1
	Description	1
	Table of Contents	2
1	Block diagram	3
2	Pin configuration	4
2.1	Pin assignment PG-TO252-5	4
2.2	Pin definitions and functions PG-TO252-5	4
3	General product characteristics	5
3.1	Absolute maximum ratings	5
3.2	Functional range	5
4	Electrical characteristics	7
4.1	Typical performance characteristics	8
5	Application information	11
5.1	Application diagram	11
5.2	Selection of external components	11
5.2.1	Input, output	11
5.2.2	Enable	11
5.3	Further application information	11
6	Package information	12
7	Revision history	13

Block diagram

1 Block diagram

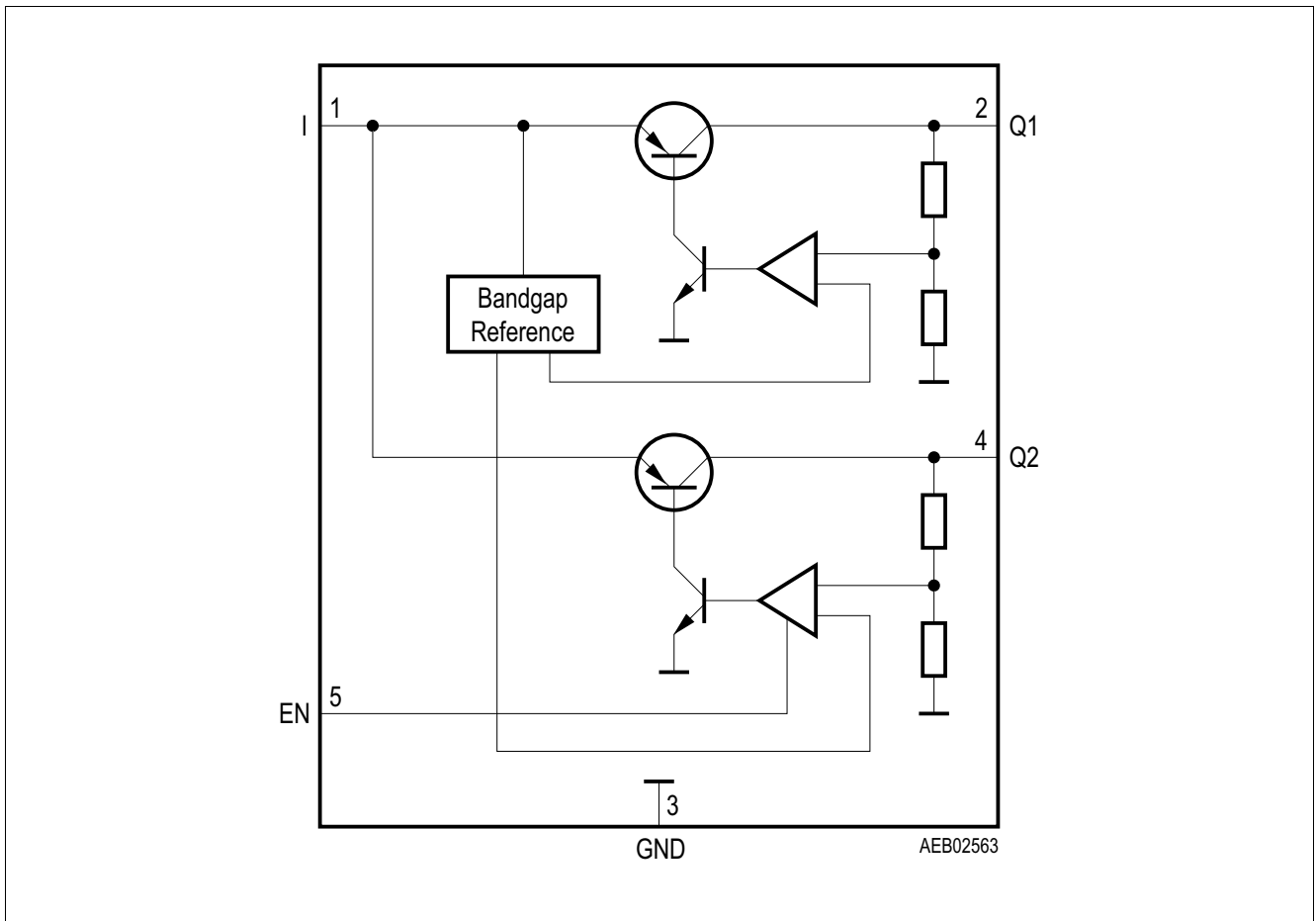


Figure 1 Block diagram

Pin configuration

2 Pin configuration

2.1 Pin assignment PG-TO252-5

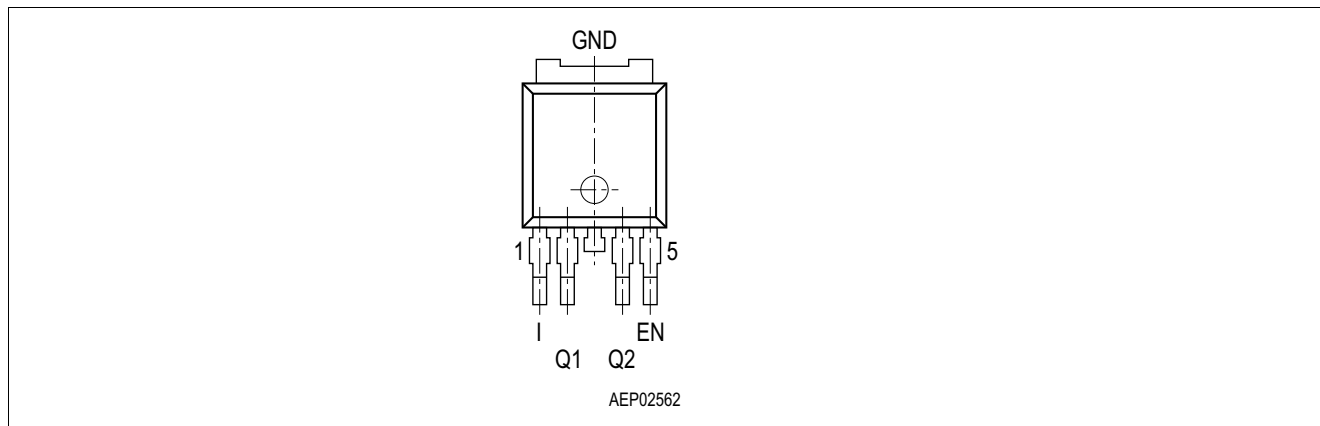


Figure 2

2.2 Pin definitions and functions PG-TO252-5

Table 1 Pin definitions and functions

Pin no.	Symbol	Function
1	I	Input voltage Block to GND directly at the IC with a ceramic capacitor
2	Q1	3.3 V output Block to GND with a capacitor $C_{Q1} \geq 10 \mu\text{F}$, $\text{ESR} < 2 \Omega$ at 10 kHz
3	GND	Ground
4	Q2	5 V output Block to GND with a capacitor $C_{Q2} \geq 10 \mu\text{F}$, $\text{ESR} < 3 \Omega$ at 10 kHz
5	EN	Enable input Switch Q2 ON (high signal) or OFF (low signal)

General product characteristics

3 General product characteristics

3.1 Absolute maximum ratings

Table 2 Absolute maximum ratings

$T_j = -40^\circ\text{C}$ to $+170^\circ\text{C}$

Parameter	Symbol	Values			Unit	Note or Test Condition	Number
		Min.	Typ.	Max.			
Input I							
Voltage	V_I	-42	–	42	V	–	P_3.1.1
Voltage	V_I	–	–	65	V	$t < 400$ ms	P_3.1.2
Current	I_I	–	–	–	mA	Internally limited	P_3.1.3
3.3 V output Q1							
Voltage	V_{Q1}	-1	–	36	V	–	P_3.1.4
Current	I_{Q1}	–	–	–	mA	Internally limited	P_3.1.5
5 V output Q2							
Voltage	V_{Q2}	-1	–	36	V	–	P_3.1.6
Current	I_{Q2}	–	–	–	mA	Internally limited	P_3.1.7
Inhibit EN							
Voltage	V_{EN}	-42	–	42	V	–	P_3.1.8
Voltage	V_{EN}	–	–	65	V	$t < 400$ ms	P_3.1.9
Current	I_{EN}	–	–	–	mA	Internally limited	P_3.1.10
Temperatures							
Junction temperature	T_j	-50	–	170	$^\circ\text{C}$	–	P_3.1.11
Storage temperature	T_{stg}	-50	–	150	$^\circ\text{C}$	–	P_3.1.12

Notes

1. ESD-Protection according to MIL Std. 883: ± 2 kV.
2. Stresses above those listed here may cause permanent damage to the device. Exposure to absolute maximum rating conditions for extended periods may affect device reliability.

3.2 Functional range

Table 3 Functional range

Parameter	Symbol	Values			Unit	Note or Test Condition	Number
		Min.	Typ.	Max.			
Output 1 input voltage	V_{I1}	4.5	–	42	V	1)	P_3.2.1
Output 2 input voltage	V_{I1}	5.7	–	42	V	2)	P_3.2.2
3.3 V regulator output current	I_{O1}	0	–	350	mA	–	P_3.2.3

General product characteristics

Table 3 Functional range (cont'd)

Parameter	Symbol	Values			Unit	Note or Test Condition	Number
		Min.	Typ.	Max.			
5 V regulator output current	I_{O2}	0	–	430	mA	–	P_3.2.4
Junction temperature	T_j	-40	–	170	°C	³⁾	P_3.2.5

Thermal resistances

Junction case	$R_{th,j-case}$	–	–	3	K/W	–	P_3.2.6
Junction ambient	$R_{th,j-a}$	–	–	80	K/W	⁴⁾	P_3.2.7

- 1) Input voltage V_I required for operation of output Q1.
- 2) Input voltage V_I required for operation of output Q2.
- 3) The overtemperature protection is set to > 170°C. The voltage regulator may not be operated continuously at 170°C as device reliability will be reduced to 500 h statistical lifetime.
- 4) Worst case regarding peak temperature, zero airflow; mounted on a PCB 80 × 80 × 1.5 mm³, 35 μm Cu, 5 μm Sn, heat sink area 300 mm².

Note: In the operating range the functions given in the circuit description are fulfilled.

Electrical characteristics

4 Electrical characteristics

Table 4 Electrical Characteristics

$V_I = 13.5\text{ V}$; $V_{EN} > V_{ENH}$; $T_j = -40^\circ\text{C}$ to $+150^\circ\text{C}$; unless otherwise specified.

Parameter	Symbol	Values			Unit	Note or Test Condition	Number
		Min.	Typ.	Max.			

3.3 V output Q1

Output voltage	V_{Q1}	3.17	3.3	3.43	V	$1\text{ mA} < I_{Q1} < 250\text{ mA}$	P_4.0.1
Output current limitation	I_{Q1}	350	–	900	mA	¹⁾	P_4.0.2
Load regulation	ΔV_{Q1}	–	–	30	mV	$1\text{ mA} < I_{Q1} < 250\text{ mA}$	P_4.0.3
Line regulation	ΔV_{Q1}	–	–	20	mV	$I_{Q1} = 5\text{ mA}$; $6\text{ V} < V_I < 28\text{ V}$	P_4.0.4
Power supply ripple rejection	$PSRR$	–	60	–	dB	²⁾ $20\text{ Hz} < f_r < 20\text{ kHz}$; $V_r = 5 V_{pp}$	P_4.0.5
Output capacitor	C_{Q1}	10	–	–	μF	–	P_4.0.6
ESR of output capacitor	R_{ESRQ1}	–	–	2	Ω	At 10 kHz	P_4.0.7

5 V output Q2

Output voltage	V_{Q2}	4.8	5.0	5.2	V	$1\text{ mA} < I_{Q2} < 330\text{ mA}$	P_4.0.8
Output current limitation	I_{Q2}	430	–	900	mA	¹⁾	P_4.0.9
Drop voltage; $V_{DRQ2} = V_I - V_{Q2}$	V_{DRQ2}	–	0.3	0.7	V	¹⁾ $I_{Q2} = 330\text{ mA}$	P_4.0.10
Load regulation	ΔV_{Q2}	–	–	50	mV	$5\text{ mA} < I_{Q2} < 330\text{ mA}$	P_4.0.11
Line regulation	ΔV_{Q2}	–	–	50	mV	$I_{Q2} = 5\text{ mA}$; $6\text{ V} < V_I < 28\text{ V}$	P_4.0.12
Power supply ripple rejection	$PSRR$	–	60	–	dB	²⁾ $20\text{ Hz} < f_r < 20\text{ kHz}$; $V_r = 5 V_{pp}$	P_4.0.13
Output capacitor	C_{Q2}	10	–	–	μF	–	P_4.0.14
ESR of output capacitor	R_{ESRQ2}	–	–	3	Ω	At 10 kHz	P_4.0.15

Current consumption

Quiescent current; $I_q = I_1 - I_{Q1}$	I_q	–	100	150	μA	$T_j < 85^\circ\text{C}$; $V_{EN} = 0\text{ V}$	P_4.0.16
Quiescent current; $I_q = I_1 - I_{Q1} - I_{Q2}$	I_q	–	300	400	μA	$I_{Q1} = I_{Q2} = 300\text{ }\mu\text{A}$; $T_j < 85^\circ\text{C}$	P_4.0.17
Quiescent current; $I_q = I_1 - I_{Q1} - I_{Q2}$	I_q	–	2.5	10	mA	$I_{Q1} = 150\text{ mA}$; $I_{Q2} = 300\text{ }\mu\text{A}$	P_4.0.18
Quiescent current; $I_q = I_1 - I_{Q2} - I_{Q1}$	I_q	–	5	13	mA	$I_{Q1} = 300\text{ }\mu\text{A}$; $I_{Q2} = 250\text{ mA}$	P_4.0.19

Enable input EN

EN ON voltage	$V_{EN\text{ ON}}$	1.8	–	–	V	$V_{Q2\text{ ON}}$	P_4.0.20
EN OFF voltage	$V_{EN\text{ OFF}}$	–	–	1.0	V	$V_{Q2\text{ OFF}}$	P_4.0.21
Input current	V_{EN}	–	20	30	μA	$V_{EN} = 13\text{ V}$	P_4.0.22

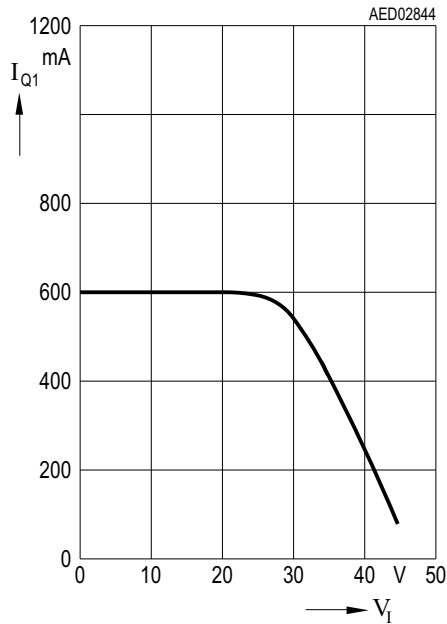
1) Measured when the output voltage V_Q has dropped 100 mV from the nominal value.

2) Guaranteed by design.

Electrical characteristics

4.1 Typical performance characteristics

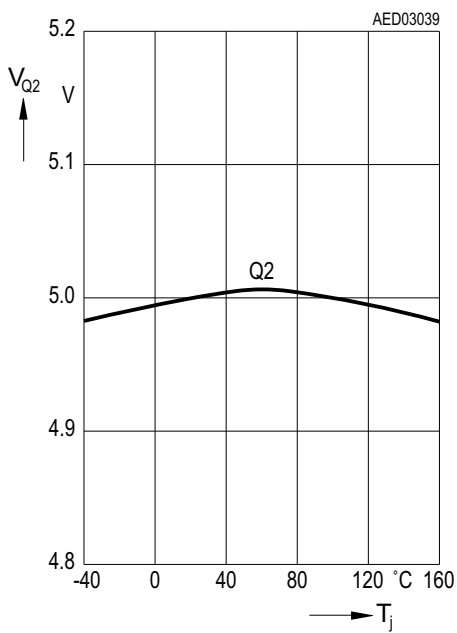
Output current I_{Q1} versus input voltage V_I



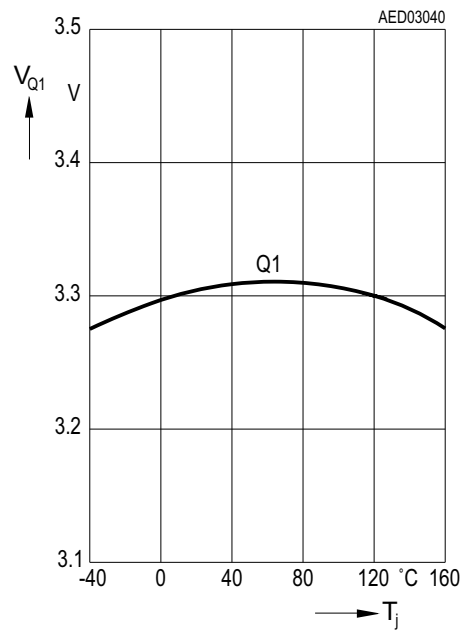
Output current I_{Q2} versus input voltage V_I enable ON



Output voltage V_{Q2} versus temperature T_j

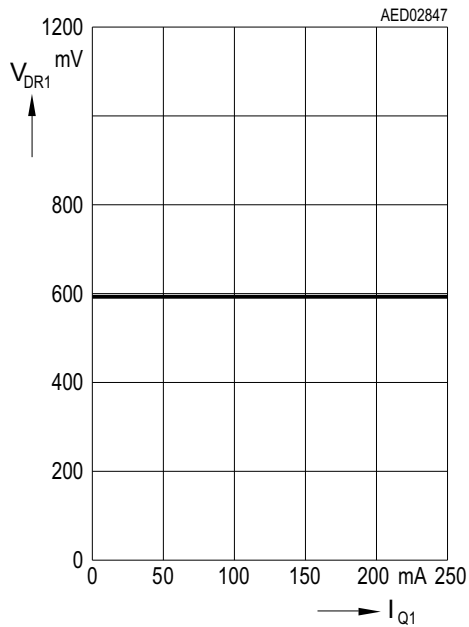


Output voltage V_{Q1} versus temperature T_j

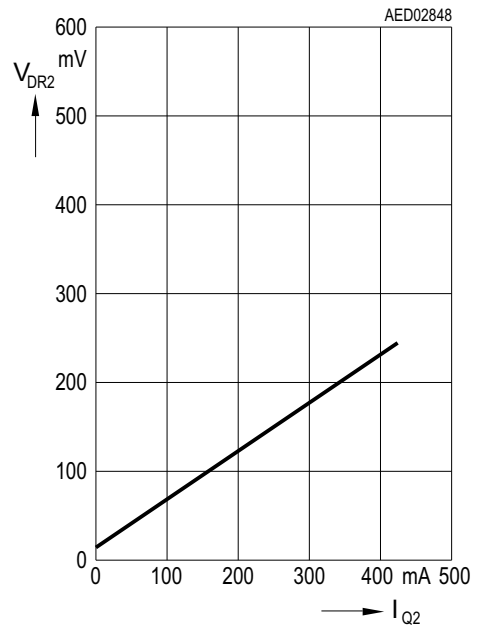


Electrical characteristics

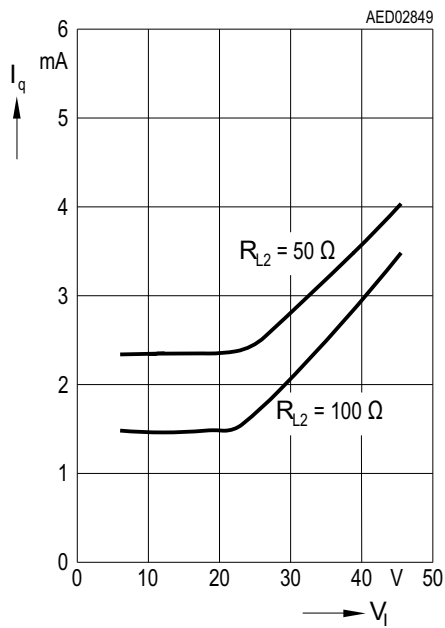
Drop voltage V_{DR1} versus output current I_{Q1}



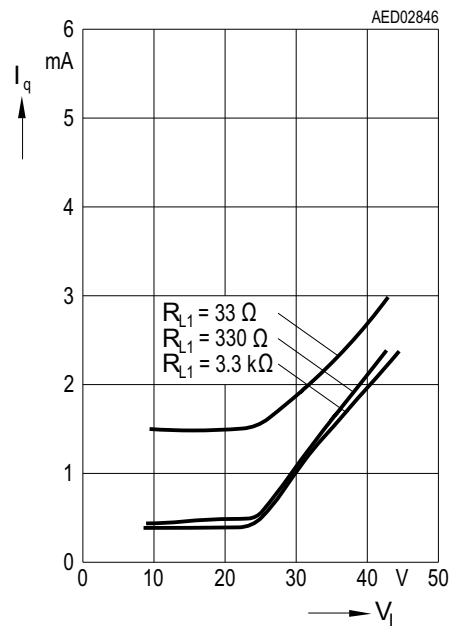
Drop voltage V_{DR2} versus output current I_{Q2} EN ON



Current consumption I_q versus input voltage V_I

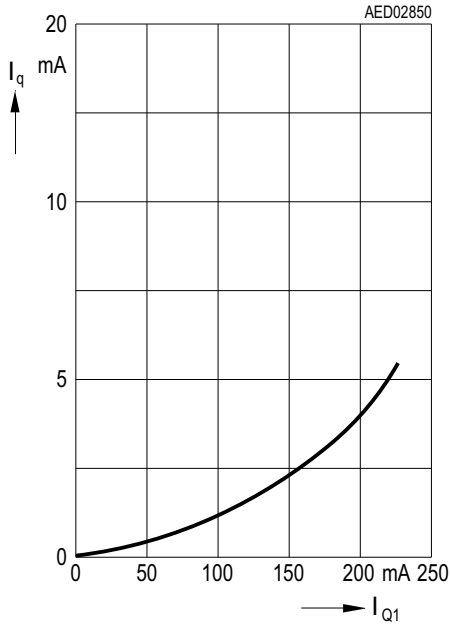


Current consumption I_q versus input voltage V_I

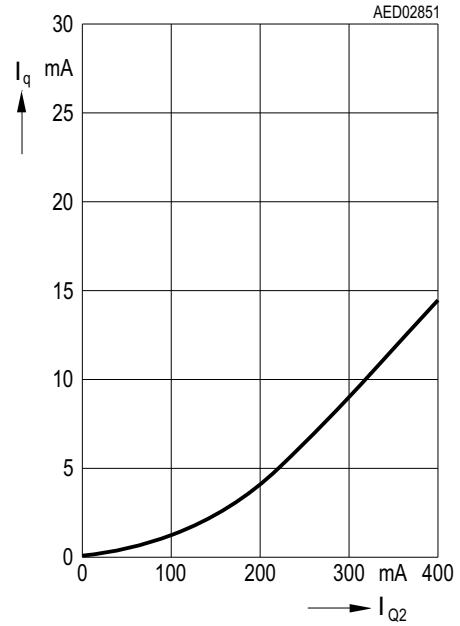


Electrical characteristics

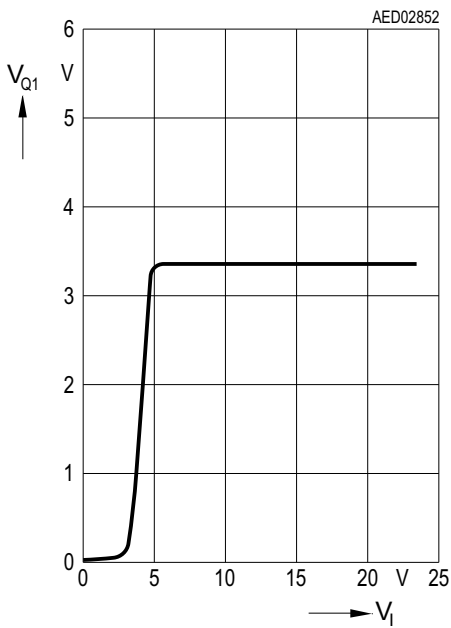
Current consumption I_q versus output current I_{Q1}



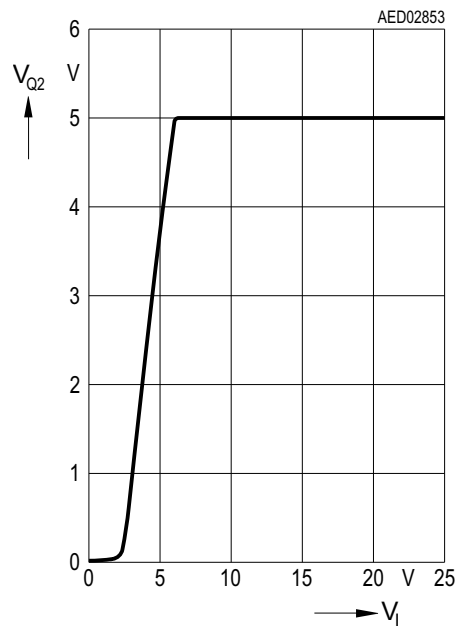
Current consumption I_q versus output current I_{Q2}



Output voltage V_{Q1} versus input voltage V_I



Output voltage V_{Q2} versus input voltage V_I



Application information

5 Application information

Note: The following information is given as a hint for the implementation of the device only and shall not be regarded as a description or warranty of a certain functionality, condition or quality of the device.

5.1 Application diagram

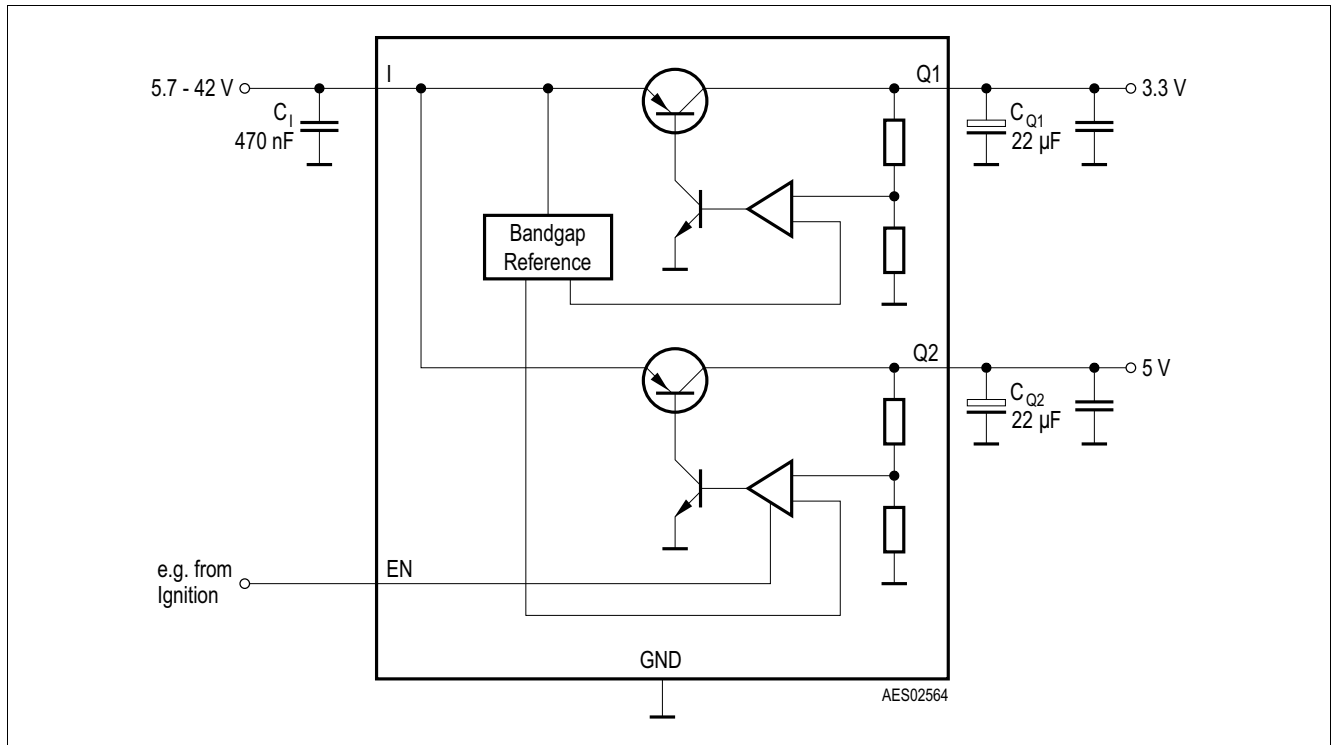


Figure 3 Application diagram

5.2 Selection of external components

5.2.1 Input, output

The input capacitor C_1 is necessary for compensating line influences. Using a resistor of approx. 1Ω in series with C_1 , the LC circuit of input inductivity and input capacitance can be damped. To stabilize the regulation circuits of the stand-by and main regulator, output capacitors C_{Q1} and C_{Q2} are necessary. Stability is guaranteed at values, $C_{Q1} \geq 10 \mu\text{F}$ ($\text{ESR} \leq 2 \Omega$) and $C_{Q2} \geq 10 \mu\text{F}$ ($\text{ESR} \leq 3 \Omega$) within the operating temperature range.

5.2.2 Enable

Using the enable feature output 2 (5 V output) can be switched ON or OFF. The enable input can be connected directly to terminal 30 (battery line) or 15 (ignition line). It is also possible to control the output 2 via the microcontroller.

5.3 Further application information

For further information you may contact <https://www.infineon.com>.

6 Package information

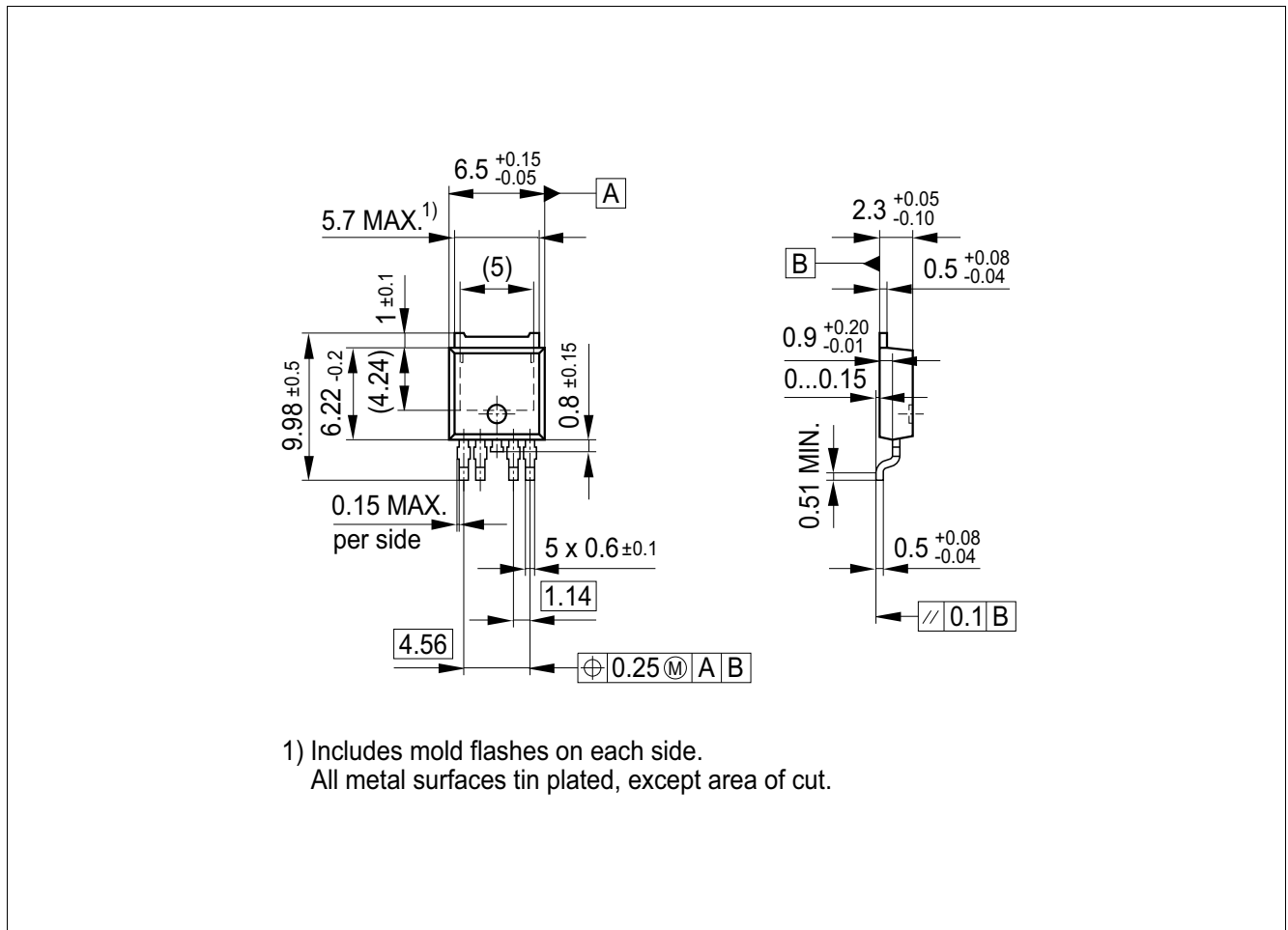


Figure 4 PG-T0252-5¹⁾

Green Product (RoHS compliant)

To meet the world-wide customer requirements for environmentally friendly products and to be compliant with government regulations, the device is available as a Green Product. Green Products are RoHS compliant (Pb-free finish on leads and suitable for Pb-free soldering according to IPC/JEDEC J-STD-020).

Further information on packages

<https://www.infineon.com/packages>

1) Dimensions in mm

Revision history

7 Revision history

Revision	Date	Changes
Rev. 2.70	2024-10-25	Max temperature of EC table headers reverted back to correct value (150°C) which got set incorrectly during template update (Rev. 2.60) Editorial changes
Rev. 2.60	2023-08-07	Update template, layout, and structure Editorial changes
Rev. 2.50	2007-03-20	Initial version of RoHS-compliant derivate of TLE4476D Page 1: AEC certified statement added Page 1 and Page 12: RoHS compliance statement and Green Product feature added Page 1 and Page 12: Package changed to RoHS compliant version Legal Disclaimer updated

Trademarks

All referenced product or service names and trademarks are the property of their respective owners.

Edition 2024-10-25

Published by

Infineon Technologies AG

81726 Munich, Germany

© 2024 Infineon Technologies AG.

All Rights Reserved.

Do you have a question about any aspect of this document?

Email: erratum@infineon.com

Document reference

Z8F55296901

IMPORTANT NOTICE

The information given in this document shall in no event be regarded as a guarantee of conditions or characteristics ("Beschaffheitsgarantie").

With respect to any examples, hints or any typical values stated herein and/or any information regarding the application of the product, Infineon Technologies hereby disclaims any and all warranties and liabilities of any kind, including without limitation warranties of non-infringement of intellectual property rights of any third party.

In addition, any information given in this document is subject to customer's compliance with its obligations stated in this document and any applicable legal requirements, norms and standards concerning customer's products and any use of the product of Infineon Technologies in customer's applications.

The data contained in this document is exclusively intended for technically trained staff. It is the responsibility of customer's technical departments to evaluate the suitability of the product for the intended application and the completeness of the product information given in this document with respect to such application.

For further information on technology, delivery terms and conditions and prices, please contact the nearest Infineon Technologies Office (www.infineon.com).

WARNINGS

Due to technical requirements products may contain dangerous substances. For information on the types in question please contact your nearest Infineon Technologies office.

Except as otherwise explicitly approved by Infineon Technologies in a written document signed by authorized representatives of Infineon Technologies, Infineon Technologies' products may not be used in any applications where a failure of the product or any consequences of the use thereof can reasonably be expected to result in personal injury.