

## Product brief

# Wireless charging IC

## WLC1150 Transmitter 50 W

Integrated USB-PD, DC/DC, inverter, sensing, software

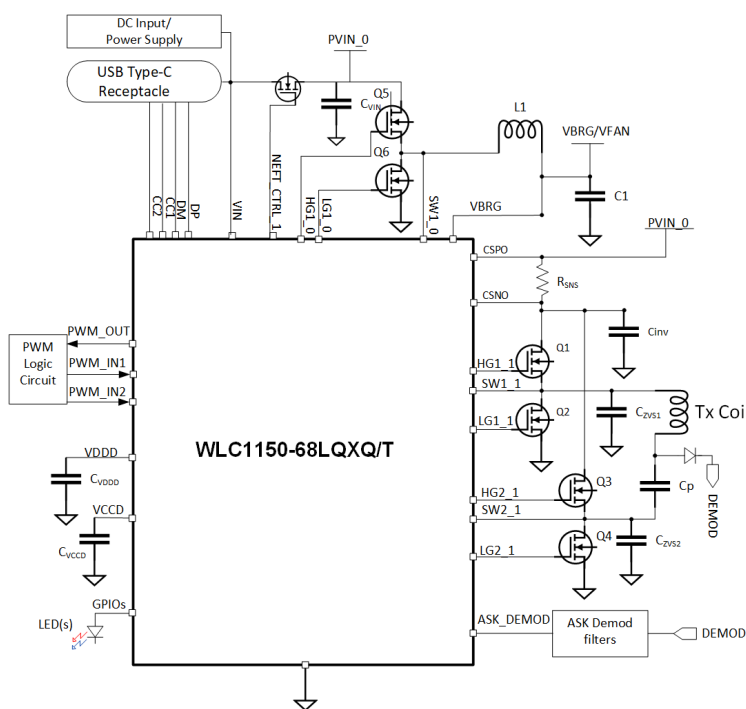
Infineon's wireless charging controllers (WLC) offer highly integrated yet scalable platforms that help to meet compliance and proprietary charging requirements with configurable firmware.

### Key features

- › Proprietary protocols and Qi latest
- › Software configurable
- › Integrated USB-PD/PPS controller
- › Integrated gate drivers
  - Full bridge inverter
  - Buck-boost converter
- › Adaptive foreign object detection
- › Wide input voltage range: 4.5 V-24 V
- › Communication ports: I<sup>2</sup>C, UART
- › Temperature range: -40°C - 105 °C

### Package

- › 68-QFN 8 mm x 8 mm
- › Tray or tape & reel options



### Potential applications:

- › Wireless charging pads for Infineon high power proprietary protocol (50W) and Qi extended power profile (EPP) (15 W)
- › Industrial wireless charging applications
- › Vacuum cleaner, robotics and drones
- › Furniture and home goods
- › Docking stations
- › Smart phones

# Wireless charging IC

## WLC1150 Transmitter 50 W

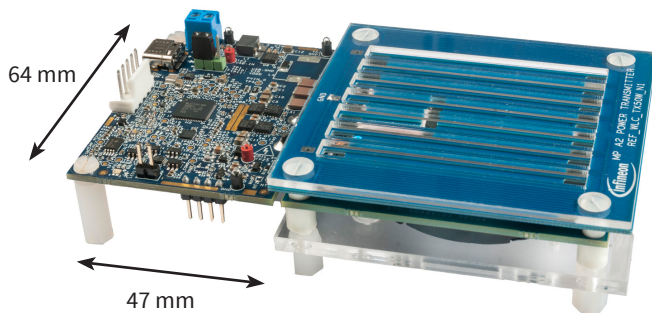
Integrated USB-PD, DC/DC, inverter, sensing, software

The companion **REF\_WLC\_TX50W\_N1** MP A2 power transmitter solution board is Qi v1.3.2 compatible with Extended Power Profile (EPP) transmitter design. It also supports Basic Power Profile (BPP) with proprietary power delivery extensions. This reference board is operated at typical frequency of 110-145 kHz and is powered using USB-C power adapter. Additionally, it can support DC input of 20V through firmware option.

### Key Benefits

- › Highly efficient using direct PPS control
- › Integrated single-chip 50 W transmitter solution
- › Configuration Utility for Qi and Proprietary stack parameters
- › Thermal management options with fan cooling
- › Adaptive Foreign Object Detection
- › Adjustable protection thresholds – OVP, OCP, OTP

[Click here](#) to learn more about our board!



### Material

- › Demo Receiver with Infineon Proprietary Protocol
- › USB-PD/PPS adapter
- › Quick start guide including:
  - WLC1150 IC datasheet
  - Board files with test reports
  - Application note



[www.infineon.com](http://www.infineon.com)

Published by  
Infineon Technologies AG  
Am Campeon 1-15, 85579 Neubiberg  
Germany

© 2023 Infineon Technologies AG.  
All rights reserved.

Document number: B191-I1388-V1-7600-EU-EC  
Date: 02/2023

### Please note!

This document is for information purposes only and any information given herein shall in no event be regarded as a warranty, guarantee or description of any functionality, conditions and/or quality of our products or any suitability for a particular purpose. With regard to the technical specifications of our products, we kindly ask you to refer to the relevant product data sheets provided by us. Our customers and their technical departments are required to evaluate the suitability of our products for the intended application.

We reserve the right to change this document and/or the information given herein at any time.

### Additional information

For further information on technologies, our products, the application of our products, delivery terms and conditions and/or prices, please contact your nearest Infineon Technologies office ([www.infineon.com](http://www.infineon.com)).

### Warnings

Due to technical requirements, our products may contain dangerous substances. For information on the types in question, please contact your nearest Infineon Technologies office.

Except as otherwise explicitly approved by us in a written document signed by authorized representatives of Infineon Technologies, our products may not be used in any life-endangering applications, including but not limited to medical, nuclear, military, life-critical or any other applications where a failure of the product or any consequences of the use thereof can result in personal injury.